



**Encore Commercial Products, Inc.**  
24370 Northwestern Hwy., Suite 250, Southfield, MI 48075  
Toll Free 1-866-737-8900 Fax 248-354-4095  
[www.postguard.com](http://www.postguard.com)

Title: Bend Guard Bollard

Drawing Number:

**Recommended Use:**

Concrete

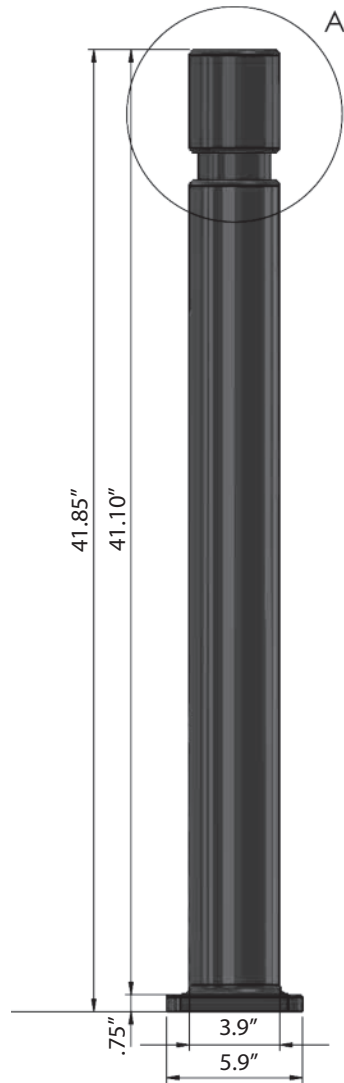
**Specifications:**

3.93" OD x 41.85" H and  
5-7/8" x 5-7/8" base plate

Date: August 21, 2013

Size: 3.93" Diameter

Page: 1 of 1



- Bend Guard is a Bolt Down type bollard with a Black Premium finish
- Made with rigid and impact resistant polyurethane
- Designed with impact flexibility near the base
- Bollard measurements: 3.93" OD x 41.85" H
- Base plate measurements: 5 7/8" x 5 -7/8" x 3/4" thick
- Recommend installing with 3/8" dia. x 4" H concrete anchors

