

**P12-P18
BP12-BP18
Series
Two and Four Post
Lift Tables
Installation, Operation
and Service Manual**

Model Number _____

Serial # _____

Date Placed in Service _____

IMPORTANT: READ CAREFULLY

BEFORE INSTALLING OR OPERATING LIFT

Part orders are subject to a \$50 minimum charge.



The Presto Five Year Warranty

Presto Lifts, Inc. warrants all of its products against defects in the welded structural frame and, if applicable, scissor legs from faulty material and workmanship for a period of five years from the date of invoice. To read more about the warranty on this equipment, please turn to the back inside cover of this owner's manual.

This manual was current at the time of printing. To obtain the latest, most updated version, please contact Presto Lifts Customer Service Department or go to our website: www.PrestoLifts.com -- you will find a complete list of current owner's manuals to print.

CONTENTS

SECTION 1: Introduction	4
SECTION 2: Safety	4
SECTION 3: Unpacking and Assembly	5
A. Inspection	5
SECTION 4: Operation	6
A. Method Of Operation	6
SECTION 5: Maintenance	6
A. Routine Inspection and Maintenance	6
B. Troubleshooting Maintenance	6
MANUAL POST TABLES (for models sold July 2005 & after)	9
BATTERY OPERATED POST TABLES (for models sold July 2005 & after).....	11
MANUAL POST TABLES (for models sold prior to July 2005)	14
BATTERY OPERATED POST TABLES (for models sold prior to July 2005)	16
ORDERING REPAIR PARTS	20
RESTOCKING POLICY	24
RETURN MAT'LS AUTHORIZATION (RMA) PROCEDURES	25
WARRANTY	26

LIST OF FIGURES & TABLES:

Figure 1: Foot Pump	8
Figure 2: Cylinder Seal Kit	13
Figure 3: Battery Operated "Typical"	18
Figure 4: C-M400-52	22
Table 1: Hydraulic Oil Specifications	21
Table 2: C-M400-52	23

SECTION 1

INTRODUCTION

This manual provides all the information for the safe and proper assembly, operation and maintenance of Presto Lift Models P18, P12, BP18 and BP12. It is important that this manual be read by all personnel involved with the installation, maintenance or operation of the scissor lift. These models are designed for in-plant and non-hazardous locations.

**WHERE UNIQUE SITUATIONS OR APPLICATIONS ARISE,
THAT ARE NOT COVERED IN THIS MANUAL,
CALL PRESTO LIFTS SERVICE DEPARTMENT
FOR FURTHER ASSISTANCE.**

SECTION 2

SAFETY

The safety of all persons installing, using, servicing, or working near the unit is of paramount concern to Presto Lifts. The lift is a powerful machine with moving parts, and is **capable of causing personal injury if proper precautions are not taken**. Therefore, throughout this manual, Presto Lifts has identified certain hazards, which may occur in the use of the unit, and provided appropriate **instructions** or precautions that should be taken to avoid these hazards. In some cases, Presto Lifts' has also pointed out the **consequences** that may occur if Presto Lifts' instructions or precautions are not followed. Presto Lifts uses the following nationally recognized system for identifying the severity of the hazards associated with its products:

DANGER – Immediate hazard that will result in severe personal injury or death.

WARNING – Hazard or unsafe practice that could result in severe personal injury or death.

CAUTION – hazard or unsafe practice that could result in minor personal injury or property damage.

In the interest of safety, please read the entire manual carefully. You must understand the material in this manual before you install, use, or service the unit. If you have any question about any of the instructions in this manual, please contact Presto Lifts Inc. Service Department at 1-800-343-9322.



DO NOT INSTALL OR OPERATE THIS LIFT WITHOUT FIRST READING AND UNDERSTANDING THIS MANUAL.

In order to provide for the safe operation of the lift, Presto Lifts has identified certain hazards, which may occur during the installation, maintenance and use of these lifts.

WARNING!

Do not perform any repair work on lifts with a load on the platform or with the table in a raised position. All personnel must stand clear of the lift when table is in motion.

- Do not put hands or feet under lift table.
- Do not work under table without securing lift.
- Do not stand, sit, or climb on the lift.
- Do not use the lift on soft, uneven or unstable surfaces.
- Do not exceed load capacity.
- Do not place load on moving lift.
- Place loads in center of table and secure loads properly.
- Do not raise or lower lift while maneuvering.
- Do not lower foot pump operated lifts quickly or with jerky motions.

SECTION 3 **UNPACKING AND ASSEMBLY**

Upon receipt of the P18, P12, BP18 or BP12 Lift, inspect the equipment completely to determine if there is any shipment damage and that the lift is complete. *Do not* use the lift if there appears to be any damage.

A. INSPECTION

Upon receipt of the P18, P12, BP18 or BP12 Lift, inspect the equipment completely to determine if there is any shipment damage and that the lift is complete. *Do not* use the lift if there appears to be any damage.

B. FOR BATTERY OPERATED UNITS

Plug in and charge overnight to assure battery is charged.

SECTION 4

OPERATION

A. MANUAL METHOD OF OPERATION:

- To raise, press on foot pedal to raise
- To lower slowly turn release knob counter clock-wise until the desired rate of decent is achieved.
- To lock lift in position, press down on the floor lock.

B. BATTERY OPERATED METHOD :

- To raise, select "up" on hand pendant.
- To lower select "down" on hand pendant.
- To lock lift into position press down on floor lock.

SECTION 5

BATTERY MAINTENANCE

A. PREPARING TO CHARGE A BATTERY

1. Always turn off E-stop and key switch before working with the batteries.
2. Be sure the area around the stacker and the battery is well ventilated while battery is being charged.
3. The battery terminals, connections and wiring connections should be clean and free of corrosion. When cleaning any of these components wear a face shield or other suitable protective eyewear.
4. Read, understand and follow all battery and battery charger manufacturer's specific precautions while working with and/or charging batteries.

B. PRECAUTIONS FOR GROUNDING AND AC POWER CORD CONNECTION

Charger should be grounded to reduce risk of electric shock. Charger is equipped with an electric cord having an equipment-grounding conductor and grounding plug. The plug must be plugged into an outlet that is properly installed and grounded in accordance with all local codes and ordinances.

DANGER

Never alter the AC cord or plug provided. If it will not fit outlet, have proper outlet installed by a qualified electrician. Improper connection can result in a risk of an electric shock.

C. BATTERY CHARGER CONNECTION PRECAUTIONS

CAUTION

Connect and disconnect the DC output plug (or clips) only when the AC cord is disconnected from the electric outlet. Never allow clips to touch each other.

1. To charge the unit, plug the charger into the 110 volt wall outlet. The charger is pre-wired to the battery.
2. Disconnect the charger from the 110 volt wall outlet once the indicators read fully charged.

SECTION 6

MAINTENANCE

Generally, the P or BP Series require little maintenance. However, routine inspection and maintenance will minimize costly repairs of hazardous conditions.

WARNING!

Never go under or service with a load on the table. If possible, service the lift in a down position.

A. ROUTINE INSPECTION AND MAINTENANCE

- All routine maintenance should be performed on a monthly basis.
- Lubricate wheels and all pivot points of the unit with a medium weight oil or light grease.
- Check wheels for wear and replace if necessary.
- Check for leaks by looking for telltale oil spots on the floor under the lift.
- Check oil level and fill if needed. Recommended hydraulic oil: Conoco Super Hydraulic 32
- Check water level of battery if needed.

B. TROUBLESHOOTING MAINTENANCE

If lift does not rise to full height:

It probably requires oil. (Check with lift in down position.) To fill cylinder with oil, follow these instructions.

There are two pipe plugs in the cylinder.. Remove both plugs. Put a good grade of hydraulic jack oil in the cylinder through the top hole. When the oil reaches the level of the bottom hole, replace both plugs. TOP PLUG IS A BREATHER PLUG. BE SURE TO REPLACE PLUGS IN THEIR PROPER PLACES.

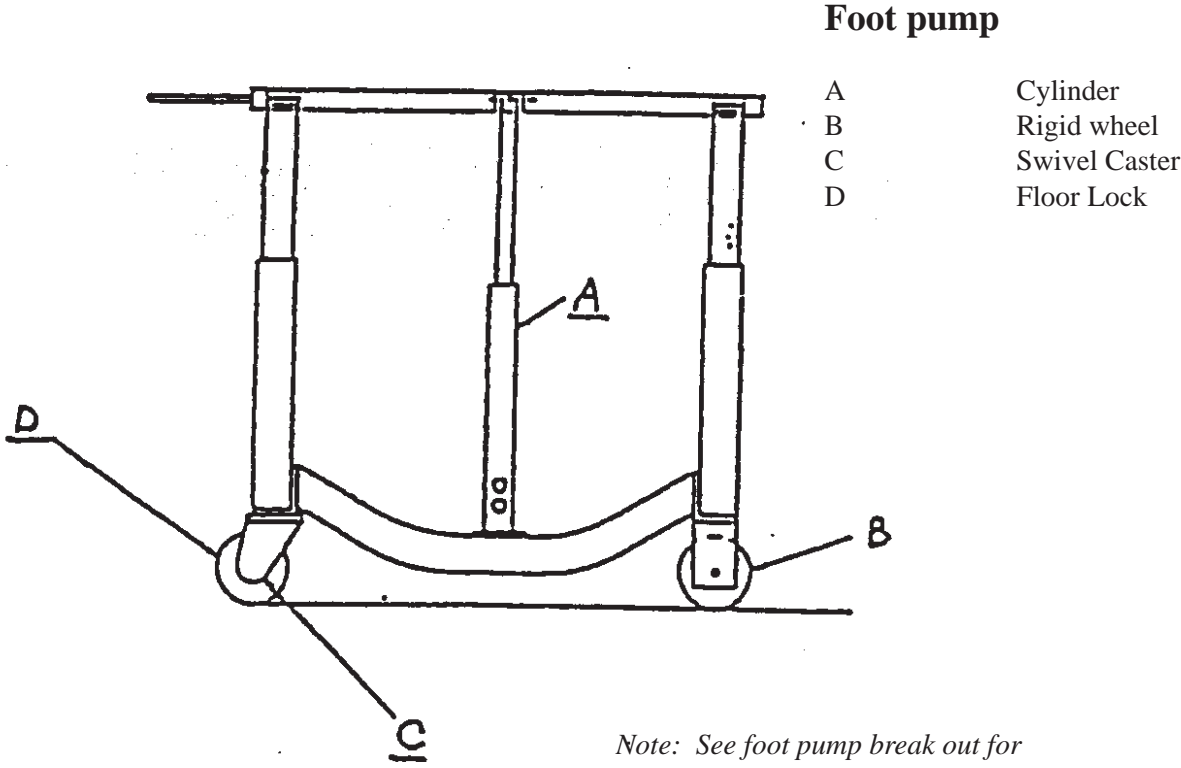
If Lift does not hold load, or tends to creep downward under a load:

1. Ram chevron set may be worn.
2. Dirt particle may be obstructing seating of the valve, allowing leakage.

If dirt particle is obstructing seating of the valve:

Open release valve by pressing down on release pedal. At the same time, pump foot lever three or four strokes. Do this three or four times. Then place some weight on the platform or forks and pump foot lever until platform reaches its full height. Now, lower lift six inches to a foot at a time. This will dislodge dirt and lift will work properly.

Figure 1: FOOT PUMP



Note: See foot pump break out for pump components.

MANUAL POST TABLES

**NOTE: All part numbers are for models sold July 2005 and after.
For older models please contact Presto Parts Department.**

REF	PART NUMBER	QTY	DESCRIPTION
P12-10			
A	P1210CYL	1	CYLINDER
D	P1218FL	1	FLOOR LOCK
B	P1218RC	2	5" X 2" FIXED WHEEL
C	P1218SC	2	5" X 2" SWIVEL CASTER
	P1218LV	1	FOOT LEVER
	CM437	1	FOOT LEVER PAD
P12-20			
A	P1220CYL	1	CYLINDER
D	P1218FL	1	FLOOR LOCK
B	P1218RC	2	5" X 2" FIXED WHEEL
C	P1218SC	2	5" X 2" SWIVEL CASTER
	P1218LV	1	FOOT LEVER
	CM437	1	FOOT LEVER PAD
P12-40			
A	P1240CYL	1	CYLINDER
D	P1218PL	1	FLOOR LOCK
B	P1218RC	2	5" X 2" FIXED WHEEL
C	P1218SC	2	5" X 2" SWIVEL CASTER
	P1218LV	1	FOOT LEVER
	CM437	1	FOOT LEVER PAD

MANUAL POST TABLES

NOTE: All part numbers are for models sold July 2005 and after.

For older models please contact Presto Parts Department.

REF	PART NUMBER	QTY	DESCRIPTION
P18-10			
A	P1810CYL	1	CYLINDER
D	P1218FL	1	FLOOR LOCK
B	P1218RC	2	5" X 2" FIXED WHEEL
C	P1218SC	2	5" X 2" SWIVEL CASTER
	P1218LV	1	FOOT LEVER
	CM437	1	FOOT LEVER PAD
P18-20			
A	P1820CYL	1	CYLINDER
D	P1218FL	1	FLOOR LOCK
B	P1218RC	2	5" X 2" FIXED WHEEL
C	P1218SC	2	5" X 2" SWIVEL CASTER
	P1218LV	1	FOOT LEVER
	CM437	1	FOOT LEVER PAD
P18-40			
A	P1840CYL	1	CYLINDER
D	P1218FL	1	FLOOR LOCK
B	P1218RC	2	5" X 2" FIXED WHEEL
C	P1218SC	2	5" X 2" SWIVEL CASTER
	P1218LV	1	FOOT LEVER
	CM437	1	FOOT LEVER PAD

BATTERY OPERATED POST TABLES

NOTE: All part numbers are for models sold July 2005 and after.

For older models please contact Presto Parts Department.

REF	PART NUMBER	QTY	DESCRIPTION
BP18-10			
A	1002-036-06	1	18" TRAVEL 1000 LBS. LINEAR ACTUATOR
F	C141D	1	25 AMP BATTERY
E	B249C	1	CHARGER
G	B2601RCVR	1	2 BUTTON UP/DOWN SWITCH W/CORD & RELAY
D	77248-6 M3	1	FLOOR LOCK
B	BP300	2	RIGID CASTER
C	BP301	2	SWIVEL CASTER
	P1810CYL	1	CYLINDER
BP18-20			
A	1002-036-06	1	18" TRAVEL 2000 LBS. LINEAR ACTUATOR
F	C141B	1	32 AMP BATTERY
E	B249C	1	10 AMP CHARGER
G	B2601RCVR	1	2 BUTTON UP/DOWN SWITCH W/CORD & RELAY
D	77248-6 M3	1	FLOOR LOCK
B	BP300	2	RIGID CASTER
C	BP301	2	SWIVEL CASTER
	P1820	1	CYLINDER

BATTERY OPERATED POST TABLES

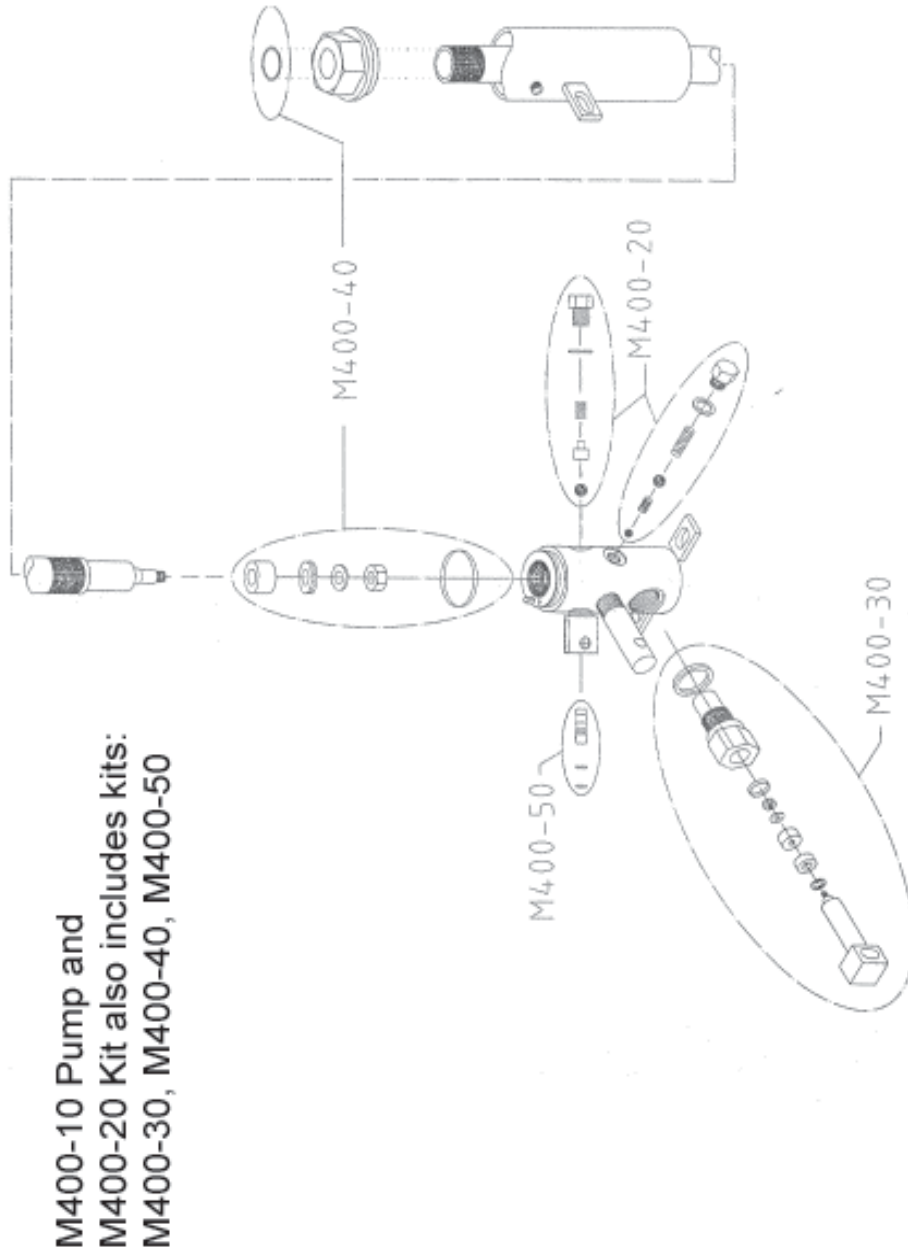
**NOTE: All part numbers are for models sold July 2005 and after.
For older models please contact Presto Parts Department.**

REF	PART NUMBER	QTY	DESCRIPTION
BP12-10			
A	1002-036-03	1	12" TRAVEL 1000 LBS. LINEAR ACTUATOR
F	C141D	1	25 AMP BATTERY
E	B249C	1	10 AMP CHARGER
G	B2601RCVR	1	2 BUTTON UP/DOWN SWITCH W/CORD & RELAY
D	77248-6 M3	1	FLOOR LOCK
B	BP300	2	RIGID CASTER
C	BP301	2	SWIVEL CASTER
	P1210CYL	1	CYLINDER
BP12-20			
A	1002-036-05	1	12" TRAVEL 2000 LBS. LINEAR ACTUATOR
F	C141B	1	32 AMP BATTERY
E	B249C	1	10 AMP CHARGER
G	B2601RCVR	1	2 BUTTON UP/DOWN SWITCH W/CORD & RELAY
D	77248-6 M3	1	FLOOR LOCK
B	BP300	2	RIGID CASTER
C	BP301	2	SWIVEL CASTER
	P1220CYL	1	CYLINDER

Figure 2: Cylinder Seal Kit

NOTE: All part numbers are for models sold prior to July 2005. Please have model & serial number ready when you contact Presto Parts Department.

M Series Cylinder Seal Kits



**M400-10 Pump and
M400-20 Kit also includes kits:
M400-30, M400-40, M400-50**

MANUAL OPERATED POST TABLES

NOTE: All part numbers are for models sold prior to July 2005. Please have model & serial number ready when you contact Presto Parts Department.

REF	PART NUMBER	QTY	DESCRIPTION
P12-5			
A	M400-36	1	CYLINDER
D	77248-6M3	1	FLOOR LOCK
B	C102PH	2	5" X 2" FIXED WHEEL
C	C101E-01	2	5" X 2" SWIVEL CASTER
P12-10			
A	M400-36	1	CYLINDER
D	77248-6M3	1	FLOOR LOCK
B	C102PH	2	5" X 2" FIXED WHEEL
C	C101E-01	2	5" X 2" SWIVEL CASTER
P12-20			
A	M400-36	1	CYLINDER
D	77248-6M3	1	FLOOR LOCK
B	C102PH	2	5" X 2" FIXED WHEEL
C	C101E-01	2	5" X 2" SWIVEL CASTER
P12-30			
A	M400-48-4K	1	CYLINDER
D	77248-6M3	1	FLOOR LOCK
B	C102PH	2	5" X 2" FIXED WHEEL
C	C101E-01	2	5" X 2" SWIVEL CASTER
P12-40			
A	M400-48-4K	1	CYLINDER
D	77248-6M3	1	FLOOR LOCK
B	C102PH	2	5" X 2" FIXED WHEEL
C	C101E-01	2	5" X 2" SWIVEL CASTER

MANUAL OPERATED POST TABLES

NOTE: All part numbers are for models sold prior to July 2005. Please have model & serial number ready when you contact Presto Parts Department.

REF	PART NUMBER	QTY	DESCRIPTION
P18-5			
A	M400-48	1	CYLINDER
D	77248-6M3	1	FLOOR LOCK
B	C102PH	2	5" X 2" FIXED WHEEL
C	C101E-01	2	5" X 2" SWIVEL CASTER
P18-10			
A	M400-48	1	CYLINDER
D	77248-6M3	1	FLOOR LOCK
B	C102PH	2	5" X 2" FIXED WHEEL
C	C101E-01	2	5" X 2" SWIVEL CASTER
P18-20			
A	M400-48	1	CYLINDER
D	77248-6M3	1	FLOOR LOCK
B	C102PH	2	5" X 2" FIXED WHEEL
C	C101E-01	2	5" X 2" SWIVEL CASTER
P18-30			
A	M400-48-4K	1	CYLINDER
D	77248-6M3	1	FLOOR LOCK
B	C102PH	2	5" X 2" FIXED WHEEL
C	C101E-01	2	5" X 2" SWIVEL CASTER
P18-40			
A	M400-48-4K	1	CYLINDER
D	77248-6M3	1	FLOOR LOCK
B	C102PH	2	5" X 2" FIXED WHEEL
C	C101E-01	2	5" X 2" SWIVEL CASTER

BATTERY OPERATED POST TABLES

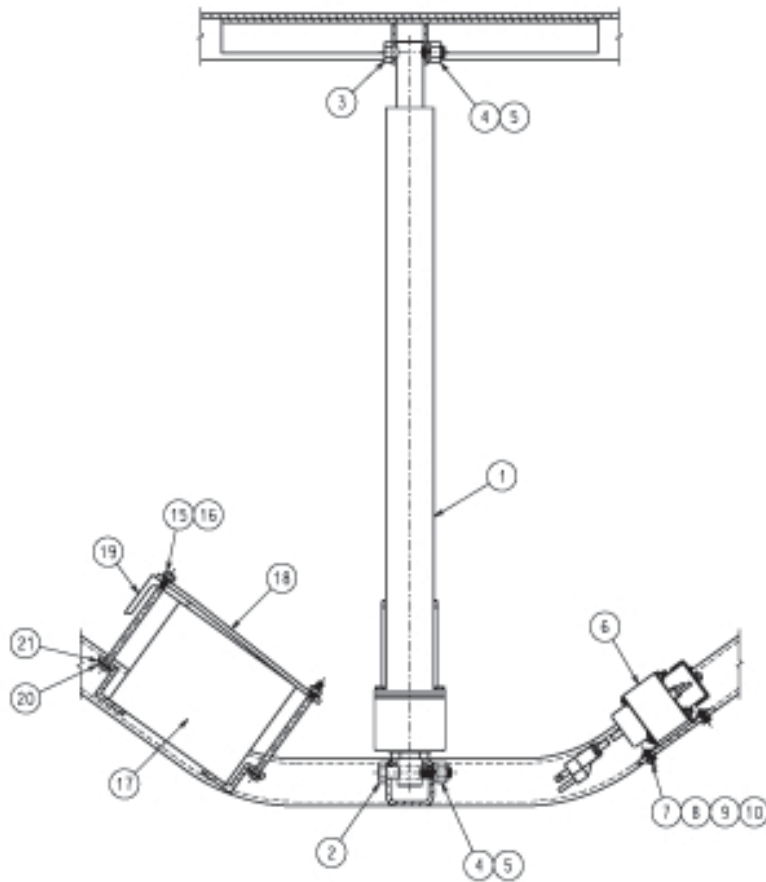
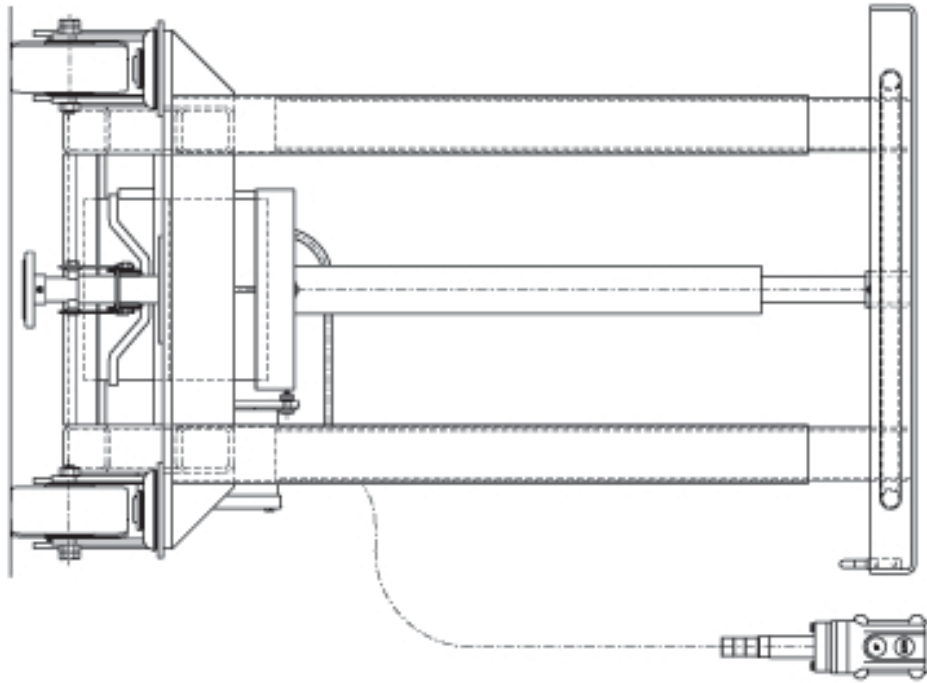
NOTE: All part numbers are for models sold prior to July 2005. Please have model & serial number ready when you contact Presto Parts Department.

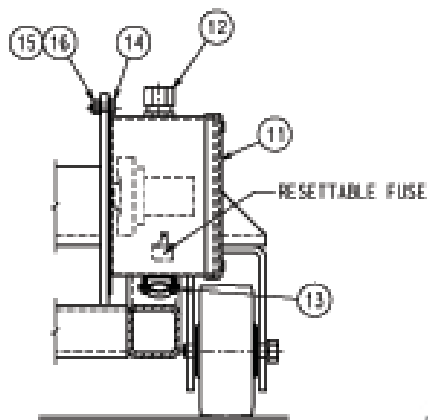
REF	PART NUMBER	QTY	DESCRIPTION
BP18-5			
A	1002-036-04	1	18" TRAVEL 1000 LBS. LINEAR ACTUATOR
F	C141D	1	25 AMP BATTERY
E	B249C	1	5 AMP CHARGER
G	80000294	1	2 BUTTON UP/DOWN SWITCH W/CORD
D	77248-6M3	1	FLOOR LOCK
B	C102PH	2	5" X 2" FIXED WHEEL
C	C101E-01	2	5" X 2" SWIVEL CASTER
BP18-10			
A	1002-036-04	1	18" TRAVEL 1000 LBS. LINEAR ACTUATOR
F	C141D	1	25 AMP BATTERY
E	B249C	1	5 AMP CHARGER
G	80000294	1	2 BUTTON UP/DOWN SWITCH W/CORD
D	77248-6M3	1	FLOOR LOCK
B	C102PH	2	5" X 2" FIXED WHEEL
C	C101E-01	2	5" X 2" SWIVEL CASTER
BP18-20			
A	1002-036-06	1	18" TRAVEL 2000 LBS, LINEAR ACTUATOR
F	C141D	1	25 AMP BATTERY
E	B249C	1	5 AMP CHARGER
G	80000294	1	2 BUTTON UP/DOWN SWITCH W/CORD
D	77248-6M3	1	FLOOR LOCK
B	C102PH	2	5" X 2" FIXED WHEEL
C	C101E-01	2	5" X 2" SWIVEL CASTER

BATTERY OPERATED POST TABLES

NOTE: All part numbers are for models sold prior to July 2005. Please have model & serial number ready when you contact Presto Parts Department.

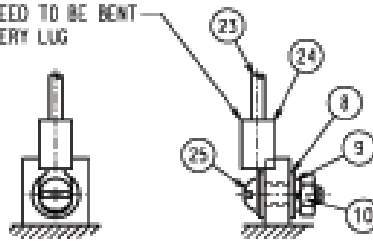
REF	PART NUMBER	QTY	DESCRIPTION
BP12-5			
A	1002-036-03	1	12" TRAVEL 1000 LBS. LINEAR ACTUATOR
F	C141D	1	25 AMP BATTERY
E	B249C	1	5 AMP CHARGER
G	80000294	1	2 BUTTON UP/DOWN SWITCH W/CORD
D	77248-6M3	1	FLOOR LOCK
B	C102PH	2	5" X 2" FIXED WHEEL
C	C101E-01	2	5" X 2" SWIVEL CASTER
BP12-10			
A	1002-036-03	1	12" TRAVEL 1000 LBS. LINEAR ACTUATOR
F	C141D	1	25 AMP BATTERY
E	B249C	1	5 AMP CHARGER
G	80000294	1	2 BUTTON UP/DOWN SWITCH W/CORD
D	77248-6M3	1	FLOOR LOCK
B	C102PH	2	5" X 2" FIXED WHEEL
C	C101E-01	2	5" X 2" SWIVEL CASTER
BP12-20			
A	10025-036-06	1	12" TRAVEL 2000 LBS, LINEAR ACTUATOR
F	C141D	1	25 AMP BATTERY
E	B249C	1	5 AMP CHARGER
G	80000294	1	2 BUTTON UP/DOWN SWITCH W/CORD
D	77248-6M3	1	FLOOR LOCK
B	C102PH	2	5" X 2" FIXED WHEEL
C	C101E-01	2	5" X 2" SWIVEL CASTER





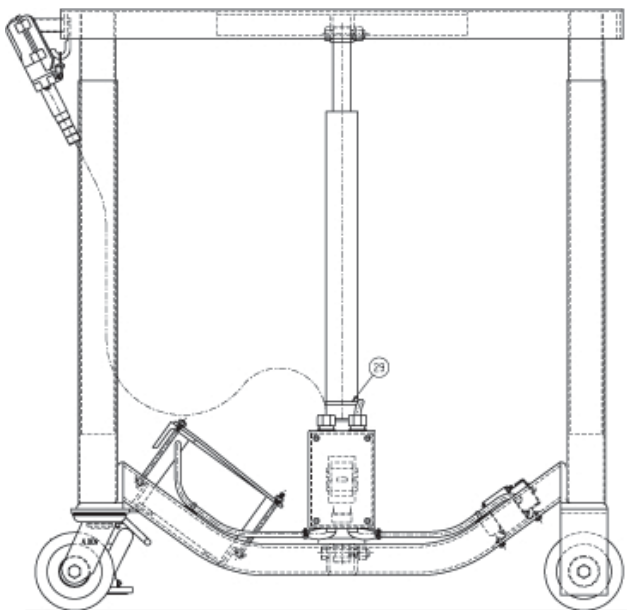
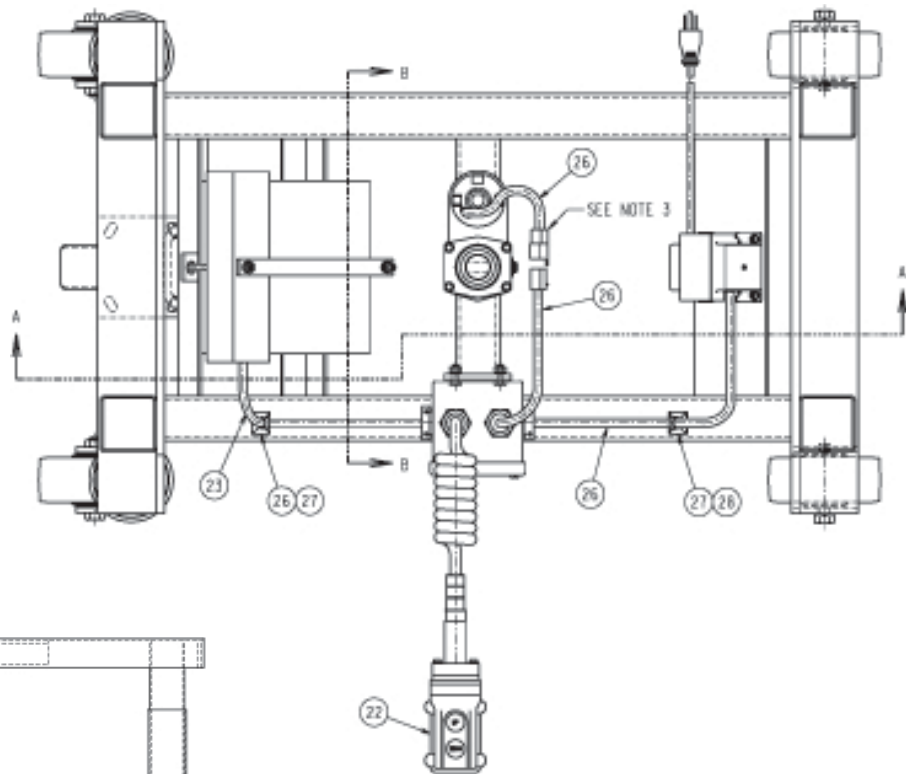
SECTION B-B
SCALE: 1/4

ITEM 24 MAY NEED TO BE BENT
TO CLEAR BATTERY LUG



BATTERY LUG DETAIL

SCALE: FULL



Ordering Replacement Parts

Presto Lifts has carefully chosen the components in your unit to be the best available for the purpose. Replacement parts should be identical to the original equipment. Presto Lifts will not be responsible for equipment failures resulting from the use of incorrect replacement parts or from unauthorized modifications to the unit.

Presto Lifts can supply all replacement parts for your lift. With your order, please include the model number and the serial number of the unit. You can find these numbers on the name plate.

To order replacement parts, please call the Presto Parts Department. Parts are shipped subject to the following terms:

- FOB factory
- Returns only with the approval of our parts department.
- Credit cards preferred (except parts covered by warranty).
- Freight collect for truck (except parts covered by warranty).
- Freight – prepaid and invoice for small parcel shipments (except parts covered by warranty).

Parts replaced under warranty are on a “charge-credit” basis. We will invoice you when we ship the replacement part, then credit you when you return the worn or damaged part.

Presto Parts Department

21 Park Street
Attleboro, MA 02703

Telephone: 800-343-9322

FAX: 888-788-6496

Email: service@PrestoLifts.com

www.PrestoLifts.com

Table 1 – Hydraulic Oil Specifications

If the lift will be used at normal ambient temperatures, Presto Lifts supplies the unit with Conoco Super Hydraulic 32 oil. This may be replaced by any other good quality oil with 150 SSU at 100° F and rust and oxidation inhibitors and anti-wear properties.

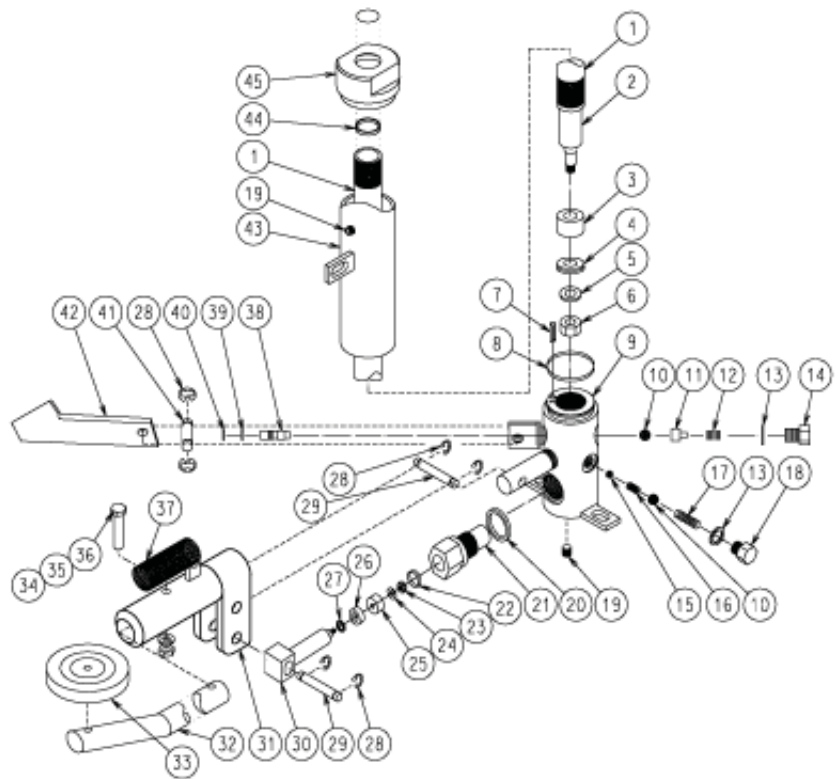
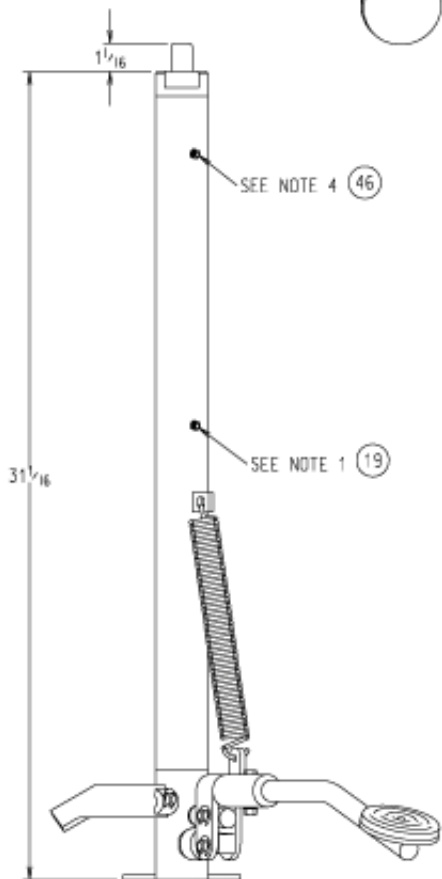
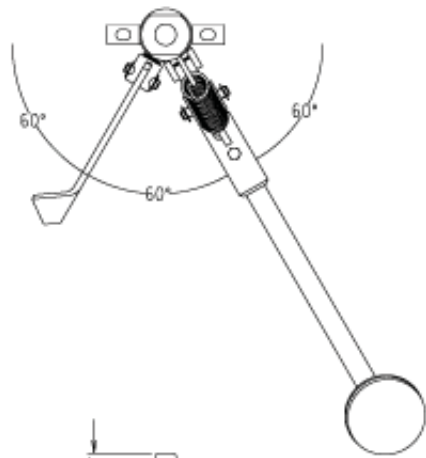
If the lift will be used at ambient temperatures below 0°F, use aircraft hydraulic oil. Use Type 15 aircraft hydraulic oil.

The following are equivalent to CONOCO SUPER HYDRAULIC 32:

TYPE	MANUFACTURER
AW32	CITGO
DTE 24	EXXON/MOBIL
NUTO H32	EXXON/MOBIL
AMOCO AW32	CHEVRON (AMOCO CO.)

CAUTION!

It is very important to keep the hydraulic oil free of dirt, dust, metal chips, water, and other contamination. Most of the problems with hydraulic systems are caused by contamination in the oil.



NOTES:

1. USE NEILVIS AW41 OR EQUIVALENT HYDRAULIC OIL. FILL TO LOWER HOLE IN BARREL.
2. MAXIMUM OIL CAPACITY- 18 CUBIC INCHES. APPROX. 15 CUBIC INCHES REQUIRED FOR MAX STROKE.
3. MAXIMUM STROKE- 24-3/4".
4. UPPER PLUG TO BE REPLACED WITH ITEM 46 FOR VENTING.

NOTE: All part numbers are for models sold prior to July 2005. Please have model & serial number ready when you contact Presto Parts Department.

46	1	BREATHER	M427
45	1	CYLINDER NUT	30001325
44	1	RAM SEAL O-RING .813 ID X 1.06 OD	M424
43	1	OUTER CYLINDER ASSY. 52" LIFT	M426-52
42	1	RELEASE LEVER	M402
41	1	PIN	M403
40	1	RING, BACKUP SPLIT	M441
39	1	RELEASE PIN O-RING	M440
38	1	PIN. RELEASE	M442
37	1	PUMP LEVER RETURN SPRING	M429
36	1	NUT, 1/4"	N0040
35	1	LOCK WASHER. 1/4"	N0240
34	1	SCREW, HEX HD 1/4-20 X 1-3/4" LG	N0810
33	1	FOOT LEVER PAD	M437
32	1	FOOT LEVER	M436
31	1	PUMP LEVER BRACKET ASSEMBLY	80000835
30	1	PLUNGER	457
29	2	PIN	M423
28	6	RETAINING RING	PSL28A
27	1	BEARING PLATE O-RING	M407B
26	1	PLUNGER GUIDE BEARING PLATE	M407A
25	1	PLUNGER CUP	M448
24	1	WASHER, FLAT STL #10	M447
23	1	PLUNGER NUT 10-24 SELF-LOCK	M446
22	1	PLUNGER O-RING	M445
21	1	SLEEVE, PLUNGER	M444
20	1	GASKET, 1.25 DIA	M443
19	3	PLUG	N1200
18	1	BOLT, PUMP VALVE	M415
17	1	SPRING, PUMP CHECK	M413
16	1	SPRING, PUMP INTAKE	M438
15	1	PUMP INTAKE BALL, 1/4"	M439
14	1	BOLT, RELEASE	M419
13	2	GASKET, 23/32 OD X 1/2 ID X 3/32 THK	M414
12	1	SPRING, RELEASE	M417
11	1	POPPET	M416A
10	2	PUMP CHECK BALL 3/8"	M412
9	1	PUMP BODY	M410
8	1	RESERVOIR SEAL O-RING	M420
7	1	PIN, SPRING ROLL	M410-D
6	1	NUT, RAM CUP	M435
5	1	WASHER, RAM	M434
4	1	SEAL, DEEP Z	M433-01
3	1	PLATE, RAM GUIDE BEARING	M432-01
2	1	RAM, 52" LIFT	M431-52
1	1	CYLINDER, INNER 52" LIFT	M430-52
ITEM	QTY	DESCRIPTION	PART NO.

RESTOCKING POLICY

Presto Lift, Inc.'s goal is for you to be satisfied with your order. Merchandise may be returned, but returns will be subject to a restocking fee to cover the costs Presto Lift, Inc. incurs which include but are not limited to handling, storage of the units, etc. Presto Lift, Inc. will issue refurbishing costs where end-user wear is apparent. We would prefer to not charge for these costs but find it necessary any apologize for any inconvenience. Please review the RETURN MATERIALS AUTHORIZATION (RMA) PROCEDURES.

PARTS

Standard parts may be returned with a 20% restocking fee. Modified or custom-engineered parts are not returnable. Unfortunately, due to potentially concealed damage, all sales of electrical assemblies are final.

QUALITY ISSUES

Should you feel there is a quality problem, please contact the seller to ask questions and gather information on how to rectify the issue. Presto Lift Inc. reserves the right to determine potential credits, as a result of factory defects, based on its inspection of the merchandise.

GENERAL

All products shipped from our factory have passed Quality Assurance inspection and testing. The carrier of choice has signed for, and accepted the product in new working condition. The customer should inspect to ensure it is not received damaged, has no concealed damage or is not incomplete. Parts orders are determined to be complete based upon Presto Lift, Inc. inspection sheets and carrier shipping weights.

RETURN MATERIALS AUTHORIZATION (RMA) PROCEDURES

Although Presto Lift, Inc. is not legally obligated to issue a credit for any merchandise, the RETURN MATERIALS AUTHORIZATION (RMA) PROCEDURE is provided as a courtesy to our customers in the event they do not receive what they wanted.

If a customer wishes to return a Presto Lift, Inc. product, the first step in the process is to request an RMA number from Presto Lift, Inc.'s Customer Service Department. This request must be made on or before the thirtieth (30th) calendar day following the date of Presto Lift, Inc.'s invoice for the merchandise being returned.

The RMA number must appear on the outside of any packaging material for a return to be accepted and processed by Presto Lift, Inc. Customers shipping returns back to Presto Lift, Inc. from the Continental US, Canada and Mexico have fourteen (14) days from the effective date of the RMA to have the merchandise arrive freight prepaid at Presto Lift, Inc. Returns from locations other than the Continental US, Canada and Mexico must be shipped within the thirty (30) day period to arrive Free On Board (FOB) at Presto Lift Inc as soon as practical. If a customer believes Presto Lift, Inc.'s merchandise is defective, freight will be reimbursed to the original "Bill To" on the invoice if Presto Lift Inc. finds that the merchandise is defective.

Please remember that merchandise with RMA's coming back to Presto Lift Inc. from the Continental US, Canada and Mexico will not be accepted by Presto Lift Inc. if the returned goods do not arrive freight prepaid at Presto Lift Inc. within the thirty (30) day effective period.

All credits issued are less restocking fees as applicable, plus any assessed outbound/inbound in-transit damages.

Return addresses: please refer to your RMA for the address to which your product should be returned.

Presto Lift Inc.
715 Highway 77
Manila, Arkansas 72442

Telephone: 800-343-9322
Fax: 888-788-6496

Presto Lifts Limited Warranty Policy

Presto Lifts warrants all of its products against defects in the welded structural frame and, if applicable, scissor legs from faulty material and workmanship for a period of five (5) years from the date of invoice.

All batteries are covered under a separate limited warranty from the battery manufacturer for a period of one year from the date of invoice.

All other components have a limited warranty against defects in faulty material and workmanship for a two (2) year period from the date of invoice and 30 day limited warranty on labor. Please note that prior authorization from Presto Lifts is required on all warranty work.

There are no implied warranties of any kind, more specifically, there are no warranties of merchantability or fitness for any particular purpose. Presto Lifts' sole warranty shall be as set forth in this limited warranty.

Presto Lifts will elect to repair or replace a defective component without charge, if any components should become defective within the limited warranty period. Proof of purchase is required for warranty. The charge for shipping the defective component is the responsibility of the buyer and must be accompanied with an RMA number. The shipping charge to return the component to the buyer is the responsibility of Presto Lifts, Inc.

This limited warranty does not cover labor expense for removal or reinstallation of components after thirty days. This limited warranty shall not cover, among other things: damages resulting from foreign matter or water, failure to provide reasonable and necessary maintenance, and if applicable, use of product while charger is plugged into an AC outlet, or failure to follow operating instructions. The limited warranty is not valid for damage resulting from negligence, accident, unreasonable use, abuse or misuse, exceeding data plate capacities or altering the product without Presto Lifts authorization.

Presto Lifts expressly disclaims and excludes any liability for consequential, incidental, indirect or punitive damages or financial loss to people or property resulting from any breach of warranty or the operation or failure of this product.

Presto Lifts makes no representation that this product complies with local, state, or federal safety/product standards codes. Should this product fail to comply in any way with those codes, it shall not be considered a defect of materials or workmanship. Presto Lifts shall not be held liable for any damages resulting from noncompliance. It is the dealer's responsibility to exercise this limited warranty. This limited warranty is provided to the original purchaser (defined as the original end user) and is nontransferable. This constitutes the complete and final agreement involving Presto Lifts and limited warranty obligations for products.

MANY NEEDS REQUIRE MANY OPTIONS...

Presto LIFTS



LET PRESTO MEET THOSE NEEDS!

Call Presto Sales
for stock or
customized lift inquiries:
800-343-9322

Email: sales@prestolifts.com

