

Modular Drawers R Line

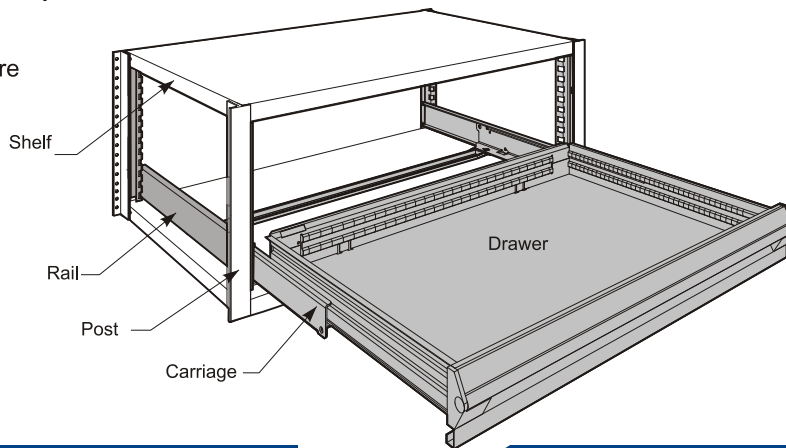
Assembly Guide



For Spacesaver Shelving

Also for Aurora and Tensco Office Shelving

- All required hardware is included.
- Please check the contents with your packing slip.
- Read instructions carefully.
- Save this document for future reference.



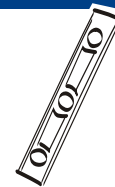
Safety first !
Always wear safety gloves.

Hardware

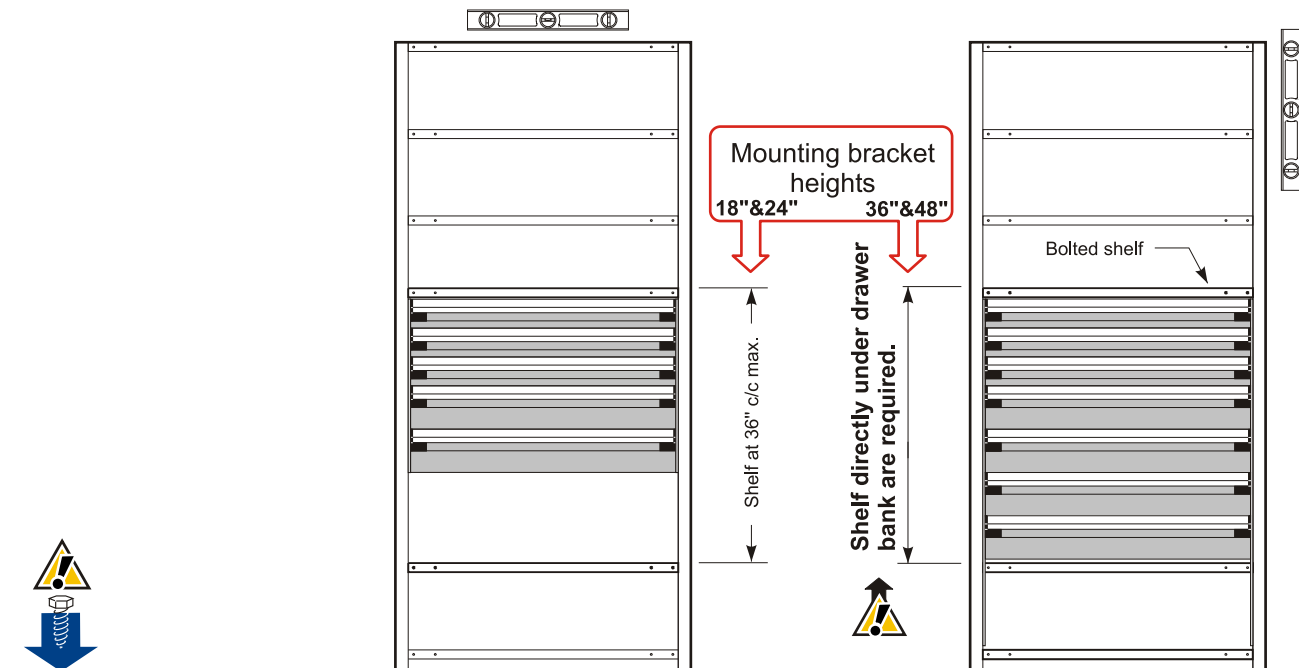
Tapping screw
Vis taraudeuse
3D6808L2



Tools Required



Warning! Read Before Installation

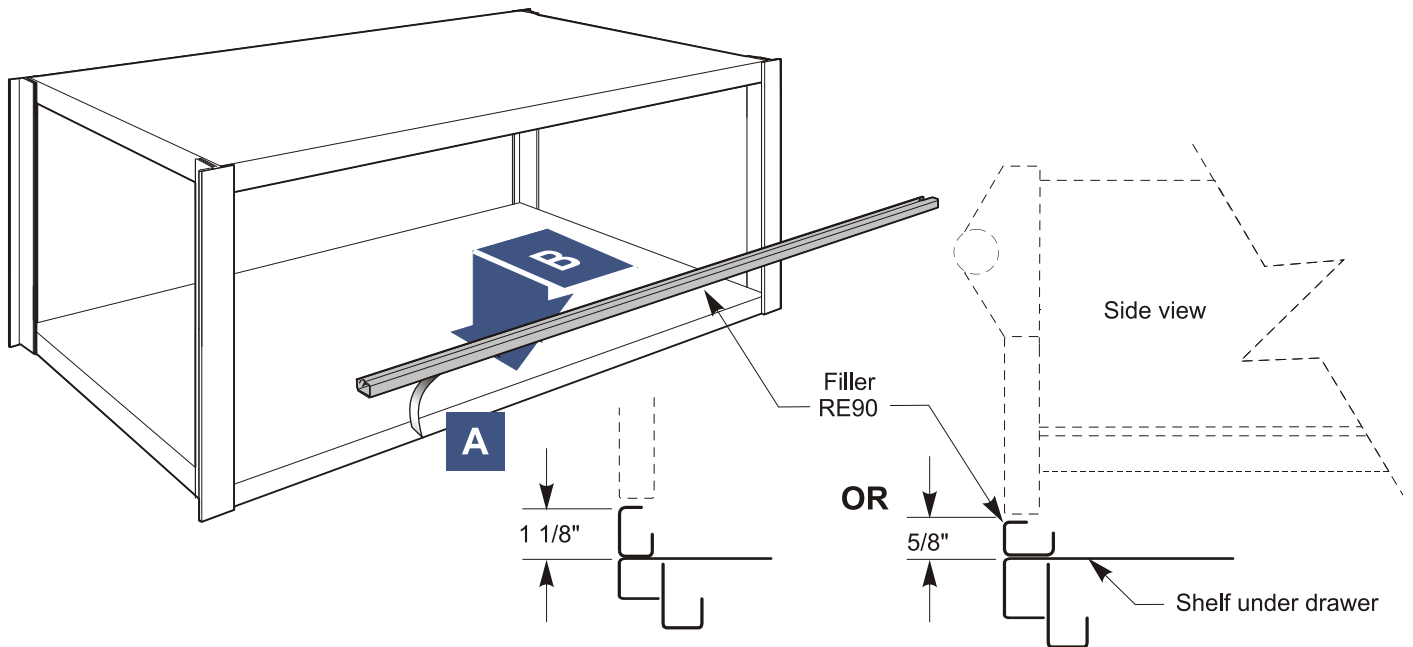


Shelving unit **must** be anchored to the floor or to the wall structure.

FAILURE TO INSTALL SHELVING WITH DRAWERS ACCORDING TO THE ABOVE MENTIONED REQUIREMENTS & THIS ASSEMBLY GUIDE INSTRUCTIONS COULD RESULT IN SERIOUS BODILY INJURY AND/OR PROPERTY DAMAGE.

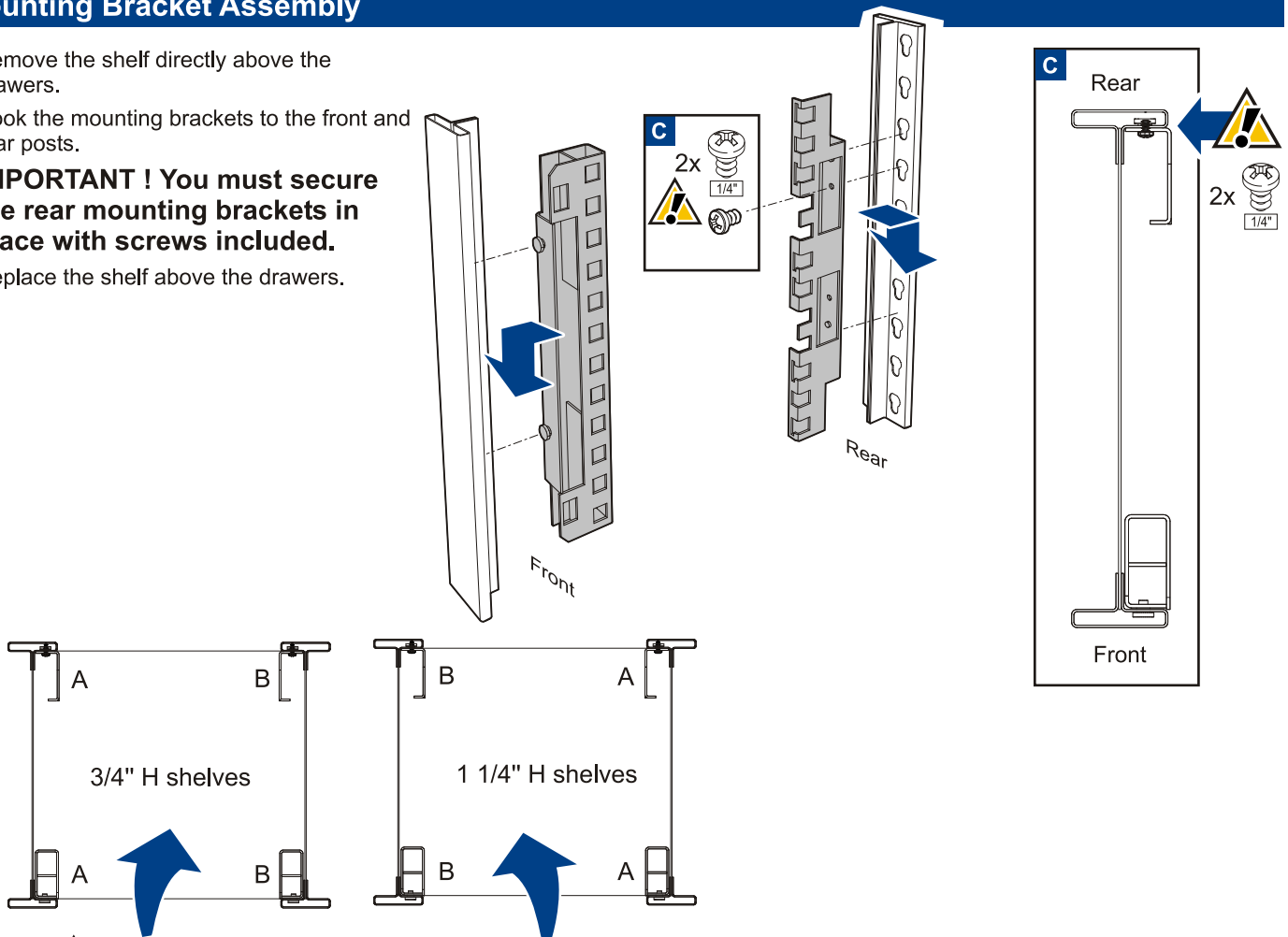
RE90 Filler Assembly

Optional component



Mounting Bracket Assembly

- A** Remove the shelf directly above the drawers.
- B** Hook the mounting brackets to the front and rear posts.
- C** **IMPORTANT ! You must secure the rear mounting brackets in place with screws included.**
- D** Replace the shelf above the drawers.

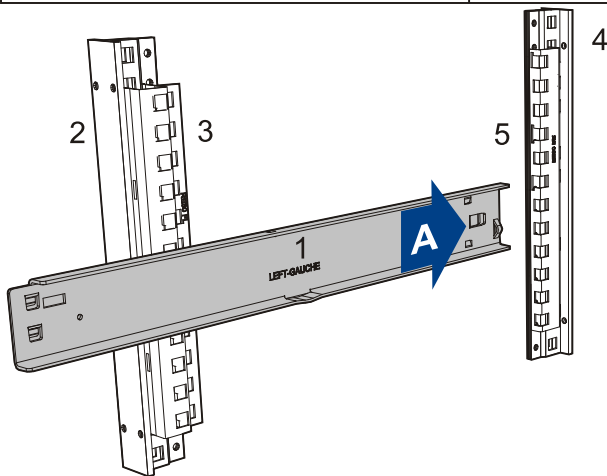
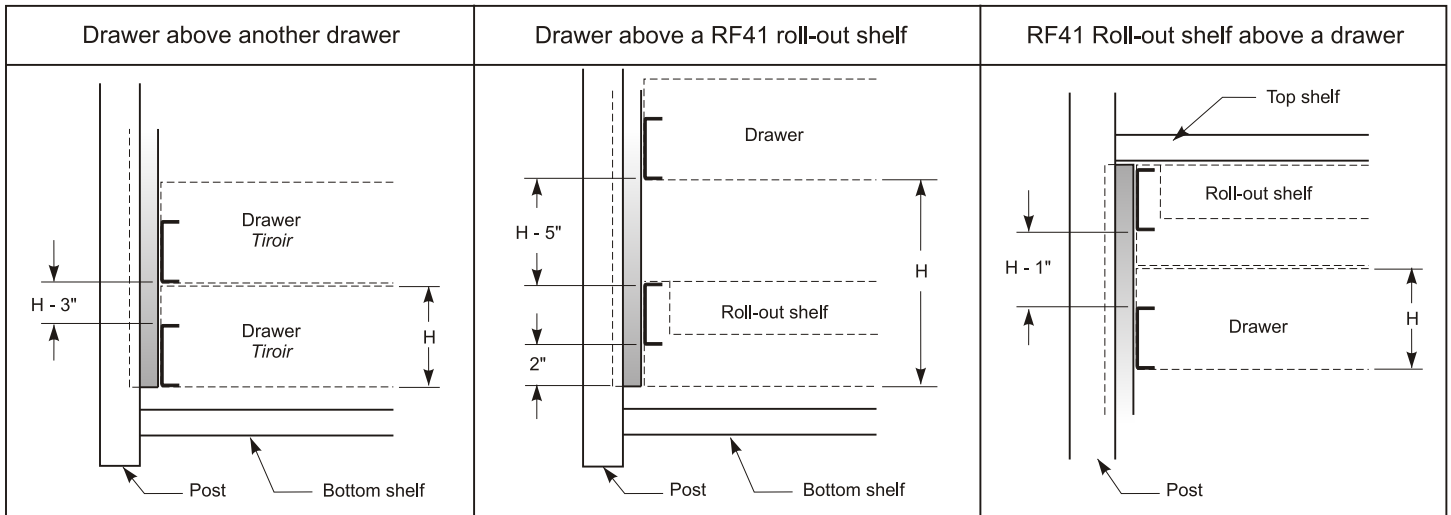


IMPORTANT: Mounting brackets are stamped with letter "A" & "B" for installation depending on shelf height.

Rail Assembly

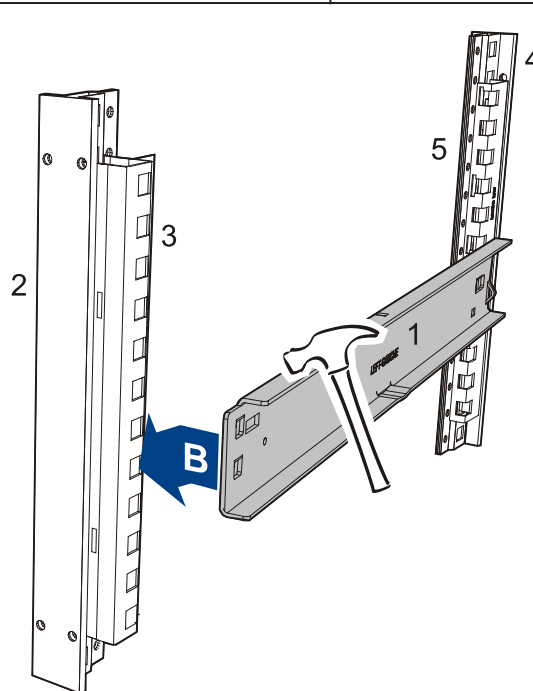
To install the rails, start from the bottom.
 • Note that there is right and left rails.

Free Space Between Rails



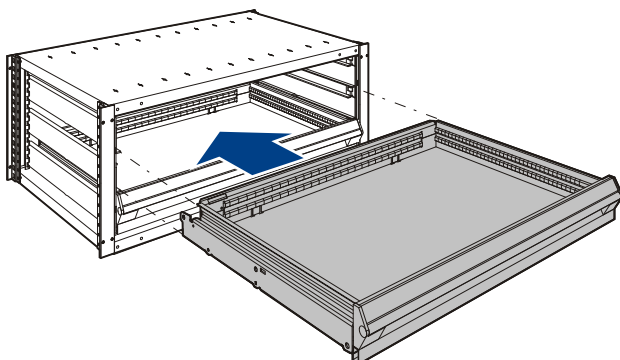
A Insert the rear hook of the rail into the rectangular slot of the rear mounting bracket.

B Insert the front rail hooks into the square openings of the front mounting bracket. Use a hammer to secure the rail in place.



- 1 Left rail
- 2 Front post
- 3 Front mounting bracket
- 4 Rear post
- 5 Rear mounting bracket

Drawer Insertion

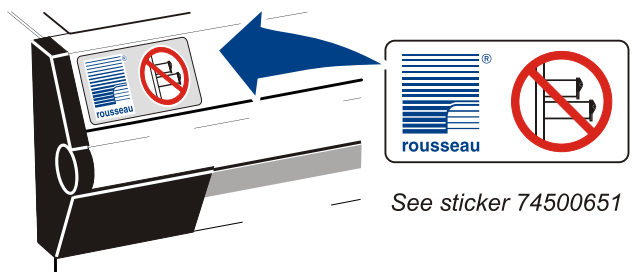


IMPORTANT

Security Sticker



This **SECURITY** sticker, included in the assembly kit, must be placed on the top drawer.



See sticker 74500651