


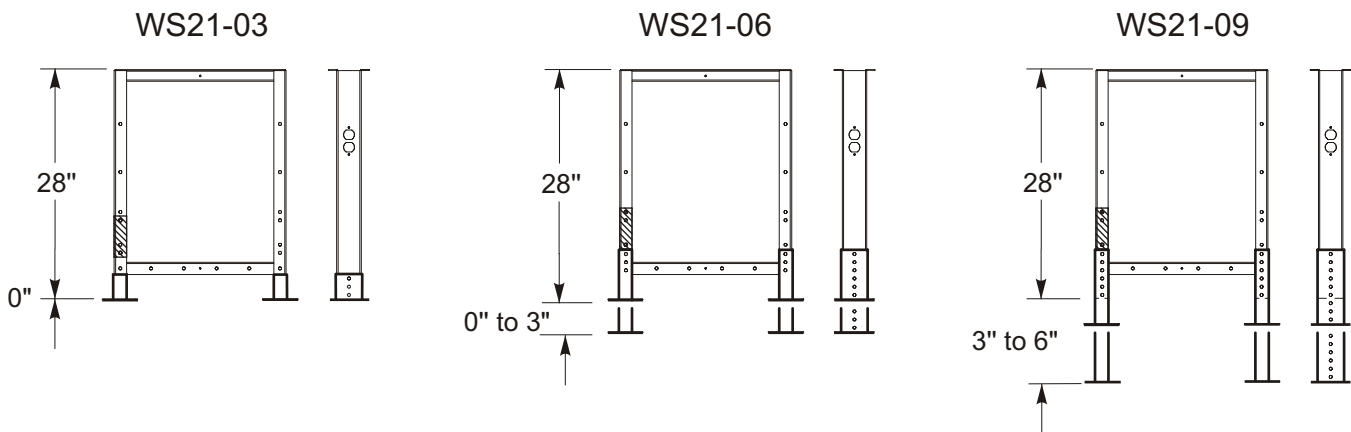
Please be certain to have the latest version of this technical document before using it.

- Please refer to assembly guide W10 for more information.

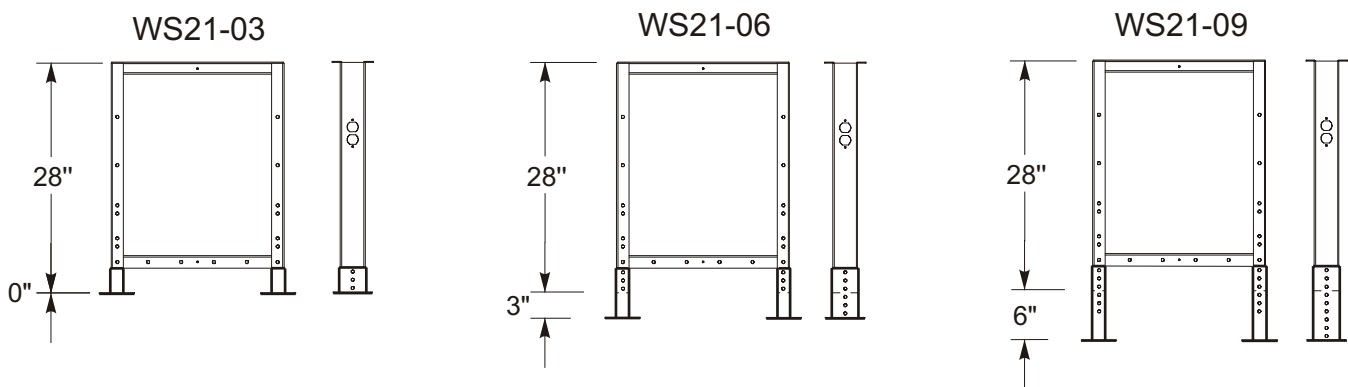
- Légend:

 =Position of stringer


Open leg 28" H + extensions



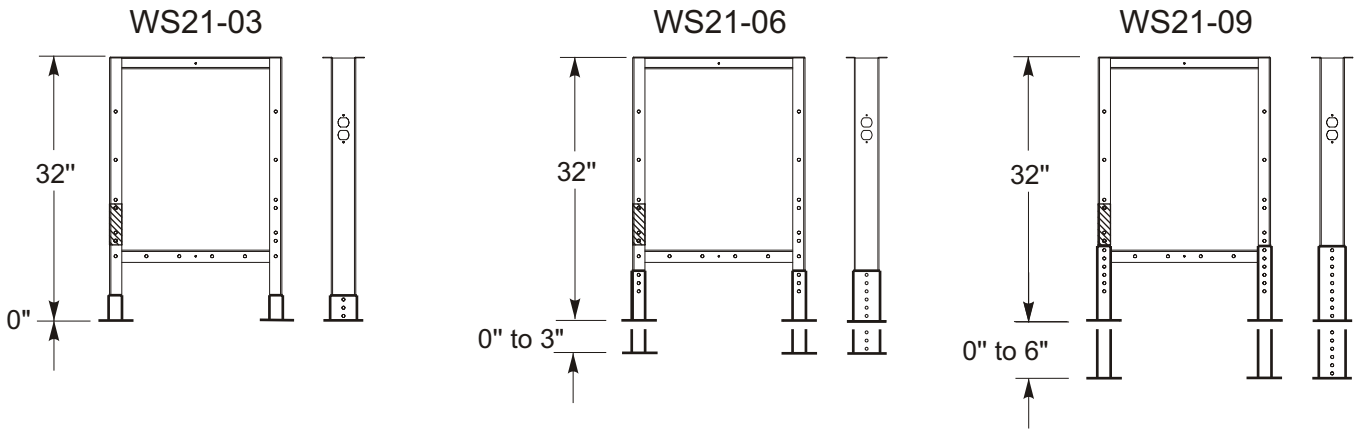
Closed leg 28" H + extensions



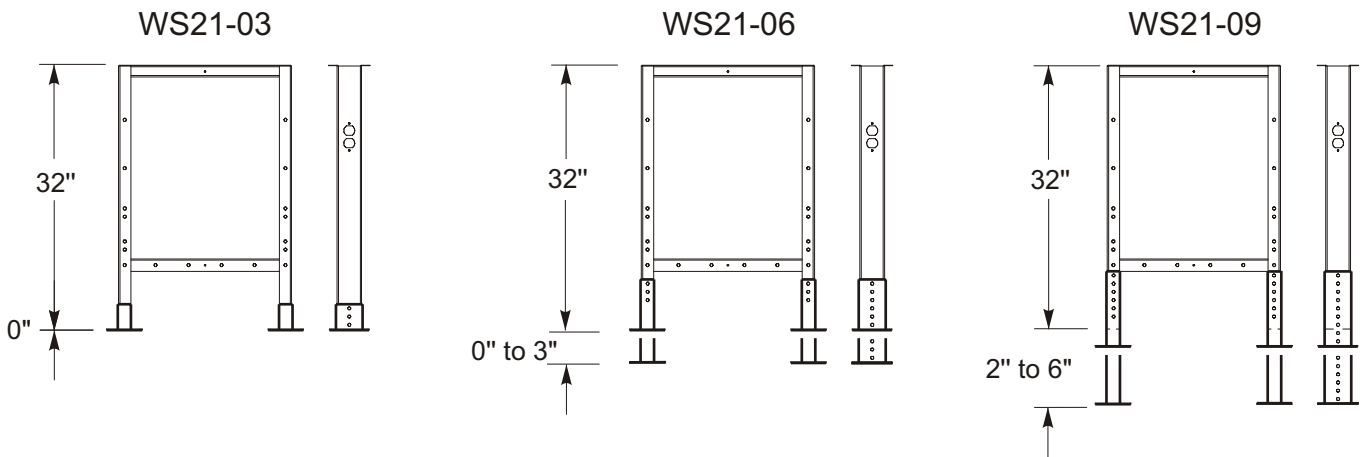
• Légend:

 = Position of stringer

Open leg 32" H + extensions



Closed leg 32" H + extensions



Open and closed legs 34" H + extensions

