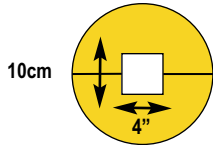




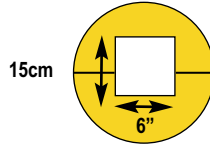
## Sizes and Specifications

### Sizes

← 14"/35cm →

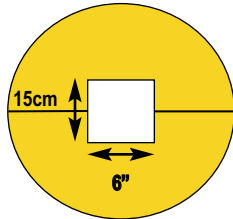


4"/ 10cm Square

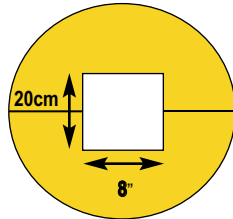


6"/ 15cm Square

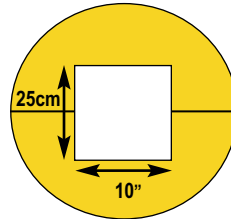
← 24"/61cm →



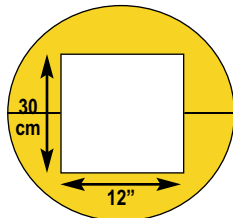
6"/ 15cm Square



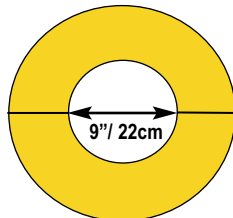
8"/ 20cm Square



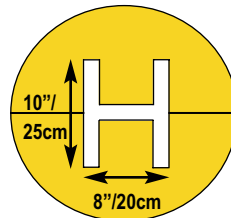
10"/ 25cm Square



12"/ 30cm Square

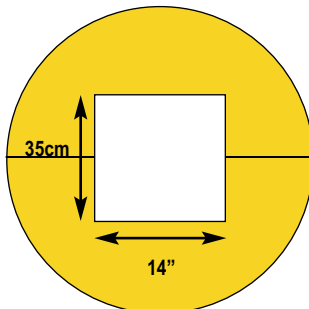


9"/ 22cm Round

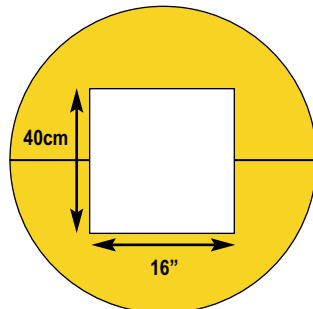


8"x10"H / 20x25cm H

← 33"/84cm →

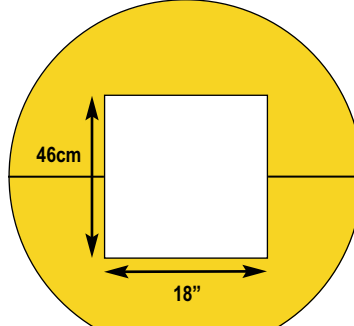


14"/ 35cm Square

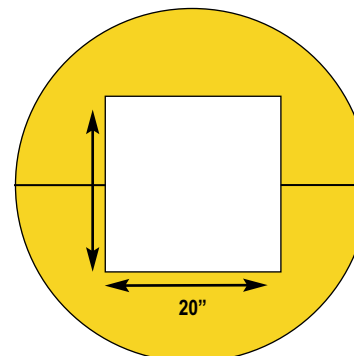


16"/ 40cm Square

← 38"/97cm →



18"/ 46cm Square



20"/ 51cm Square



**Protect**

**one of your**

**biggest capital**

**investments with**

**Column Sentry®**













- ▶ All Column Sentry® products are 42" (107cm) high
- ▶ 4"/10cm and 6"/15cm thin products are 14" outside diameter and weigh 22 lbs.(10kg)
- ▶ Sizes up to 12"/ 30cm square are 24"(61cm) (d) and weigh 56lbs. (31kg)
- ▶ 14"/35cm and 16"/40cm sizes are 33" (84cm) (d) and weigh 75lbs. (34kg)
- ▶ 18"/46cm and 20"/51cm products are 38" (97cm) (d) and weigh 90 lbs. (41kg)



[www.sentrypro.com](http://www.sentrypro.com)



## Specifications

Column Sentry Size	Fits Square	Fits H	Fits Round	Material Properties
 4" Square (10cm Square)	Up to 4"(10cm)	Up to 4"x4" (10 x 10cm)	Up to 4" (10cm) diameter	<ul style="list-style-type: none"> <li>▶ Product is composed of Linear Low Density Polyethylene (LLDPE)</li> <li>▶ Stress-crack resistance: 500 hrs per ASTM D-1693 (100% Igepal)</li> <li>▶ Impact strength at - 40 °C: 160 ft.-lbs.(217J)</li> <li>▶ Approved to UL94HB Burn rate &lt;40mm/minute per ULHB94 protocol</li> <li>▶ Elongation at break: 500% per ATSM D-638 Heat Distortion Temp. per ASTM D-648 = 54C (129F)</li> <li>▶ Hook &amp; Loop fastener shear strength: 13psi ( 89 N/m<sup>2</sup>)</li> <li>▶ UV Stabilized: 8000 hrs. in test chamber (equivalent to 4 years in Florida sun).</li> <li>▶ FDA compliant 21 CFR 177.520/3.1 (base resin)</li> </ul>
 6" Square (15cm Square)	>4" (10cm) to 6" (15cm)	>4" (10cm) to 6" x 6" (15 x 15cm)	>4" (10cm) to 6" (15cm) diameter	
 8 x 10 H/ (20x25 cm H)	N/A	8" (20cm) Web, up to 10"(25cm) flange	N/A	
 6" Square (15cm Square)	Up to 6"(15cm)	Up to 6"x6" (15 x 15cm)	Up to 6" (15cm) diameter	
 8" Square (20cm Square)	>6" (15cm) to 8" (20cm)	>6" (15cm ) to 8" x 8" (20 x 20cm)	>6" (15cm) to 8" (20cm) diameter	
 10" Square (25cm Square)	>8" (20cm) to 10" (25cm)	>8" (20cm) to 10" x 10" (25 x 25cm)	>8" (20cm) to 10" (25cm) diameter	
 12" Square (30cm Square)	>10" (25cm) to 12" (30cm)	>10" (25cm) to 12" x12" (30 x 30cm)	>10" (25cm) to 12" (30cm) diameter	
 9" Round (22cm Round)	Up to 6" (15cm)	Up to 6" x 6" (15 x 15cm)	Up to 8-5/8" (22cm) diameter	
 14" Square (35cm Square)	>12" (30cm) to 14" (35cm)	>12" (30cm) to 14" x 14" (35 x 35cm)	>12" (30cm) to14" (35cm) diameter	
 16" Square (40cm Square)	>14" (35cm) to 16" (40cm)	>14" (35cm) to 16" x 16" (40 x 40cm)	>14" (35cm) to 16" (40cm) diameter	
 18" Square (46cm Square)	>16" (40cm) to 18" (46cm)	>16" (40cm) to 18" x 18" (46 x 46cm)	>16" (40cm) to 18" (46cm) diameter	
 20" Square (51cm Square)	>18" (46cm) to 20" (51cm)	>18" (46cm) to 20" x 20" (51 x 51cm)	>18" (44cm) to 20" (51cm) diameter	
<b>Dimensions:</b>				

