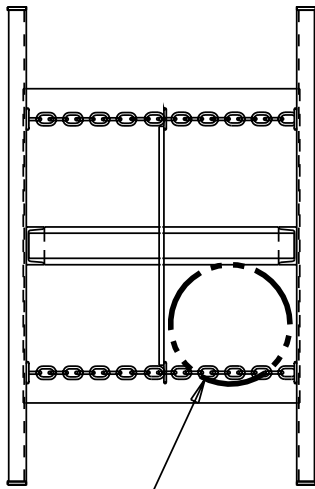
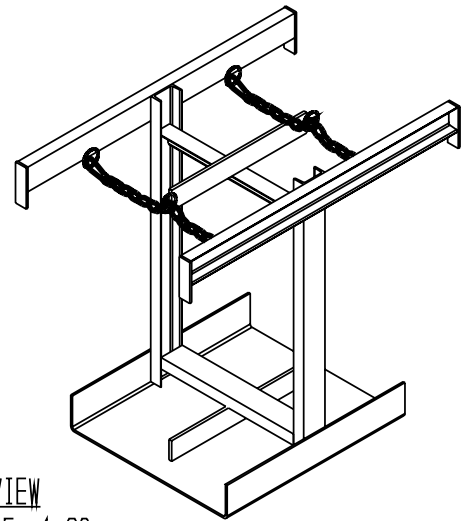


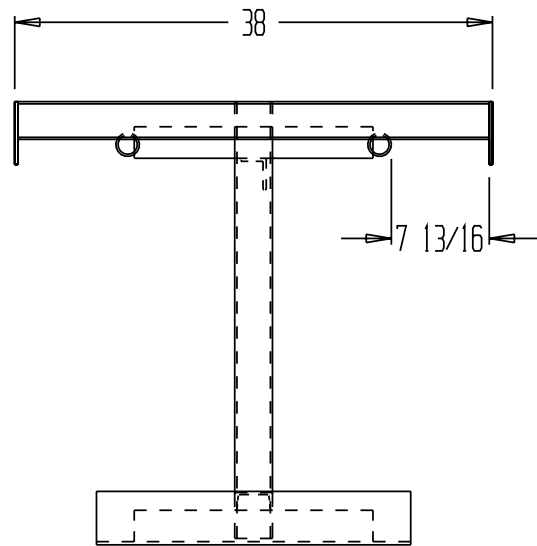
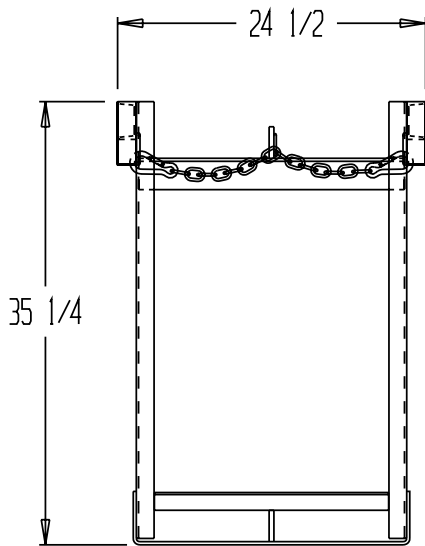
CYLINDER CADDY - CYL-P-4



Ø 9 1/2
MAXIMUM CYLINDER
DIAMETER



3D VIEW
SCALE: 1:20



LEAD TIME WILL START UPON
RECEIPT OF SIGNED APPROVAL
DRAWING

STANDARD FEATURES

MODEL NUMBER: CYL-P-4
OVERALL WIDTH: 38"
OVERALL LENGTH: 24 1/2"
OVERALL HEIGHT: 35 1/4"
HOLDS 4 CYLINDERS
FORK TRUCK MOVABLE
9 1/2 MAX DIAMETER
UNIT PAINTED BLUE

SPECIAL FEATURES

NONE

APPROVAL

I, the undersigned, hereby approve this print
 As drawn As marked
 This includes my approval of design & dimensions.
 Signed: _____
 Date: _____

DISTRIBUTOR'S NAME: VESTIL MANUFACTURING		P.O.#: -
DRAWN BY: KY		W.O.#: -
DATE: 3/30/05		SALES: -
REFERENCE: -	DRWG./FILE NAME: 33-007-142	SCALE: 1:16

**SPECIAL UNITS ARE NON-RETURNABLE
*AVAILABLE AT ADDITIONAL COSTS