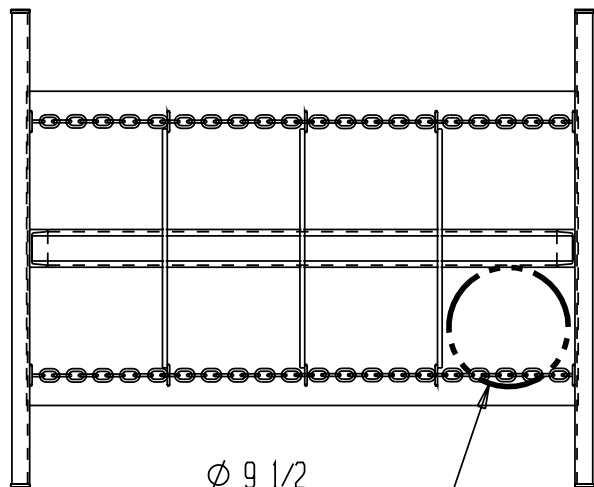
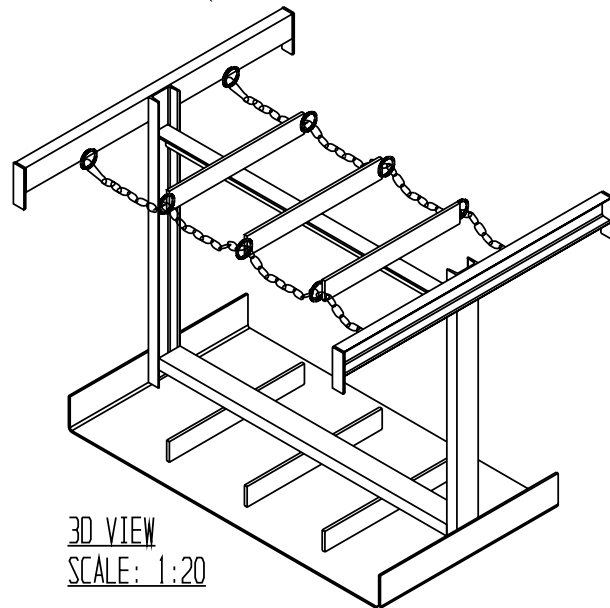


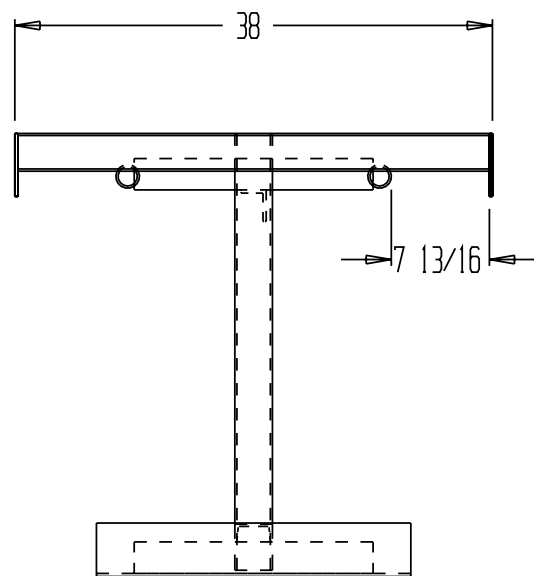
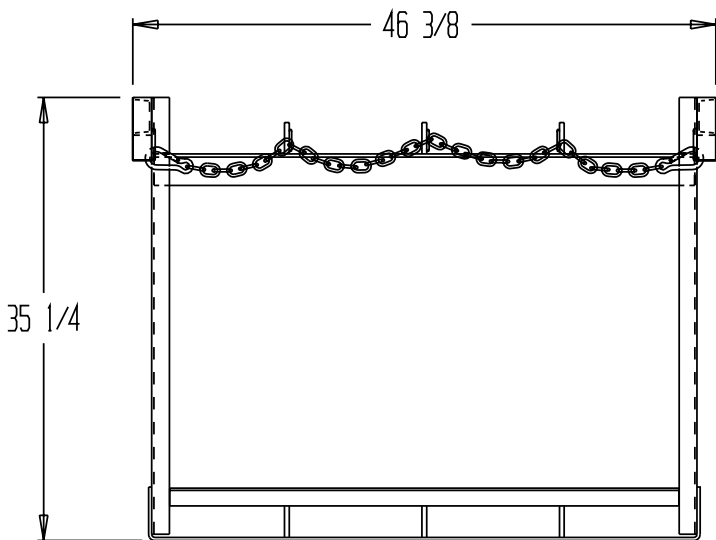
# CYLINDER CADDY - CYL-P-8



Ø 9 1/2  
MAXIMUM CYLINDER  
DIAMETER



3D VIEW  
SCALE: 1:20



LEAD TIME WILL START UPON  
RECEIPT OF SIGNED APPROVAL  
DRAWING

## STANDARD FEATURES

MODEL NUMBER: CYL-P-8  
OVERALL WIDTH: 38"  
OVERALL LENGTH: 46 3/8"  
OVERALL HEIGHT: 35 1/4"  
HOLDS 8 CYLINDERS  
FORK TRUCK MOVABLE  
9 1/2 MAX DIAMETER  
UNIT PAINTED BLUE

## SPECIAL FEATURES

NONE

## APPROVAL

I, the undersigned, hereby approve this print  
 As drawn     As marked  
 This includes my approval of design & dimensions.  
 Signed: \_\_\_\_\_  
 Date: \_\_\_\_\_

|                             |                  |            |
|-----------------------------|------------------|------------|
| DISTRIBUTOR'S NAME:         |                  | P.O.#:     |
| <b>VESTIL MANUFACTURING</b> |                  | W.O.#:     |
| DRAWN BY: KY                | DATE: 1/17/05    | SALES: -   |
| REFERENCE:                  | DRWG./FILE NAME: |            |
| -                           | SCALE: 1:16      | 33-007-139 |

\*\*SPECIAL UNITS ARE NON-RETURNABLE  
\*AVAILABLE AT ADDITIONAL COSTS