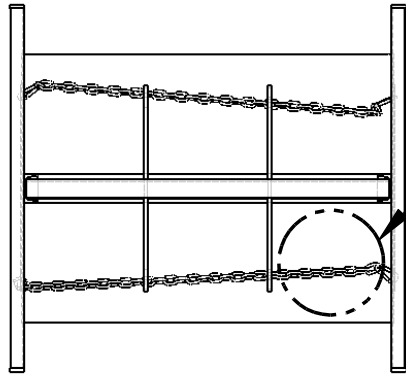


CYLINDER EQUIPMENT CADDY - LP-170

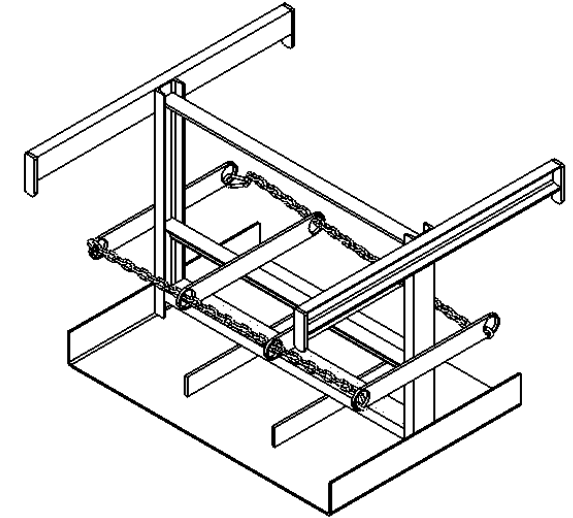
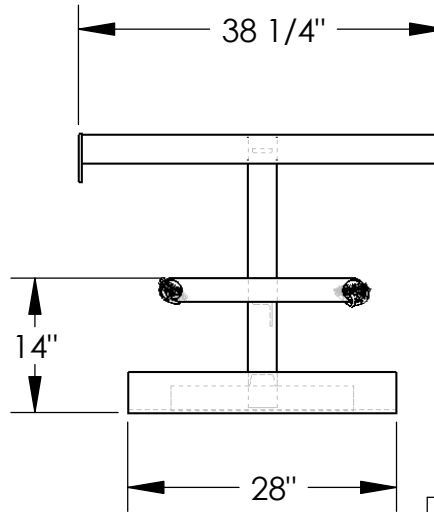
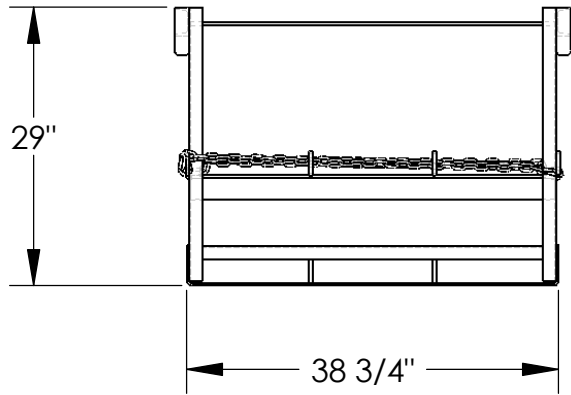
APPROXIMATE WEIGHT IS: 202.72 lbs.

*** ANY ADDITIONS, DELETIONS, OR OMISSIONS MUST BE CORRECTED ON THIS DRAWING AS THIS DRAWING WILL BE CONSIDERED ALL INCLUSIVE ***

ALL GRAPHICS PROVIDED ARE FOR REFERENCE ONLY. IF CERTAIN DIMENSIONS ARE CRITICAL PLEASE VERIFY THOSE DIMENSIONS WITH YOUR SALESPERSON



Ø12" MAXIMUM CYLINDER DIAMETER



ALL SPECIAL UNITS ARE NON-RETURNABLE

A P P R O V A L	I, the undersigned, hereby approve this print. This includes my approval of design & dimensions	
	<input type="checkbox"/> As drawn	<input type="checkbox"/> As marked
	Signed: _____ Date: _____	
	LEAD TIME WILL START UPON RECEIPT OF SIGNED APPROVAL DRAWING	

STANDARD FEATURES

- MODEL NUMBER: LP-170
- OVERALL WIDTH: 38 3/4"
- OVERALL LENGTH: 38 1/4"
- OVERALL HEIGHT: 29"
- HOLDS UP TO 6 LP TANKS
- STEEL CONSTRUCTION
- 36" SAFETY CHAINS
- PORTABLE WITH FORK TRUCK
- PAINTED BLUE

SPECIAL FEATURES

NONE

DISTRIBUTOR'S NAME: VESTIL MANUFACTURING		P.O.# X
DRAWN BY: X	DATE: XX/XX/XX	W.O.# X
REFERENCE: X	QUOTE # X	SALES: X
		FILE NAME: 16-007-140