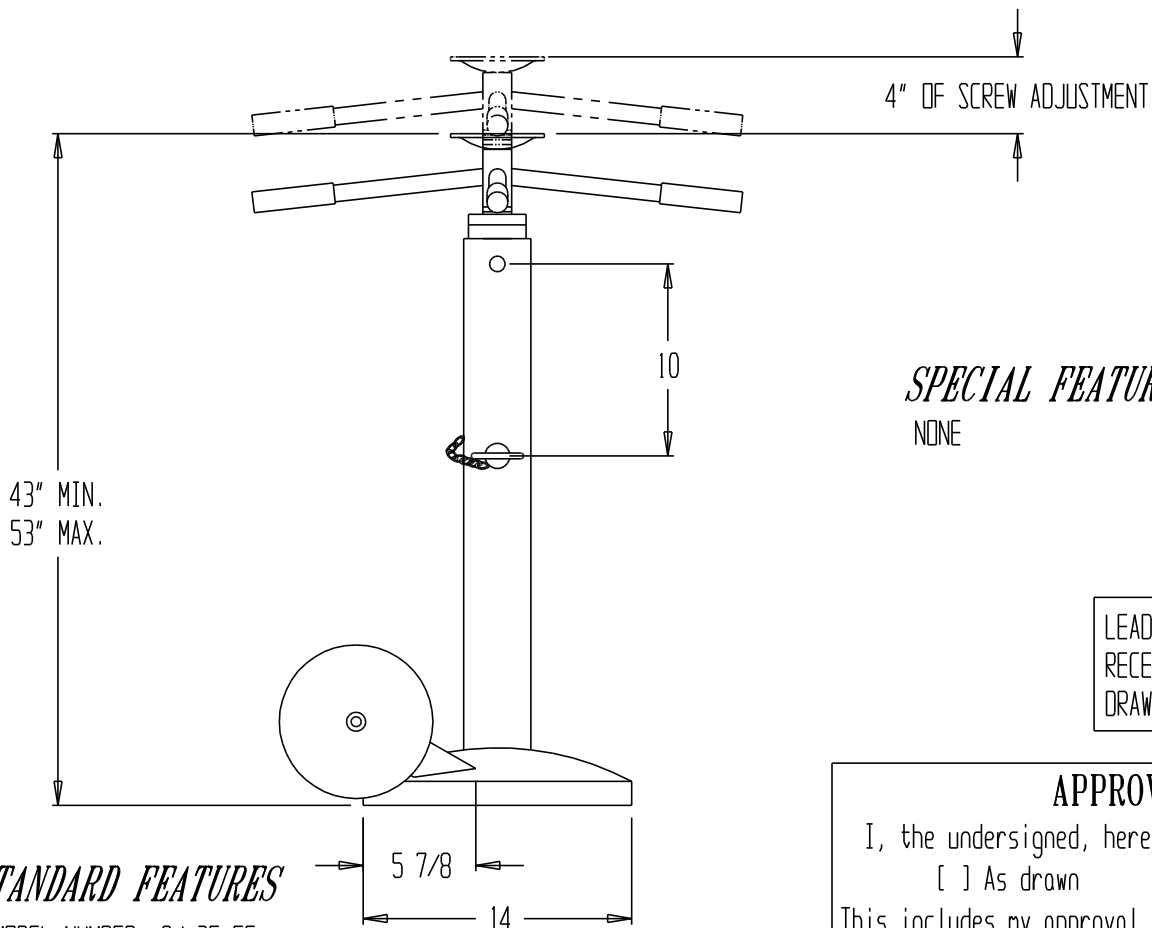
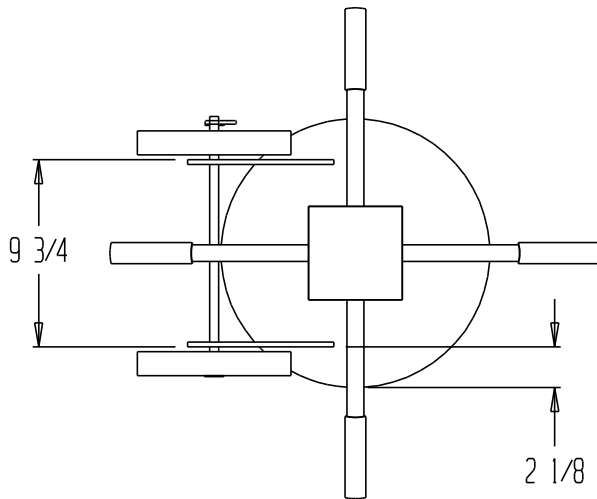


ECONOMY TRAILER STABILIZING JACK - SJ-35-EF



SPECIAL FEATURES

NONE

LEAD TIME WILL START UPON
RECEIPT OF SIGNED APPROVAL
DRAWING

STANDARD FEATURES

- MODEL NUMBER: SJ-35-EF
- STATIC CAPACITY: 50,000 LBS.
- LIFTING CAPACITY: 5,000 LBS.
- (2) - Ø 8" WHEELS
- TOP PLATE: 5 x 5
- ACME THREADS: 1-1/2 INCH OD, 8 THREADS PER INCH

**SPECIAL UNITS ARE NON-RETURNABLE
*AVAILABLE AT ADDITIONAL COSTS

APPROVAL

I, the undersigned, hereby approve this print
 As drawn As marked
 This includes my approval of design & dimensions.
 Signed: _____
 Date: _____

DISTRIBUTOR'S NAME: VESTIL MANUFACTURING		P.O.#: -
DRAWN BY: KY		W.O.#: -
DATE: 2/14/05	SALES: -	
REFERENCE: -	DRWG./FILE NAME: 13-007-015	SCALE: 1:10