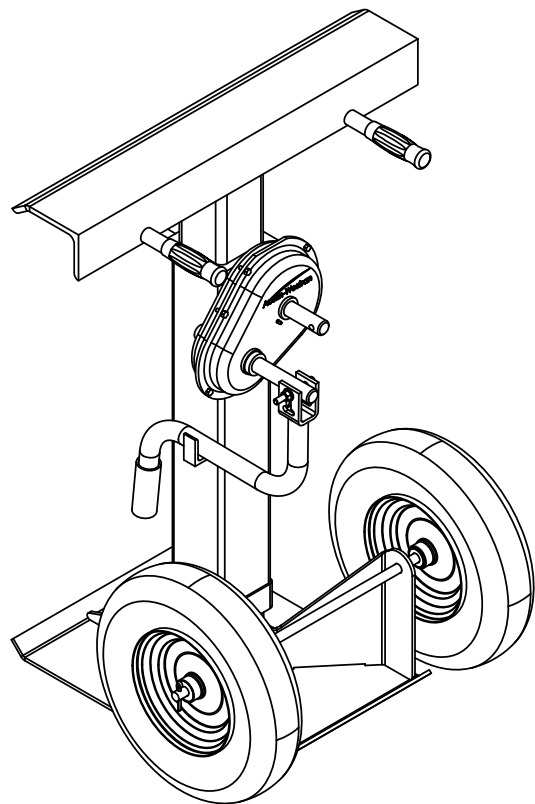
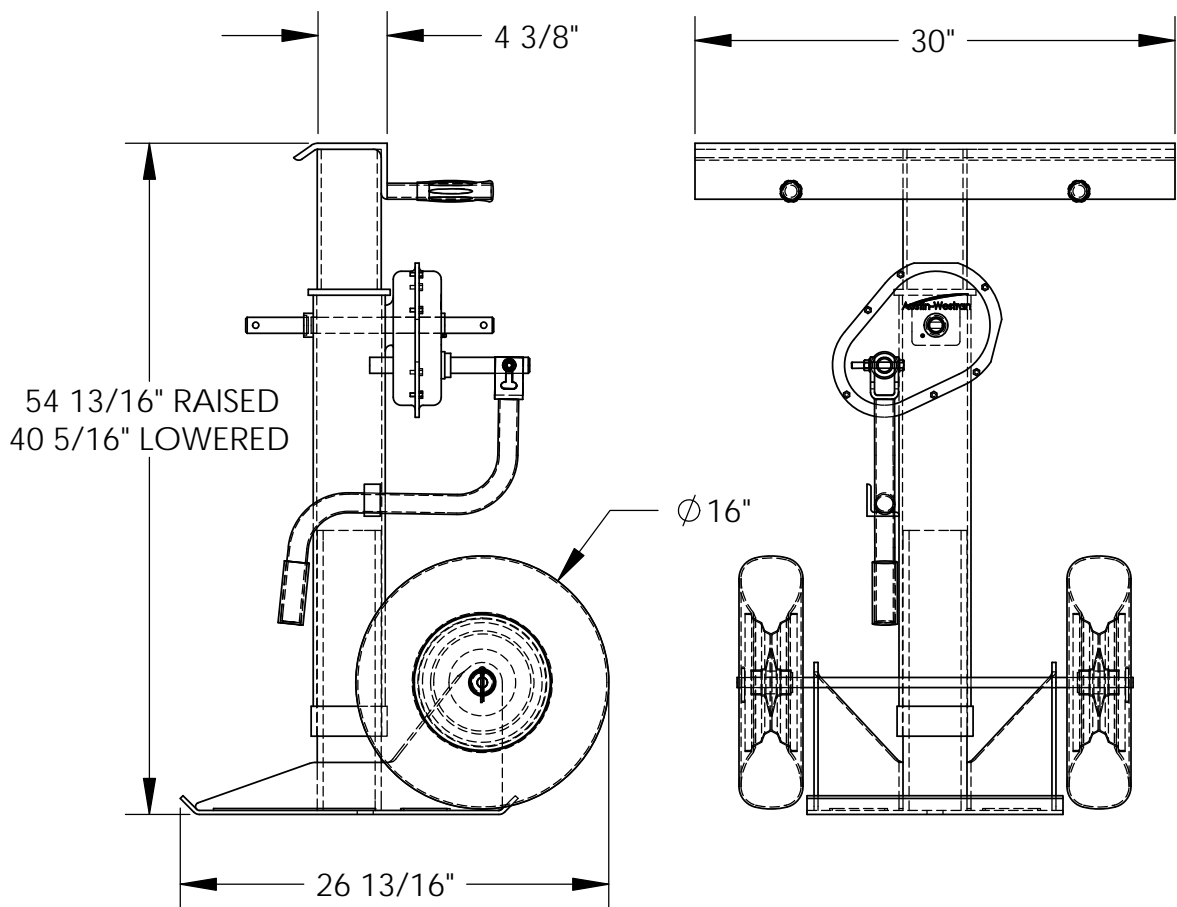


APPROX WEIGHT: 195.78 lbs.
 DOES NOT INCLUDE WEIGHT OF POWER OR PACKAGING!!!

TRAILER JACK - CJ-BEAM-PN

*** ANY ADDITIONS, DELETIONS, OR OMISSIONS MUST BE CORRECTED ON THIS DRAWING AS THIS DRAWING WILL BE CONSIDERED ALL INCLUSIVE ***
 ALL GRAPHICS PROVIDED ARE FOR REFERENCE ONLY. IF CERTAIN DIMENSIONS ARE CRITICAL PLEASE VERIFY THOSE DIMENSIONS WITH YOUR SALESPERSON



STANDARD FEATURES

- MODEL NUMBER: CJ-BEAM-PN
- STATIC CAPACITY: 100,000 LBS
- LIFTING CAPACITY: 50,000 LBS
- OVERALL WIDTH: 30"
- OVERALL LENGTH: 4 3/8"
- SERVICE RANGE: 40 5/16" TO 54 13/16"
- INCLUDES (2) 16" FULLY PNEUMATIC WHEELS

SPECIAL FEATURES

NONE

A P P R O V A L	I, THE UNDERSIGNED, AGREE THAT THE PRODUCT AS REPRESENTED SATISFIES DESIGN AND DIMENSION REQUIREMENTS. I ALSO ACKNOWLEDGE MY DUTY TO CONFIRM PRODUCT AND INSTALLATION COMPLIANCE WITH ALL APPLICABLE FEDERAL, STATE AND LOCAL REGULATIONS AND STANDARDS.	
	ALL SPECIAL UNITS ARE NON-RETURNABLE	
	[] As drawn [] As marked	
Signed: _____		Date: _____
LEAD TIME WILL START UPON RECEIPT OF SIGNED APPROVAL DRAWING		

DISTRIBUTOR'S NAME:		P.O.#
VESTIL MANUFACTURING		X
DRAWN BY: MLS		W.O.#
DATE: 04/28/2011		X
REFERENCE: X	SCALE: 1:12	SALES: X
QUOTED LEAD TIME: X		FILE NAME:
QUOTE # X		13-007-030