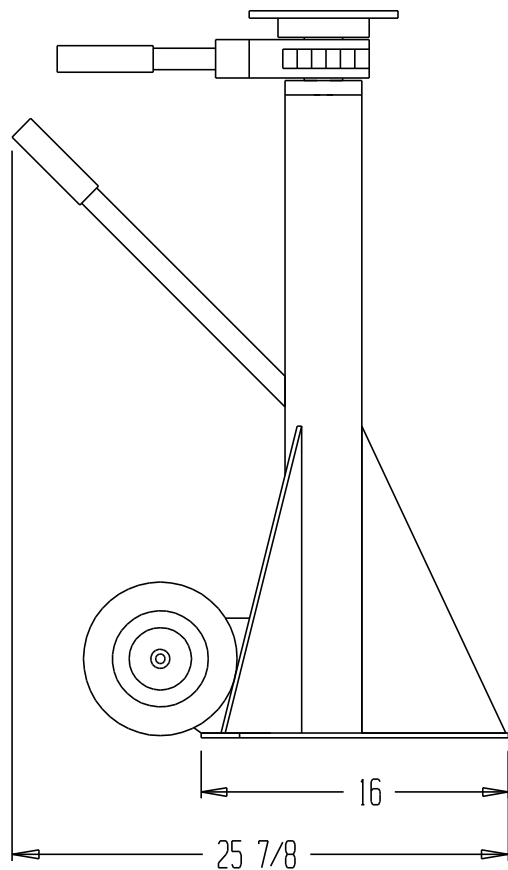
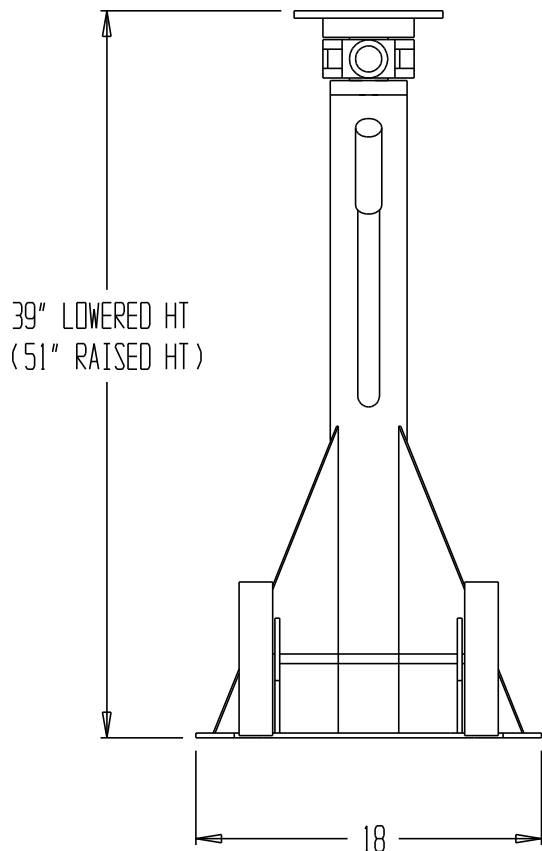


RATCHET TRAILER STABILIZING JACK - LO-J



LEAD TIME WILL START UPON
RECEIPT OF SIGNED APPROVAL
DRAWING

STANDARD FEATURES

MODEL NUMBER: LO-J
 STATIC CAPACITY: 100,000 LBS.
 LIFTING CAPACITY: 40,000 LBS.
 SERVICE RANGE FROM 39" TO 51"
 8" DIAMETER CAP
 2-WAY RATCHET
 10" DIA SEMI-PNEUMATIC WHEELS

SPECIAL FEATURES

NONE

APPROVAL

I, the undersigned, hereby approve this print
 As drawn As marked

This includes my approval of design & dimensions.

Signed: _____

Date: _____

DISTRIBUTOR'S NAME:		P.O.#: _
VESTIL MANUFACTURING		W.O.#: _
DRAWN BY: KY	DATE: 2/14/05	SALES: _
REFERENCE:		DRWG./FILE NAME:
-	SCALE: 1:10	13-007-006

**SPECIAL UNITS ARE NON-RETURNABLE
 *AVAILABLE AT ADDITIONAL COSTS