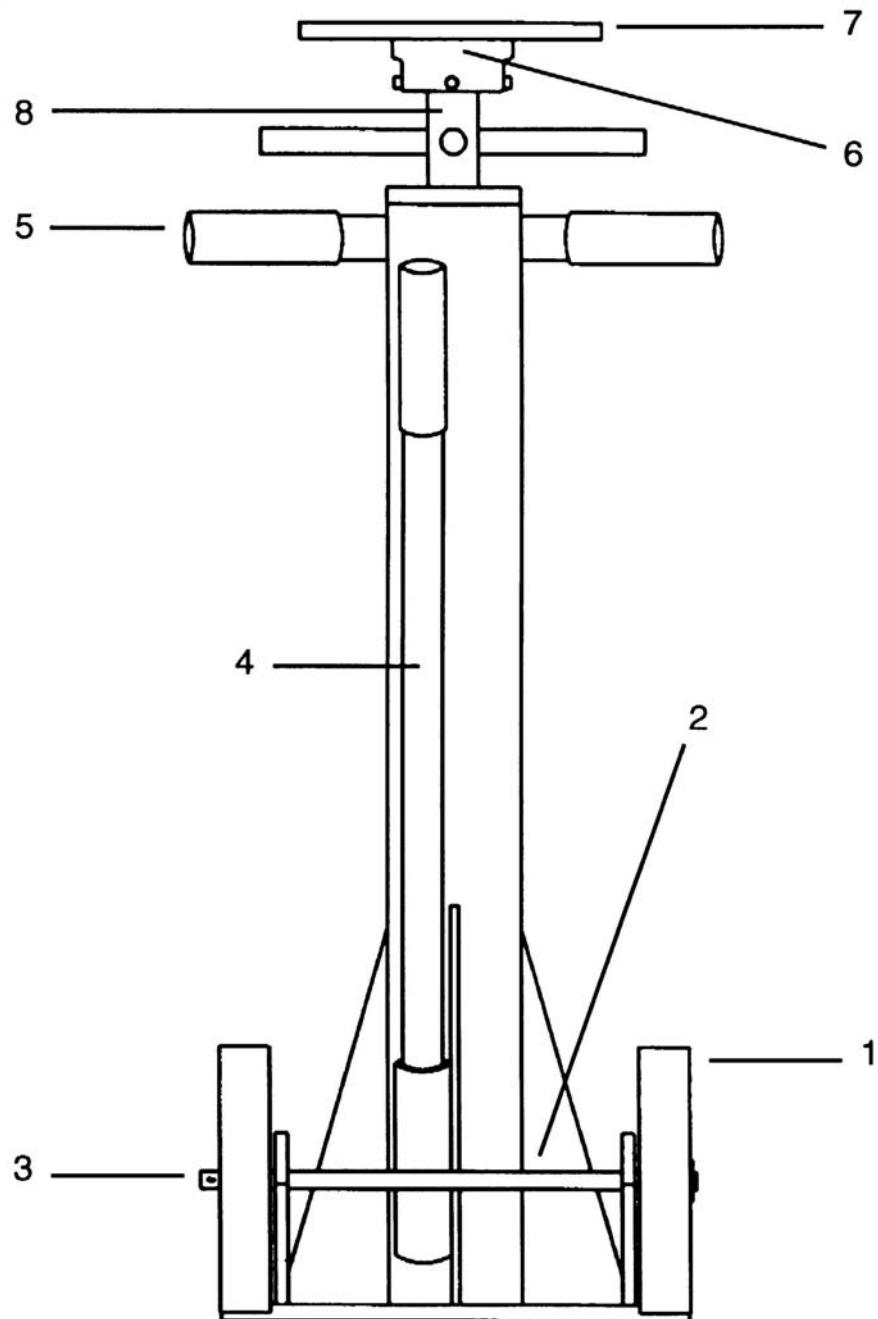


**SP-TOP**



SP-TOP				
Ref. #	Model #	Generic Part #	Eng. Part #	Description
1	SP-TOP	SPTOP-WHL-1/2	16-132-033-1/2	Wheel 8", 1/2" Axle Also Available In Kit # 13-154-011
1	SP-TOP	SPTOP-WHL-5/8	16-132-033-5/8	Wheel 8", 5/8" Axle Also Available In Kit # 13-154-011
2	SP-TOP	SPTOP-AXL-1/2	13-612-002-1/2	Axle ,1/2" Diam. Also Available In Kit # 13-154-011
2	SP-TOP	SPTOP-AXL-5/8	13-612-002-5/8	Axle ,5/8" Diam. Also Available In Kit # 13-154-011
1	SP-TOP	SP-10-WHL-1/2	16-132-175	Wheel 10" - 1/2" Axle
1	SP-TOP	SP-10-WHL-5/8		Wheel 10" - 5/8" Axle
2	SP-TOP	SP-10-AXL-1/2		Axle For 10" wheel -1/2" Diam.
2	SP-TOP	SP-10-AXL-5/8		Axle For 10" wheel - 5/8" Diam.
3	SP-TOP	SPTOP-CTPIN	65078	Cotter Pin , Also Available In Kit #s 13-154-011 & 13-154-010
4	SP-TOP	SPTOP-HDL	13-025-012	Handle - 36" Long - OLD JACKS
	SP-TOP	SPTOP-HDL-2		Handle - 20" Long - Used on current jacks
5	SP-TOP	SPTOP-HDLGP	13-025-003	Hand Grip , Also Available In Kit # 13-154-010
6	SP-TOP	SP-BAL	13-145-002	Steel Ball , Also Available In Kit # 13-154-010
7	SP-TOP	SPTOP-CAP	13-036-008	8" Diameter Cap With Hardware
8	SP-TOP	SPTOP-HEAD	13-036-006	Jack Head
	SP-TOP	SPTOP-R-HEAD	13-036-007	Jack Head - ( RATCHET STYLE )
	SP-TOP	SPTOP-KITA	13-154-010	Hardware Kit Includes Items 3 , 5 , 6
	SP-TOP	SPTOP-KITB-A-1/2		Wheel Kit Includes Items 1-3 ( 10" )-1/2" Axle
	SP-TOP	SPTOP-KITB-A-5/8		Wheel Kit Includes Items 1-3 ( 10" )-5/8" Axle
	SP-TOP	SPTOP-KITB-B-1/2	13-154-011-1/2	Wheel Kit Includes Items 1-3 ( 8" )-1/2" Axle
	SP-TOP	SPTOP-KITB-B-5/8	13-154-011-5/8	Wheel Kit Includes Items 1-3 ( 8" )-5/8" Axle

