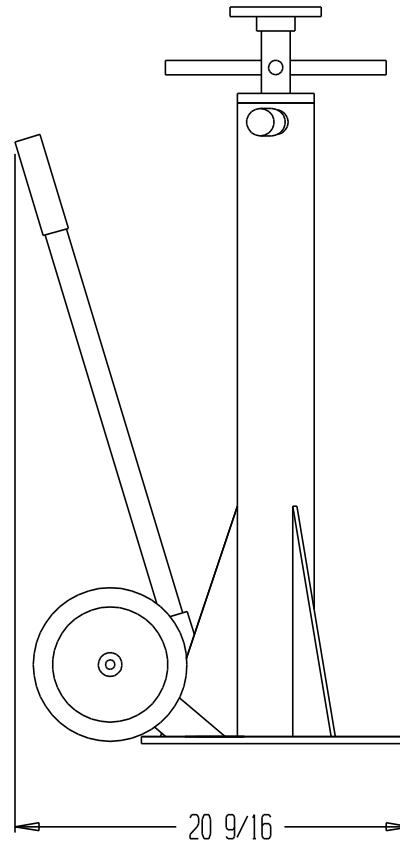
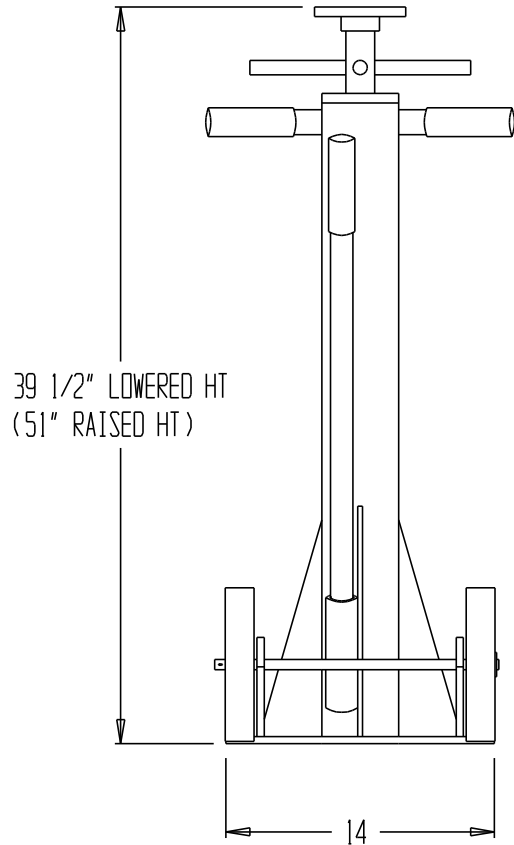


SPIN TOP TRAILER STABILIZING JACK - SP-TOP



LEAD TIME WILL START UPON
RECEIPT OF SIGNED APPROVAL
DRAWING

STANDARD FEATURES

MODEL NUMBER: SP-TOP
 STATIC CAPACITY: 100,000 LBS.
 LIFTING CAPACITY: 40,000 LBS.
 SERVICE RANGE FROM 39 1/2" TO 51"
 8" DIAMETER CAP
 SPIN TOP SCREW HEAD
 10" DIA SEMI-PNEUMATIC WHEELS

SPECIAL FEATURES

NONE

APPROVAL

I, the undersigned, hereby approve this print
 As drawn As marked

This includes my approval of design & dimensions.

Signed: _____

Date: _____

DISTRIBUTOR'S NAME:		P.O.#: _
VESTIL MANUFACTURING		W.O.#: _
DRAWN BY: KY	DATE: 2/14/05	SALES: _
REFERENCE:		DRWG./FILE NAME:
-	SCALE: 1:10	13-007-008

**SPECIAL UNITS ARE NON-RETURNABLE
 *AVAILABLE AT ADDITIONAL COSTS