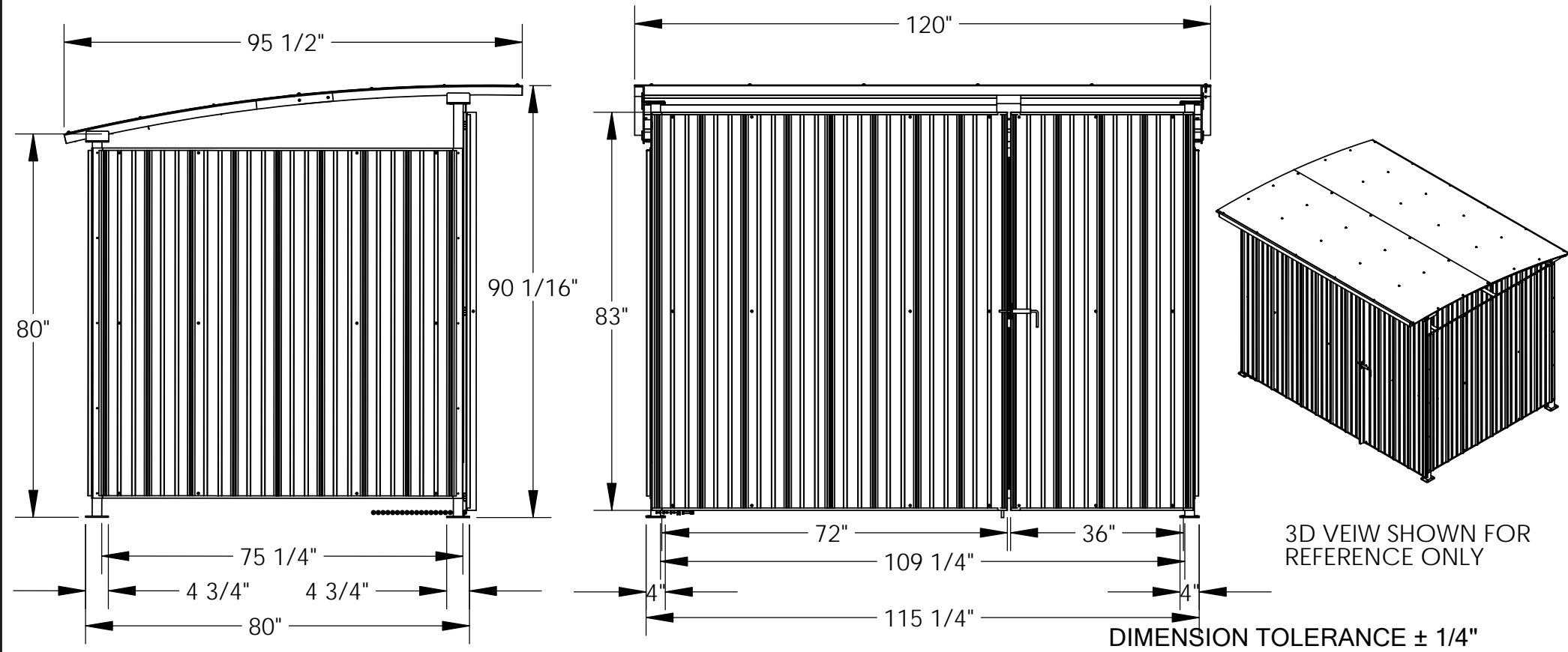


MULTI-DUTY STORAGE BUILDING - MDS-96-DR

APPROX WEIGHT: 879.99 lbs.
DOES NOT INCLUDE WEIGHT OF POWER OR PACKAGING!!!

*** ANY ADDITIONS, DELETIONS, OR OMISSIONS MUST BE CORRECTED ON THIS DRAWING AS THIS DRAWING WILL BE CONSIDERED ALL INCLUSIVE ***

ALL GRAPHICS PROVIDED ARE FOR REFERENCE ONLY. IF CERTAIN DIMENSIONS ARE CRITICAL PLEASE VERIFY THOSE DIMENSIONS WITH YOUR SALESPERSON



STANDARD FEATURES

- MODEL NUMBER IS MDS-96-DR
- OVERALL WIDTH IS 120"
- USABLE WIDTH IS 109 1/4"
- OVERALL DEPTH IS 95 1/2"
- USABLE DEPTH IS 75 1/4"
- OVERALL HEIGHT IS 90 1/16"
- USABLE HEIGHT IS 80"
- UNIT SUPPLIED W/ LAG DOWN PLATES
- DOORS SIZES ARE 72" W X 83" H & 36" W X 83" H
- HOLDS SNOW UP TO 45 LBS PER SQ-FT

SPECIAL FEATURES

NONE

I, THE UNDERSIGNED, AGREE THAT THE PRODUCT AS REPRESENTED SATISFIES DESIGN AND DIMENSION REQUIREMENTS. I ALSO ACKNOWLEDGE MY DUTY TO CONFIRM PRODUCT AND INSTALLATION COMPLIANCE WITH ALL APPLICABLE FEDERAL, STATE AND LOCAL REGULATIONS AND STANDARDS.

ALL SPECIAL UNITS ARE NON-RETURNABLE

[] As drawn [] As marked

Signed: _____ Date: _____

LEAD TIME WILL START UPON RECEIPT OF SIGNED APPROVAL DRAWING

APPROVAL

FOR INTERNAL USE ONLY PROJECT SIGN OFF	
SALES	
ENG.	
FAB.	
POWER	

DISTRIBUTOR'S NAME:		P.O.#
VESTIL MANUFACTURING		X
W.O.#		X
DRAWN BY:	B.NOTHNAGEL	DATE: 1/27/2016
SALES:		X
REFERENCE:	X	SCALE: 1:30
FILE NAME:		41-007-012
QUOTED LEAD TIME:	X	QUOTE # X