

**Fork Truck Attachments**

# OWNER'S MANUAL

## LIFT MASTER BOOMS

### MODEL LM-OBT, LM-OBNT, LM-1T, LM-1NT, LM-EBT, LM-EBNT, LM-HRT, LM-HRNT

**Contents**

Safety Precautions .....	1
Receiving Instructions .....	1
Installation Instructions .....	1
Warranty .....	1
Operating Instructions .....	2
Certificates of Assurance & Testing .....	3
Parts Breakdown LM-OBT .....	4

Parts Breakdown LM-1T .....	5
Parts Breakdown LM-EBT .....	6
Parts Breakdown LM-HRT .....	7
Capacity and Lost Load Information for LM-EBT & LM-HRT .....	8
Capacity and Lost Load Information for LM-1T & LM-OBT .....	9
Warning Labels .....	10

## SAFETY PRECAUTIONS

**Read owner's manual completely before operating unit!**

- Secure Lift Master Boom to fork truck carriage with safety strap.
- Never stand underneath lift device when in use.
- Be sure fork mast is tilted back toward driver.

## RECEIVING INSTRUCTIONS

It is possible that a unit may incur damage during transit. If damage is noticed when unloading, make a note of it on the **BILL OF LADING**. Remove all packing and strapping material, then inspect the unit again for damage. **IF DAMAGE IS EVIDENT, FILE A CLAIM WITH THE CARRIER IMMEDIATELY!** Finally, check the design specifications to ensure they match those as requested (i.e. model type, capacity, etc...)

## INSTALLATION INSTRUCTIONS

**STEP 1** - Insert forks through fork pockets of Boom so that the back side of boom is in contact with fork carriage of fork truck.

**STEP 2** - Attach safety strap to fork truck carriage.

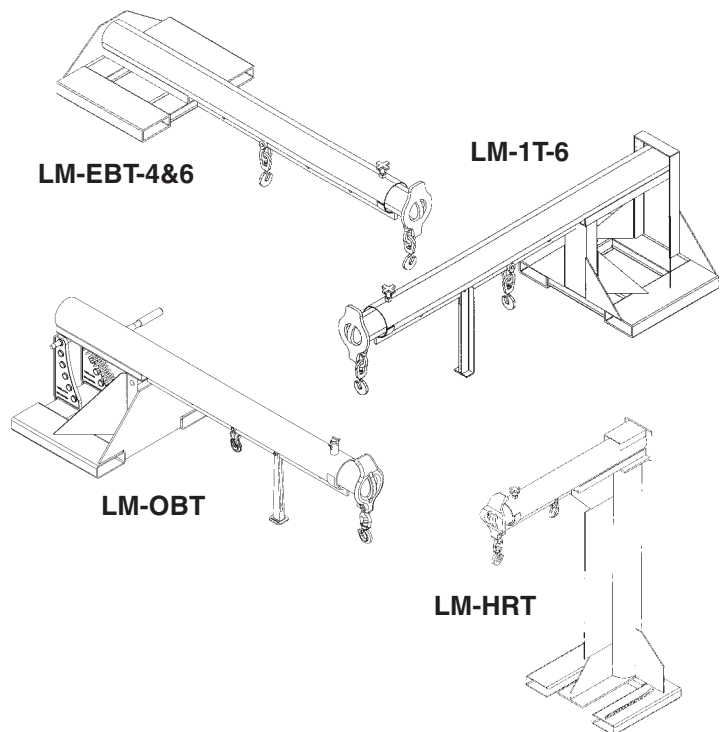
**STEP 3** - Tilt fork carriage and mast back toward the driver so that boom does not slide off forks.

**STEP 4** - Make desired adjustments to boom length by sliding the inner extension tube in or out of main tube, and locking it down with infinite locking screw.

## WARRANTY

This product is warranted for one year from date of purchase to be free of manufacturing defects in material and workmanship.

This warranty does not cover normal wear of parts or damage resulting from any of the following: negligent use or misuse of the product, use or application contrary to installation instructions, or disassembly, repair or alteration by any person prior to authorization from a factory representative.



## LIFT MASTER BOOMS

E  
N  
G  
L  
I  
S  
H

---

## **OPERATING INSTRUCTIONS - LM SERIES**

*You must carefully read and understand all of the following instructions before using the lifting boom. Consult the manufacturer for any questions not resolved to your satisfaction in this owner's manual.*

- The center-of-gravity and lost-load information for all the boom models is provided in the owner's manual. Always consult the chart to determine the load rating of your boom's model at the given distance from, and angle to, the fork truck's carriage.

### **Attaching the lifting boom to a fork truck:**

Insert the fork truck's forks through the lifting boom's fork tubes until the fork tubes are fully back against the face of the fork truck's forks.

Secure the lifting boom to the fork truck by wrapping the lifting boom's restraint strap around the vertical member of the fork carriage. Pull the strap as tight as possible, then fasten the snap hook back onto the restraint strap so that there is no slack in the strap.

### **Positioning the boom for lifting a load:**

*Caution:* Secure the boom to the fork truck as indicated before attempting to adjust the boom length or angle.

To extend the boom (telescoping models only) -- Raise the boom to a comfortable height. Loosen the star knob, located at the end of the boom. Grasp the boom's end cap with both hands, and pull the end of the boom outward. When the boom is extended to the length desired, tighten the star knob. Verify that the load rating of the boom is adequate for the intended load and extended length. Load ratings are charted in the owner's manual.

To change the angle of the orbital boom (models OBT and OBNT): -- Note: It is strongly recommended that this adjustment be performed by two individuals working together. Firmly grasp the boom's pivot handle with one hand, remove the pivot locking pin with the other, and position the boom angle so that the hook is at the desired height. Reinstall the pivot locking pin.

- *Caution:* Consult the fork truck owner's manual for the forklift's capacity at the distance of the load's center-of-gravity from the fork truck's mast.

### **Operation and Use:**

*Before using the work platform, review all of the items in the "Warnings and Safety Instructions" section, included herein! Consult standard ANSI / ASME B56.1-2000, "Safety Standard For Low Lift And High Lift Fork Trucks," for further information regarding proper procedures to be used when operating a fork truck with a lifting boom attached.*

- Tilt the fork truck's mast back before attaching a load to the lifting boom.
- Use a lifting chain, nylon strap, or choker to connect the load to the lifting boom. Both of the lifting hooks can be used simultaneously to lift a load.
- Alert personnel in the area to stand at a safe distance from the load before attempting to lift it.
- Lift the load slowly.
- Watch the rigging and the load carefully for slippage or uneven lifting. Lower the load and adjust the rigging as necessary to ensure the load will remain stable while hanging from the lifting boom.
- Keep the load as close to the ground as possible whenever it is being moved.
- Do not exceed two feet/second when moving loads.
- Avoid bumps, potholes, and inclined surfaces when transporting a load.
- Lower the load into place. Be certain that the load is stable and well-supported before attempting to remove the rigging.
- *Warning:* Improper rigging practices could result in injury to personnel or damage to property.
- *Caution:* Use only properly-rated lifting chains, nylon straps, and chokers and connecting hardware when lifting loads with the lifting boom.
- *Caution:* Do not exceed the rated lifting capacity of the boom, indicated on the chart provided herein.
- *Caution:* All personnel must maintain a safe distance from loads during lifting and while loads are raised.
- *Caution:* Use the lifting boom only on a smooth, level, finished surface. Avoid sudden stops or quick turns.
- *Caution:* Set the parking brake before dismounting from the fork truck when the lifting boom is attached.
- *Caution:* Do not use the lifting boom if it has apparent damage.

### **Ordering Replacement Parts**

We take pride in using quality parts on the equipment we manufacture. We are not responsible for equipment problems resulting from the use of unapproved replacement parts.

To order replacement or spare parts for this equipment, contact the factory.

In any communication with the factory please be prepared to provide the lifting boom's serial number.

# ***LM Series Booms Certificate of Assurance & Testing***

## ***Certificate of Assurance***

This certificate is your assurance that our Lift Master Series Fork Truck Booms and attachments are manufactured in accordance with our interpretations of ANSI Standard B56.1 Low Lift and High Lift Trucks. It is the responsibility of the user to adapt to federal, state, or local laws. Some portions of Federal OSHA Regulations are the responsibility of the user to fulfill, i.e., 29CFR1910.178 Powered Industrial Trucks (a)(4) *“Modifications and additions which affect capacity and safe operation shall not be performed by the customer or user without manufacturers prior written approval. Capacity, operation, and maintenance instruction plates, tags, or decals shall be changed accordingly”*. The user is responsible to use the equipment safely, in a manner for which it was designed, and within its rated capacity. Please contact the manufacturer for further assistance. Thank you for your interest in our product.

**Vestil Manufacturing Corporation**  
2999 North Wayne St., Angola, IN 46703  
Ph: 260-665-7586 Fax: 260-665-1339  
Website: [www.vestil.com](http://www.vestil.com)

E  
N  
G  
L  
I  
S  
H

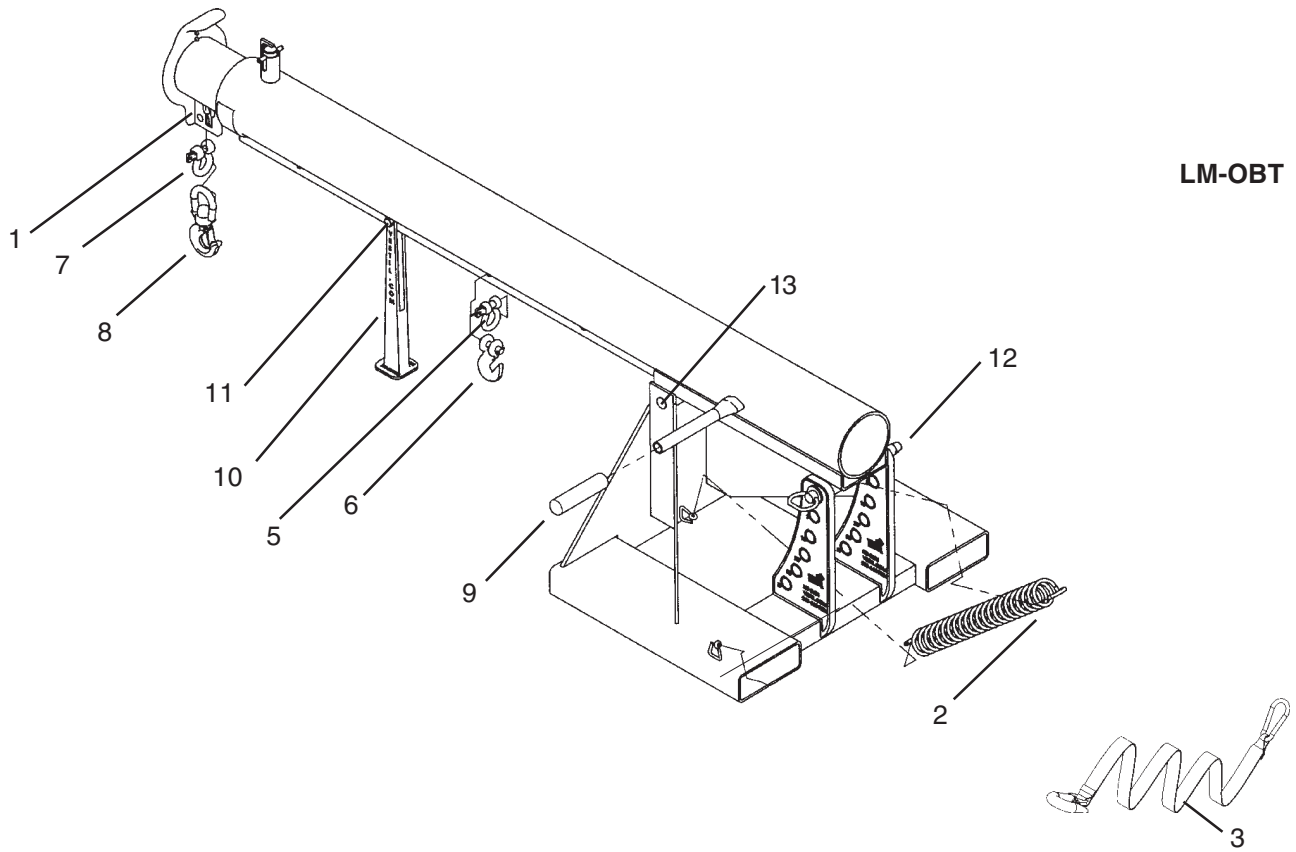
## ***Certificate of Testing***

This document is to certify that Vestil’s Lift Master series Fork Truck Booms have been tested up to 125% and no less than 100% of the rated capacity. After testing this unit, visual inspection showed no cracking of welds or permanent deformation of any members, or any other defects.

Random testing and inspections should be conducted by the end user to ensure safe working condition. Always consult the fork truck manufacturer before using this on any fork truck to have the truck recertified. This unit is built in compliance with all applicable OSHA and ANSI Standards.

**Vestil Manufacturing Corporation**  
2999 North Wayne St., Angola, IN 46703  
Ph: 260-665-7586 Fax: 260-665-1339  
Website: [www.vestil.com](http://www.vestil.com)

**PARTS IDENTIFICATION  
LIFT MASTER BOOM LM-OBT, LM-OBT-6, LM-OBT-8**



**Model LM-OBT**

ITEM NO.	DESCRIPTION	PART NO.	ENGINEER NO.	QUANTITY
1	Frame, Boom/Base Weldment	NOT AVAILABLE	08-514-119	1
2	Spring, LM-OBT	LMOBT-LSPG-A	08-146-002	1
3	Restraint Strap with Snap Hook	LMOBT-STP-A	08-145-008	1
5	Spec. Hdw., 2 Ton Shackle (Ø 5/8, Baron 193LR-1/2")	LMOBT-2TSKL-A	08-145-010	1
6	Spec. Hdw., 2 Ton Hook (Clevis Grab Hook, Ø 7/16, Hoosier)	LMOBT-2THK-A	08-145-009	1
7	Specialty Hardware, 2 Ton Shackle	LMOBT-2TSKL-A	08-145-003	1
8	2-Ton Hook	LMOBT-2THK-A	08-145-001	1
9	Grips, 1-1/8" Dia. White	LMOBT-HRG-A	08-025-003	1
10	Support Leg	LMOBT-FSLW-A	08-014-133	1
11	Ø1/2 - 13 UNC x 1-3/4 Hex Head Bolt & Nut	LMOBT-B&N-A	11210	1
12	Pin, Height Adjustment	LMOBT-P&C-A	08-112-002	1
13	Pin, Pivot	LMOBT-PPVT-A	08-112-012	1

**Model LM-OBT-6**

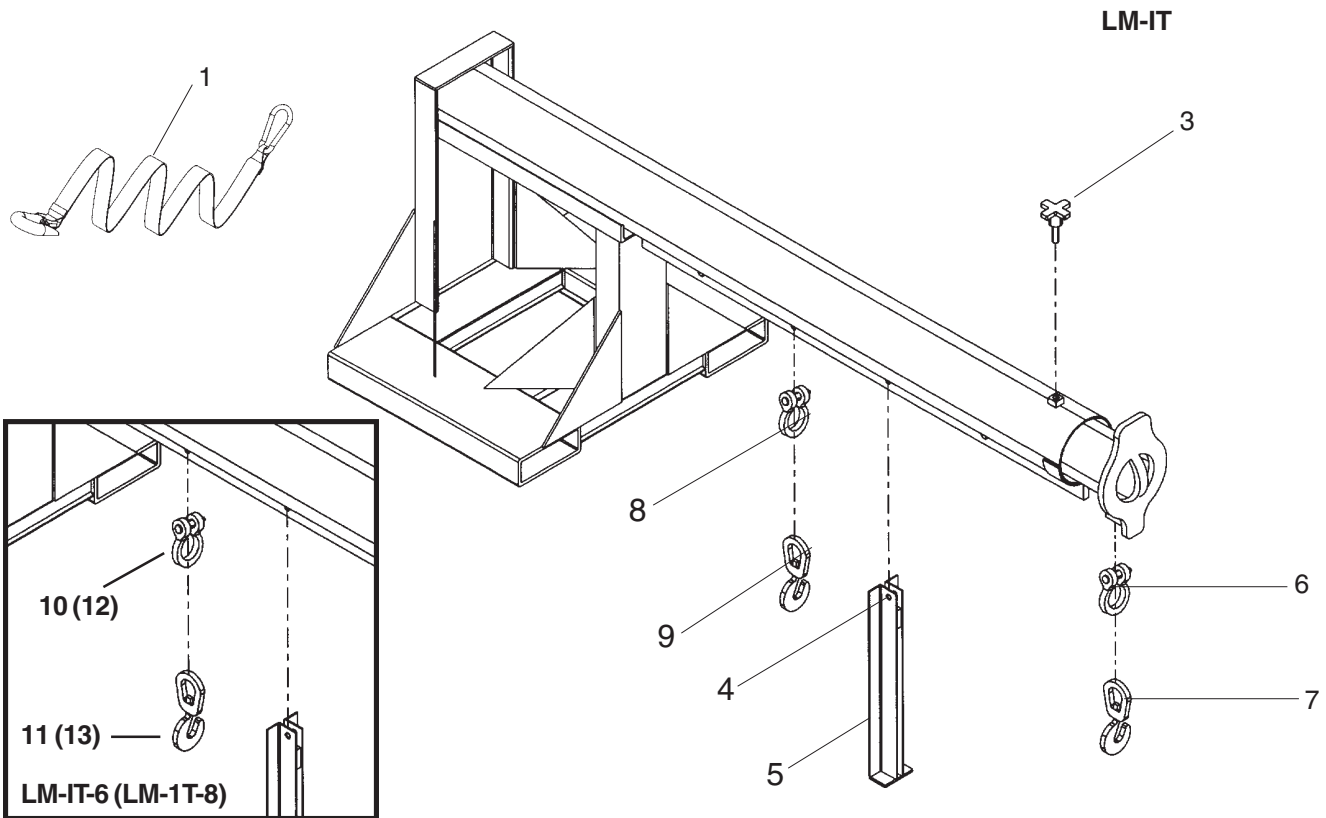
ITEM NO.	DESCRIPTION	ENGINEER NO.	PART NO.	QUANTITY
5A	3 Ton Shackle	08-145-004	LMOBT6-3TSKL	2
6A	3 Ton Hook	08-145-002	LMOBT6-3THK	2

**Model LM-OBT-8**

ITEM NO.	DESCRIPTION	ENGINEER NO.	PART NO.	QUANTITY
5B	4 Ton Shackle	08-145-025	LMOBT8-4TSKL	2
6B	4 Ton Hook	08-145-024	LMOBT8-4THK	2

A/L- AVAILABLE LOCALLY

**PARTS IDENTIFICATION  
LIFT MASTER BOOM LM-1T, LM-1T-6 & LM-1T-8**



**E  
N  
G  
L  
I  
S  
H**

**Model LM-IT**

ITEM NO.	DESCRIPTION	ENGINEER NO.	PART NO.	QUANTITY
1	Restraint Strap	08-145-008	LM1T-STP	1
3	Knob	08-025-004	LM1T-KNB	1
4	Bolt (1/2-13x2-1/4) & Nut (1/2-13)	A/L	LM1T-BN	1
5	Frame Support Leg (Weldment)	08-514-042	LM1T-FSL	1
6	2 Ton Shackle	08-145-010	LM1T-2TSKL	1
7	2 Ton Hook	08-145-001	LM1T-2THK	1
8	2 Ton Shackle (LM-1T only)	08-145-010	LM1T-ANSKL	1
9	2 Ton Hook (LM-1T only)	08-145-009	LM1T-CGHK	1

**Model LM-IT-6**

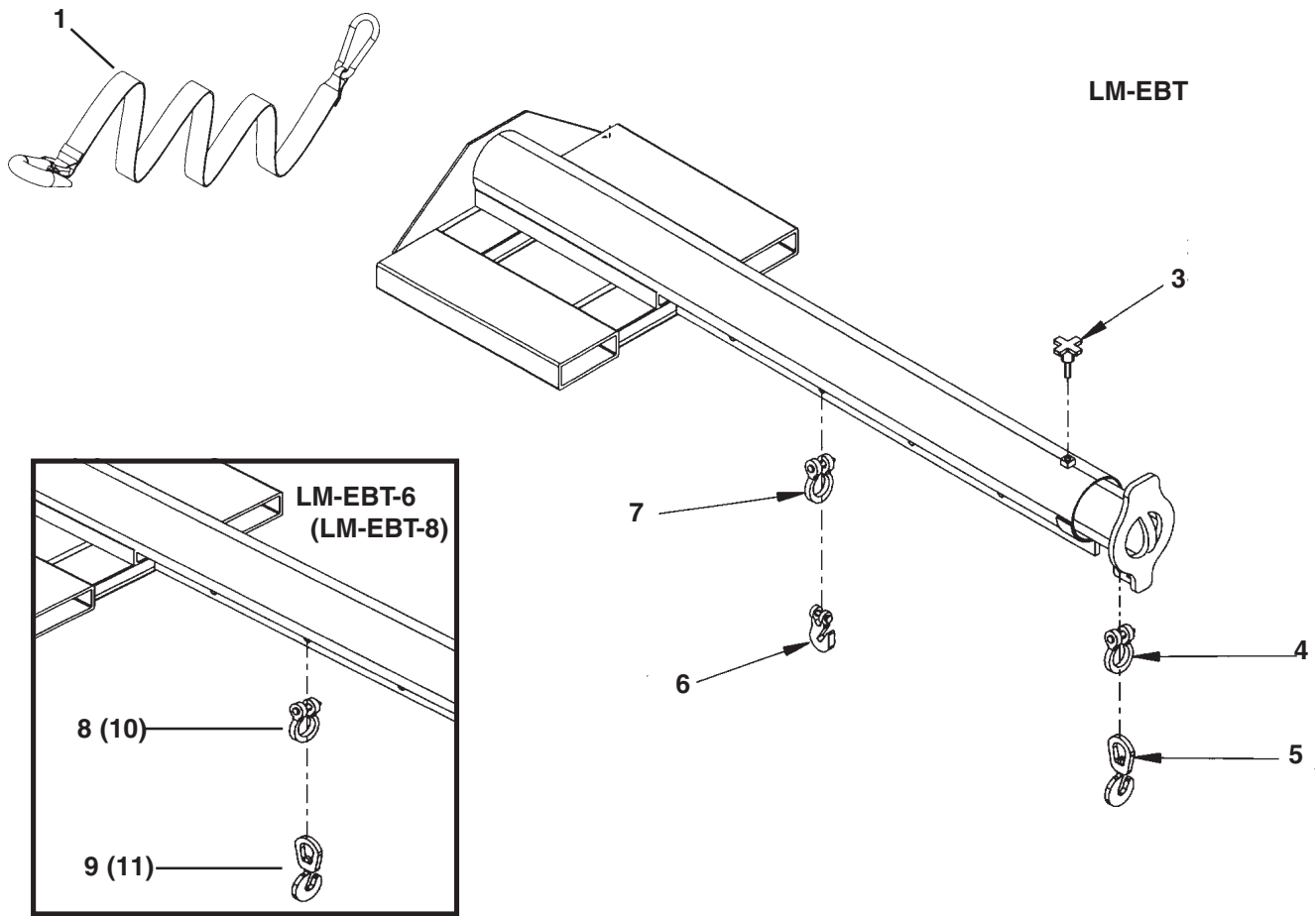
ITEM NO.	DESCRIPTION	ENGINEER NO.	PART NO.	QUANTITY
10	3 Ton Shackle	08-145-004	LMIT6-3TSKL	2
11	3 Ton Hook	08-112-002	LMIT6-3THK	2

**Model LM-IT-8**

ITEM NO.	DESCRIPTION	ENGINEER NO.	PART NO.	QUANTITY
12	4 Ton Shackle	08-145-025	LMIT8-4TSKL	2
13	4 Ton Hook	08-145-024	LMIT8-4THK	2

A/L- AVAILABLE LOCALLY

**PARTS IDENTIFICATION  
LIFT MASTER BOOM LM-EBT, LM-EBT-6 & LM-EBT-8**



**Model LM-EBT**

ITEM NO.	DESCRIPTION	ENGINEER NO.	PART NO.	QUANTITY
1	Restraint Strap	08-145-008	LMEBT4-STP	1
3	Knob	08-025-004	LMEBT4-KNB	1
4	Anchor Shackle	08-145-003	LMEBT4-ANSKL-1	1
5	2 Ton Swivel Hook	08-145-001	LMEBT4-2TSWHK	1
6	2 Ton Hook Hook(LM-EBT only)	08-145-009	LMEBT4-CGHK	1
7	2 Ton Shackle (LM-EBT only)	08-145-010	LMEBT4-ANSKL-2	1

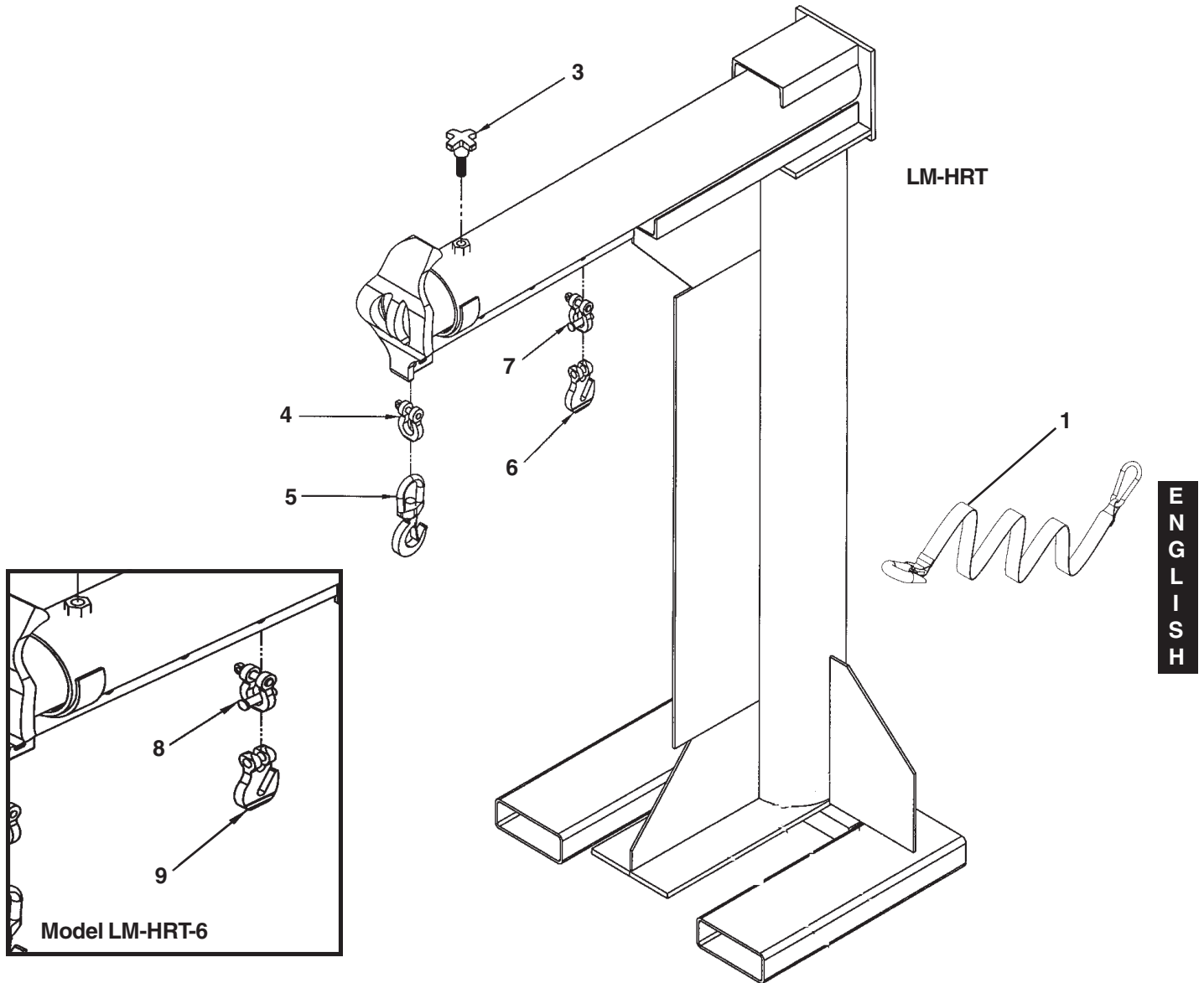
**Model LM-EBT-6**

ITEM NO.	DESCRIPTION	ENGINEER NO.	PART NO.	QUANTITY
8	Anchor Shackle	08-145-004	LMEBT6-ANSKL	2
9	3 Ton Swivel Hook	08-145-002	LMEBT6-3TSWHK	2

**Model LM-EBT-8**

ITEM NO.	DESCRIPTION	ENGINEER NO.	PART NO.	QUANTITY
10	Anchor Shackle	08-145-025	LMEBT8-ANSKL	2
11	4 Ton Swivel Hook	08-145-024	LMEBT8-3TSWHK	2

**PARTS IDENTIFICATION  
LIFT MASTER BOOM LM-HRT & LM-HRT-6**



**Model LM-HRT**

ITEM NO.	DESCRIPTION	ENGINEER NO.	PART NO.	QUANTITY
1	Restraint Strap	08-145-008	LMHRT4-STP	1
3	Knob	BH-0917-01	LMHRT4-KNB	1
4	Anchor Shackle - 1/2"	08-145-003	LMHRT4-ANSKL-1	1
5	2 Ton Swivel Hook	08-514-012	LMHRT4-2TSWHK	1
6	Clevis Grab Hook - 7/16"	08-145-009	LMHRT4-CGHK	1
7	Anchor Shackle - 5/8"	08-145-010	LMHRT4-ANSKL-2	1

**Model LM-HRT-6**

ITEM NO.	DESCRIPTION	ENGINEER NO.	PART NO.	QUANTITY
8	3 Ton Shackle	08-145-004	LMHRT6-3TSKL	2
9	3 Ton Swivel Hook	08-145-002	LMHRT6-3TSWHK	2



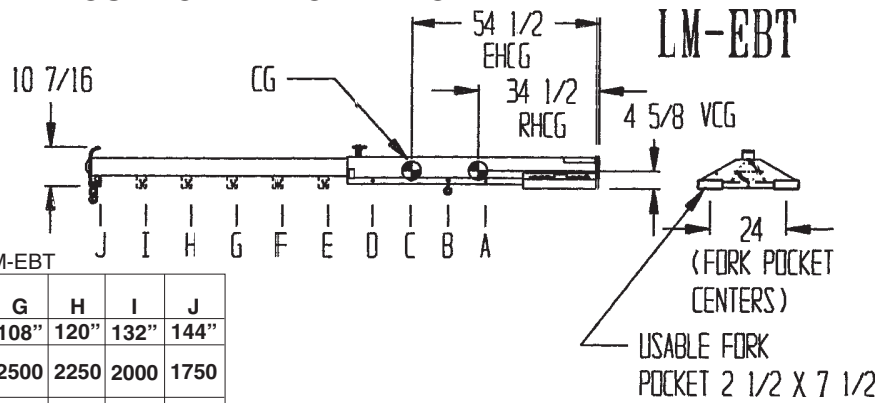
## MAXIMUM SINGLE HOOK BOOM CAPACITIES (LBS) AND LOST LOAD INFORMATION

### LOST LOAD FOR LM-EBT

4K	6K	8K
370 LBS	440 LBS	560 LBS

\*--MAXIMUM SINGLE HOOK CAPACITIES FOR LM-EBT

POSITION	MAX A	B	C	D	E	F	G	H	I	J
DISTANCE	36"	48"	60"	72"	84"	96"	108"	120"	132"	144"
LM-EBT-4K CAPACITY*	4000	3750	3500	3250	3000	2750	2500	2250	2000	1750
LM-EBT-6K CAPACITY*	6000	5000	4500	4000	3500	3000	2600	2300	2000	1750
LM-EBT-8K CAPACITY*	8000	6650	6000	5300	4650	4000	3500	3000	2600	2200

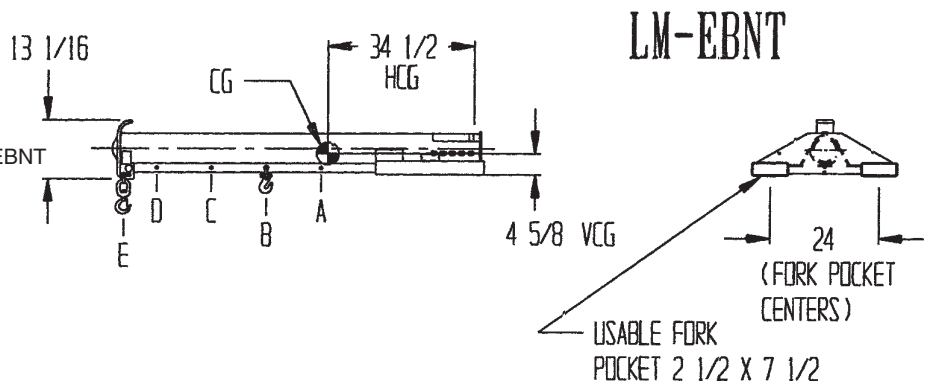


### LOST LOAD FOR LM-EBNT

4K	6K	8K
431 LBS	501 LBS	621 LBS

\*--MAXIMUM SINGLE HOOK CAPACITIES FOR LM-EBNT

POSITION	MAX A	B	C	D	E
DISTANCE	36"	48"	60"	72"	84"
LM-EBNT-4K CAPACITY*	4000	3750	3500	3250	3000
LM-EBNT-6K CAPACITY*	6000	5000	4500	4000	3500
LM-EBNT-8K CAPACITY*	8000	6650	6000	5300	4650

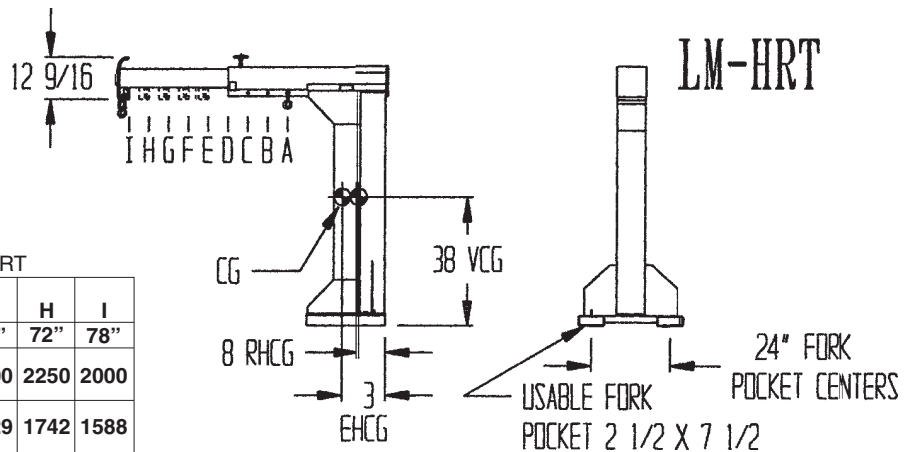


### LOST LOAD FOR LM-HRT

4K	6K
640 LBS	953 LBS

\*--MAXIMUM SINGLE HOOK CAPACITIES FOR LM-HRT

POSITION	MAX A	B	C	D	E	F	G	H	I
DISTANCE	30"	36"	42"	48"	54"	60"	66"	72"	78"
LM-HRT-4K CAPACITY*	4000	3750	3500	3250	3000	2750	2500	2250	2000
LM-HRT-6K CAPACITY*	6000	4500	3800	3000	2455	2160	1929	1742	1588

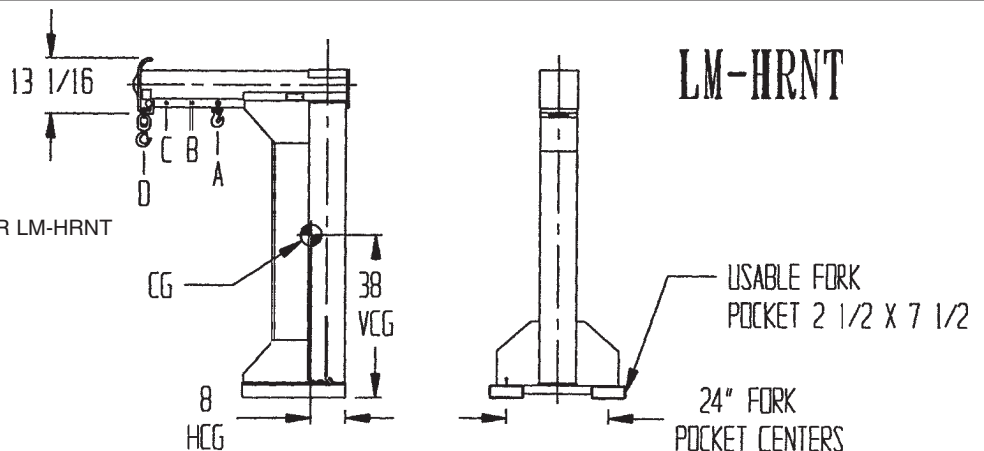


### LOST LOAD FOR LM-HRNT

4K	6K
627 LBS	735 LBS

\*--MAXIMUM SINGLE HOOK CAPACITIES FOR LM-HRNT

POSITION	MAX A	B	C	D
DISTANCE	30"	36"	42"	48"
LM-HRNT-4K CAPACITY*	4000	3750	3500	3250
LM-HRNT-6K CAPACITY*	6000	4500	3800	3000





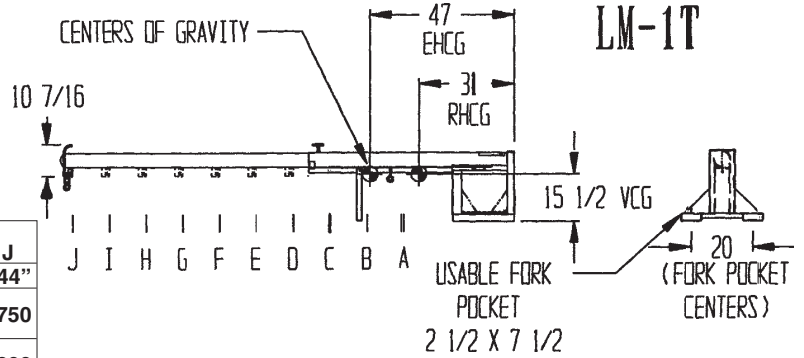
## MAXIMUM SINGLE HOOK BOOM CAPACITIES (LBS) AND LOST LOAD INFORMATION

### LOST LOAD FOR LM-1T

4K	6K	8K
424 LBS	494 LBS	614 LBS

\*--MAXIMUM SINGLE HOOK CAPACITIES FOR LM-1T

POSITION	MAX									
	A	B	C	D	E	F	G	H	I	J
DISTANCE	36"	48"	60"	72"	84"	96"	108"	120"	132"	144"
LM-1T-4K CAPACITY*	4000	3750	3500	3250	3000	2750	2500	2250	2000	1750
LM-1T-6K CAPACITY*	6000	5000	4500	4000	3500	3000	2600	2300	2000	1800
LM-1T-8K CAPACITY*	8000	6650	6000	5300	4650	4000	3500	3000	2600	2200

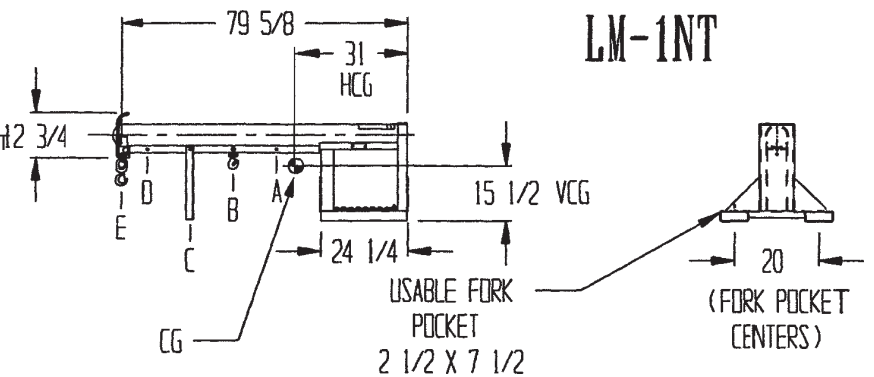


### LOST LOAD FOR LM-1NT

4K	6K	8K
403 LBS	473 LBS	593 LBS

\*--MAXIMUM SINGLE HOOK CAPACITIES FOR LM-1NT

POSITION	MAX				
	A	B	C	D	E
DISTANCE	36"	48"	60"	72"	82"
LM-1NT-4K CAPACITY*	4000	3750	3500	3250	3000
LM-1NT-6K CAPACITY*	6000	5000	4500	4000	3500
LM-1NT-8K CAPACITY*	8000	6650	6000	5300	4850

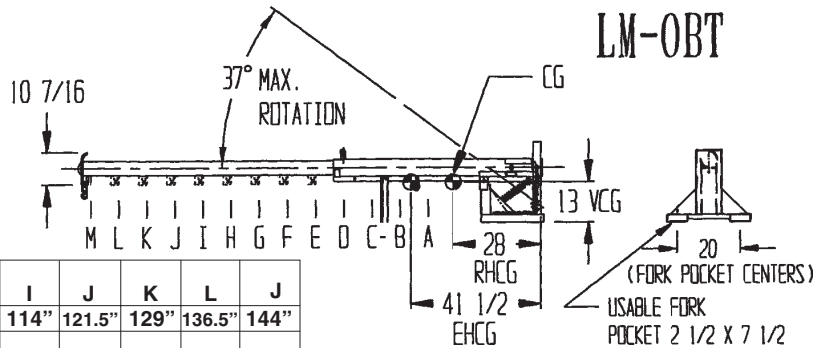


### LOST LOAD FOR LM-OBT

4K	6K	8K
500 LBS	570 LBS	734 LBS

\*--MAXIMUM SINGLE HOOK CAPACITIES FOR LM-OBT

POSITION	MAX												
	A	B	C	D	E	F	G	H	I	J	K	L	J
DISTANCE	36"	48"	60"	72"	84"	91.5"	99"	106.5"	114"	121.5"	129"	136.5"	144"
LM-OBT-4K CAPACITY*	4000	3750	3500	3250	3000	2845	2690	2450	2375	2220	2060	1945	1750
LM-OBT-6K CAPACITY*	6000	5000	4500	4000	3500	3100	2800	2665	2400	2280	2130	2000	1800
LM-OBT-8K CAPACITY*	8000	6650	6000	5300	4650	4000	3500	3000	2600	2200	2280	2130	2000

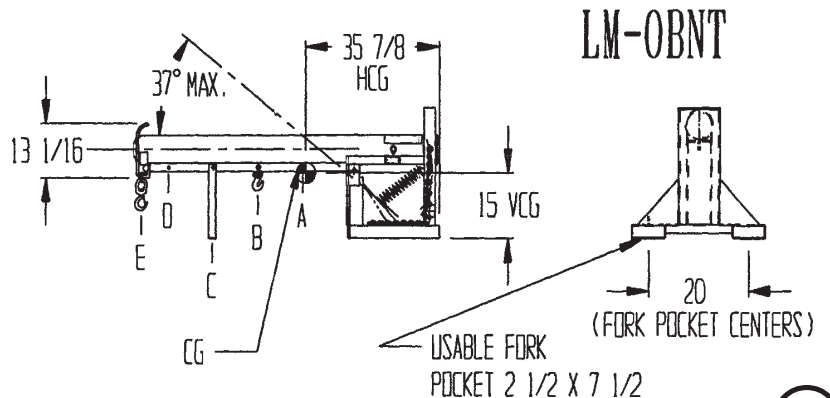


### LOST LOAD FOR LM-OBNT

4K	6K	8K
558 LBS	628 LBS	792 LBS

\*--MAXIMUM SINGLE HOOK CAPACITIES FOR LM-OBNT

POSITION	MAX				
	A	B	C	D	E
DISTANCE	36"	48"	60"	72"	82"
LM-OBNT-4K CAPACITY*	4000	3750	3500	3250	3000
LM-OBNT-6K CAPACITY*	6000	5000	4500	4000	3500
LM-OBNT-8K CAPACITY*	8000	6650	6000	5300	4650

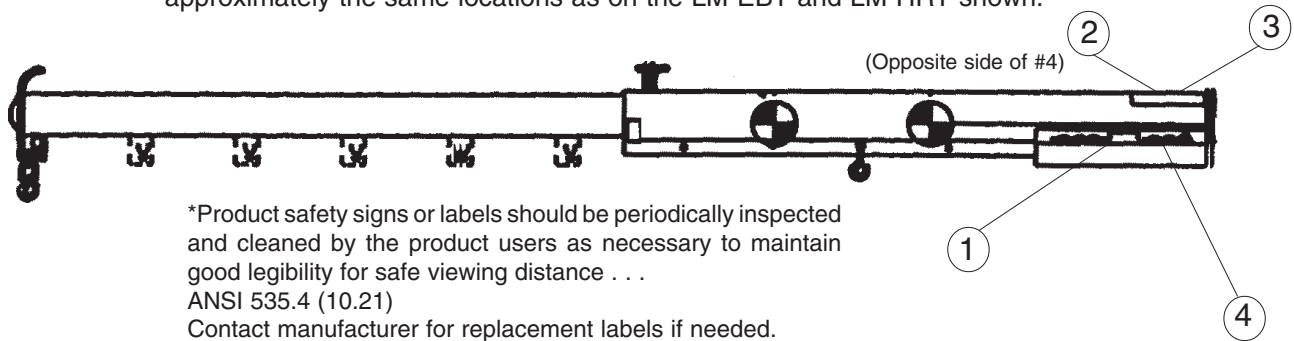


ENGLISH

# WARNING LABEL IDENTIFICATION

## MAKE SURE ALL WARNING LABELS ARE IN PLACE!

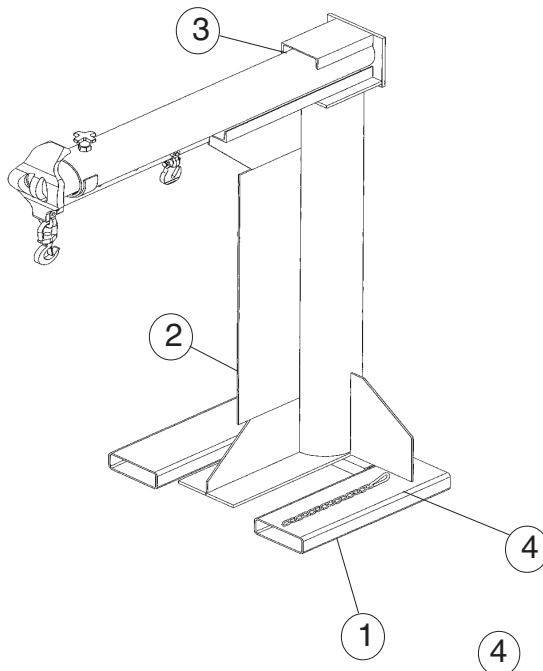
Most of our labels will be trilingual. The labels on all of the LM-Series Booms are located in approximately the same locations as on the LM-EBT and LM-HRT shown.



\*Product safety signs or labels should be periodically inspected and cleaned by the product users as necessary to maintain good legibility for safe viewing distance . . .  
ANSI 535.4 (10.21)  
Contact manufacturer for replacement labels if needed.

1

MODEL/MODÉLO/MODÈLE _____
CAPACITY _____ lbs.
CAPACIDAD/CAPACITÉ _____ kgs.
SERIAL/SERIE/SÉRIE _____
VESTIL MANUFACTURING CORPORATION sales@vestil.com - www.vestil.com 287 REV 09/03



3

<b>⚠ WARNING</b>				
THIS BOOM SHOULD NOT BE USED ON UNEVEN GROUND. CONSULT YOUR FORK TRUCK MANUFACTURER TO VERIFY THAT YOUR TRUCK MEETS OR EXCEEDS THE FOLLOWING TABLE WHICH IS BASED ON A LOAD HEIGHT NOT EXCEEDING 60 INCHES. CONSULT FORK TRUCK MANUFACTURER FOR FORK LIFT SPECIFICATIONS OVER 60 INCHES. OPERATOR RIGGING TRAINING RECOMMENDED PRIOR TO USE.				
<b>⚠ ADVERTENCIA</b>				
ESTA PLUMA NO DEBE USARSE EN PISO DESIGUAL. CONSULTE CON EL FABRICANTE DEL MONTACARGAS PARA VERIFICAR QUE SU MONTACARGAS REUNE O EXCEDE LA SIGUIENTE TABLE QUE ESTÁ BASADA EN ALTURA DE CARGA QUE NO EXCEDA 1524 MM. CONSULTE EL MANUAL DEL PROPIETARIO PARA ESPECIFICACIONES DE MONTACARGAS PARA MÁS DE 1524 MM. SE RECOMIENDA EL APRENDIZAJE DE APAREJOS ANTES DEL USO.				
<b>⚠ AVERTISSEMENT</b>				
CET ACCROISSEMENT NE DEVRAIT PAS ÊTRE UTILISÉ SUR UN SOL INÉGAL. CONSULTEZ VOTRE MANUAL D'UTILISATION POUR CHARIOT ÉLEVATEUR AFIN DE VÉRIFIER QUE VOTRE MONTE-CHARGE RENCONTRE OU EXÈDE LES EXIGENCES SUIVANTES. CE TABLEAU EST BASÉ SUR UNE HAUTEUR DE CHARGEMENT NE DÉPASSANT PAS 1524 MM CONSULTEZ VOTRE FABRICANT DE CHARIOTS ÉLEVATEURS POUR LES SPÉCIFICATIONS D'UN MONTE-CHARGE DONT LA HAUTEUR DE CHARGEMENT EST SUPÉRIEURE À 1524 MM.				
<b>LIFTING CAPACITIES GUIDELINES - LB.</b>	<b>GUIA DE CAPACIDAD DE ELEVACIÓN - KG.</b>	<b>GUIDE DES CAPACITÉS D'ÉLEVATION - KG.</b>		
<b>CAPACITY OF FORK TRUCK</b>	<b>DISTANCE FROM MAST FACE TO LOAD CENTER</b>			
<b>CAPACIDAD DEL MONTACARGA</b>	<b>DISTANCIA DE LA CARGA DEL MÁSTIL AL CENTRO DE CARGA</b>			
<b>CAPACITÉ DU MONTE-CHARGE</b>	<b>DISTANCE DE LA FACE DU MÂT AU CENTRE DE CHARGE EN MM</b>			
	6 ft./1828 mm	8ft./2438 mm	10 ft./3044 mm	12 ft./3657 mm
2000 lb./907 kg.	590 lb./267 kg.	500 lb./226 kg.	410 lb./186 kg.	325 lb./147 kg.
3000 lb./1360 kg.	925 lb./419 kg.	800 lb./362 kg.	675 lb./306 kg.	550 lb./249 kg.
4000 lb./1814 kg.	1400 lb./635 kg.	1200 lb./544 kg.	1000 lb./453 kg.	800 lb./362 kg.
5000 lb./2268 kg.	1725 lb./782 kg.	1500 lb./680 kg.	1275 lb./578 kg.	1050 lb./476 kg.
6000 lb./2721 kg.	2125 lb./963 kg.	1800 lb./839 kg.	1575 lb./714 kg.	1300 lb./589 kg.
7000 lb./3175 kg.	2565 lb./1163 kg.	2225 lb./1009 kg.	1886 lb./865 kg.	1550 lb./703 kg.
8000 lb./3628 kg.	3000 lb./1360 kg.	2600 lb./1179 kg.	2200 lb./997 kg.	1800 lb./816 kg.
9000 lb./4082 kg.	3350 lb./1519 kg.	2900 lb./1315 kg.	2460 lb./1111 kg.	2000 lb./907 kg.
10,000 lb./4536 kg.	3900 lb./1769 kg.	3400 lb./1542 kg.	2900 lb./1315 kg.	2400 lb./1088 kg.
<b>VESTIL MANUFACTURING COMPANY, ANGOLA, INDIANA USA</b> Ph: (260) 665-7586 - Fax: (260) 665-1339 - www.vestil.com 278 Revised 06/03				