

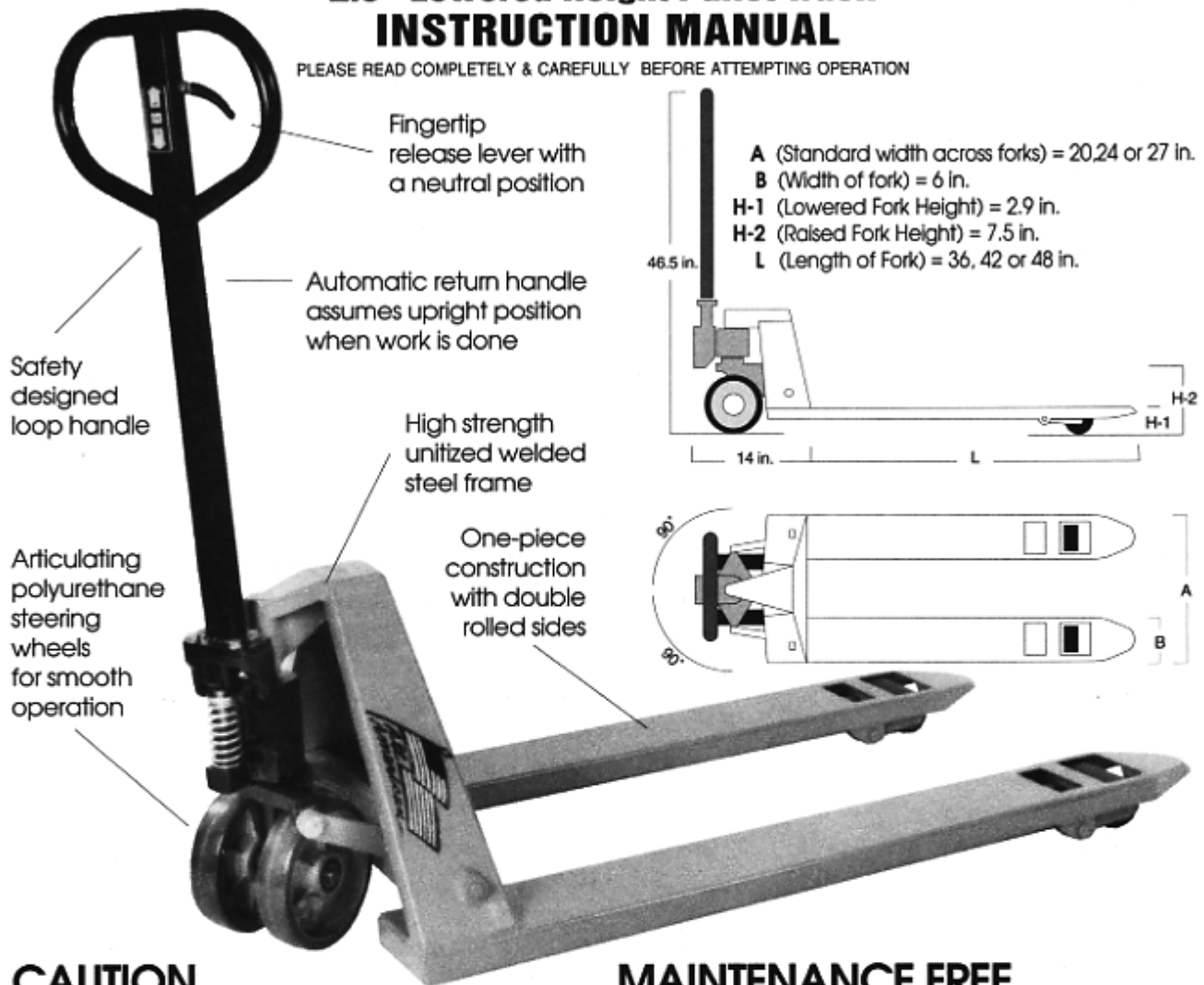
ALL AMERICAN

2.9" Lowered Height Pallet Truck

INSTRUCTION MANUAL

FORM 2195-2.9 L.H.
PART ★AA-PM-2.9

PLEASE READ COMPLETELY & CAREFULLY BEFORE ATTEMPTING OPERATION



CAUTION

1. **DO NOT** OPERATE WITH UNSTABLE OR LOOSELY STACKED LOAD.
2. KEEP HANDS & FEET AWAY FROM LOWERING FORKS, WHEELS & ALL MOVING PARTS OF TRUCK.
3. **DO NOT** OPERATE TRUCK ON A SLOPE.
4. CLEAR IMMEDIATE AREA OF PERSONNEL WHEN OPERATING TRUCK.
5. **DO NOT** RIDE OR ALLOW OTHERS TO RIDE FORKLIFTS.
6. **DO NOT** MOVE LOADED TRUCK TOO FAST.
7. KEEP A CLOSE WATCH ON THE CONDITION OF THE LOAD. REDISTRIBUTE LOAD AS NECESSARY
8. **DO NOT** CONCENTRATE LOAD AT ONE POINT OR LOAD ONE FORK MORE THAN THE OTHER.
9. READ OPERATION MANUAL CAREFULLY & COMPLETELY BEFORE ATTEMPTING TO OPERATE TRUCK.

HOW TO OPERATE

1. HOLD THE RELEASE LEVER UP - THE TRUCK WILL LOWER.
2. LET RELEASE LEVER RETURN TO THE DOWN POSITION TO PUMP TRUCK UP.
3. THE NEUTRAL POSITION FREES HYDRAULIC PRESSURE MAKING MOVEMENT OF THE LOAD EASIER.
4. REFER TO OPERATIONS DIAGRAM ON THE BACK OF THE HANDLE.

MAINTENANCE FREE

1. **DO NOT** OVERLOAD
2. WHEN JACK DOES NOT LIFT TO FULL HEIGHT - REMOVE OIL PLUG AND ADD HYDRAULIC FLUID.
3. **DO NOT** LEAVE PALLET TRUCK UNDER LOAD. WHEN NOT IN USE, RELEASE HYDRAULIC PRESSURE TO LOWER THE FORKS.

RECOMMENDED OIL - DEXTRON II

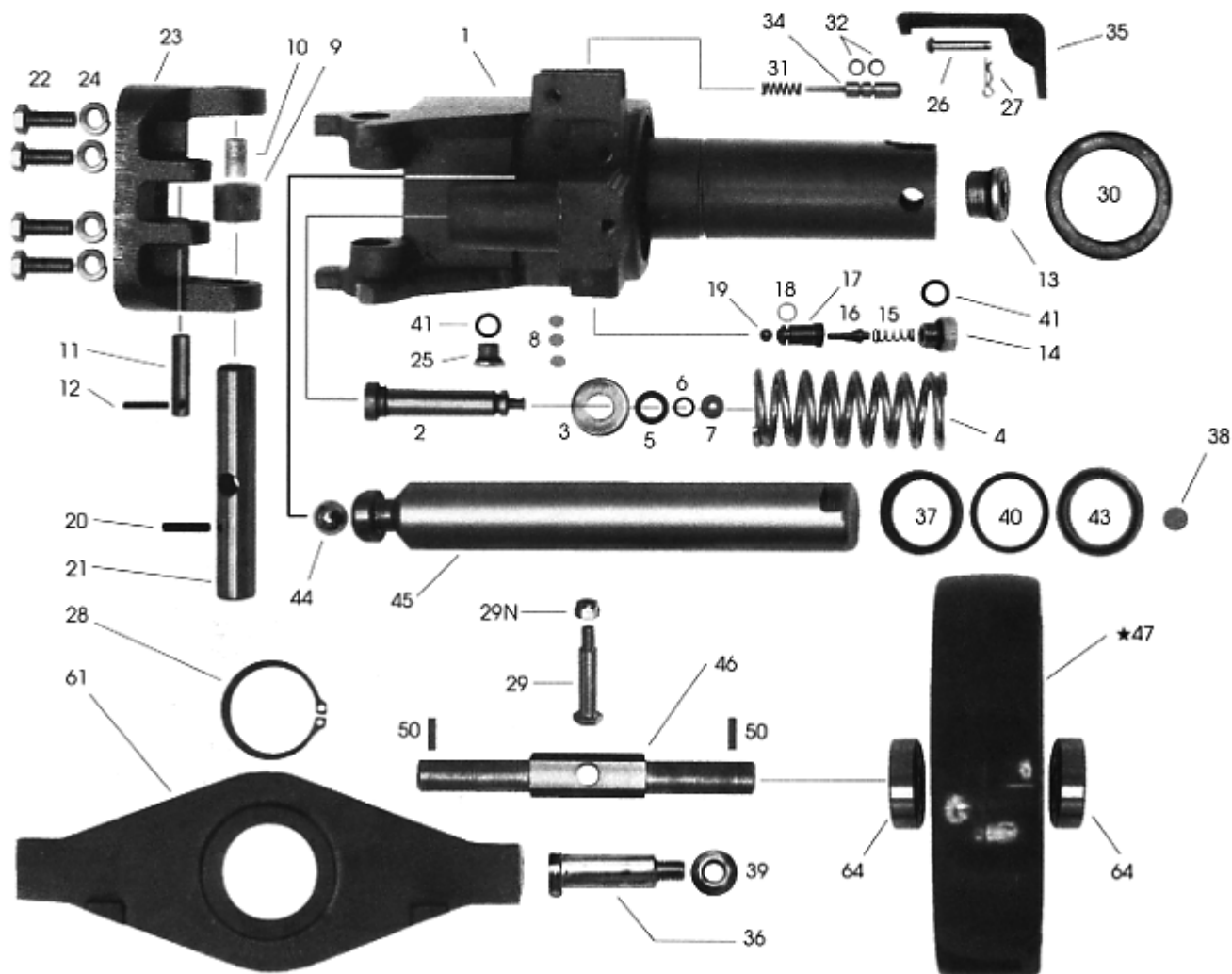
WESLEY  **INTERNATIONAL CORPORATION**

P.O. Box 934
3680 Chestnut Street
Scottsdale, GA 30079

(404) 292-7441
(800) 241-2869

FAX (404) 292-8469

#	PART	DESCRIPTION	REQ.	#	PART	DESCRIPTION	REQ.
1	AA-01.3	PUMP HOUSING DRILLED, 5000#	1	23	AA-23	HANDLE BASE	1
1	AA-01.5	PUMP HOUSING DRILLED, 6000#	1	23	AA-23	COMPLETE HANDLE BASE WITH PARTS 9,10,11 AND 12	1
2	AA-02.3	PUMP PISTON, .75 in. FOR 5000 LB. UNIT	1	24	AA-24	LOCK WASHERS	4
2	AA-02.5	PUMP PISTON, .625 in. FOR 6000 LB. UNIT	1	25	AA-25	HYDRAULIC PLUG	1
3	AA-03.3	PISTON WASHER FOR 5000 LB. UNIT	1	26	AA-26	CLEVIS PIN	1
3	AA-03.5	PISTON WASHER FOR 6000 LB. UNIT	1	27	AA-27	CLIP PIN	1
4	AA-04	SPRING, PISTON RETURN	1	28	AA-28	SNAP RING	1
5	AA-05.3	WIPER, PUMP PISTON, .75 in. FOR 5000 LB. UNIT	1	29	AA-29	SHOULDER BOLT	1
5	AA-05.5	WIPER, PUMP PISTON, .625 in. FOR 6000 LB. UNIT	1	29	AA-29N	NYLON LOCK NUT FOR SHOULDER BOLT	1
6	AA-06.3	O-RING, .75 in. FOR 5000 LB. UNIT	1	30	AA-30	THRUST BEARING	1
6	AA-06.5	O-RING, .625 in. FOR 6000 LB. UNIT	1	31	AA-31	SPRING, PLUNGER	1
7	AA-07.3	U-CUP, .75 in. FOR 5000 LB. UNIT	1	32	AA-32	O-RING	2
7	AA-07.5	U-CUP, .625 in. FOR 6000 LB. UNIT	1	34	AA-34	RELEASE PLUNGER	1
8	AA-08	HYDRAULIC PLUG (PERMANENTLY INSTALLED)	3	35	AA-35	LOWERING ARM	1
9	AA-09	PISTON ROLLER	1	36	AA-36	LOAD BAR PIVOT BOLT	2
10	AA-10	BUSHING	1	37	AA-37	RAM WIPER	1
11	AA-11	AXLE	1	38	AA-38	MAGNET	1
12	AA-12	ROLL PIN, .125 in. x .75 in.	1	39	AA-39	FLANGED NUT	2
13	AA-13	HYDRAULIC PLUG (PERMANENTLY INSTALLED)	1	40	AA-40	O-RING, RAM	1
14	AA-14	HYDRAULIC PLUG	1	41	AA-41	O-RING	2
15	AA-15	SPRING, HIGH PRESSURE	1	43	AA-43	U-CUP, RAM	1
16	AA-16	VALVE CONE	1	44	AA-44	PIVOT BALL, RAM	1
17	AA-17	VALVE CONE HOUSING	1	45	AA-45	LIFT RAM	1
18	AA-18	O-RING HOUSING	1	46	AA-46	AXLE, STEERING WHEEL	1
19	AA-19	BALL, LOW PRESSURE	1	* 47	AA-47-2.9	STEERING WHEEL NOTE LOWERED TRUCK HEIGHT	2
20	AA-20	ROLL PIN, .1875 in. x 1.25 in.	1	50	AA-50	ROLL PIN, .1875 in. x 1 in.	4
21	AA-21	AXLE, HANDLE BASE	1	61	AA-61	LOAD BAR	1
22	AA-22	HANDLE BOLTS	4				



PHOTOS NOT TO SCALE

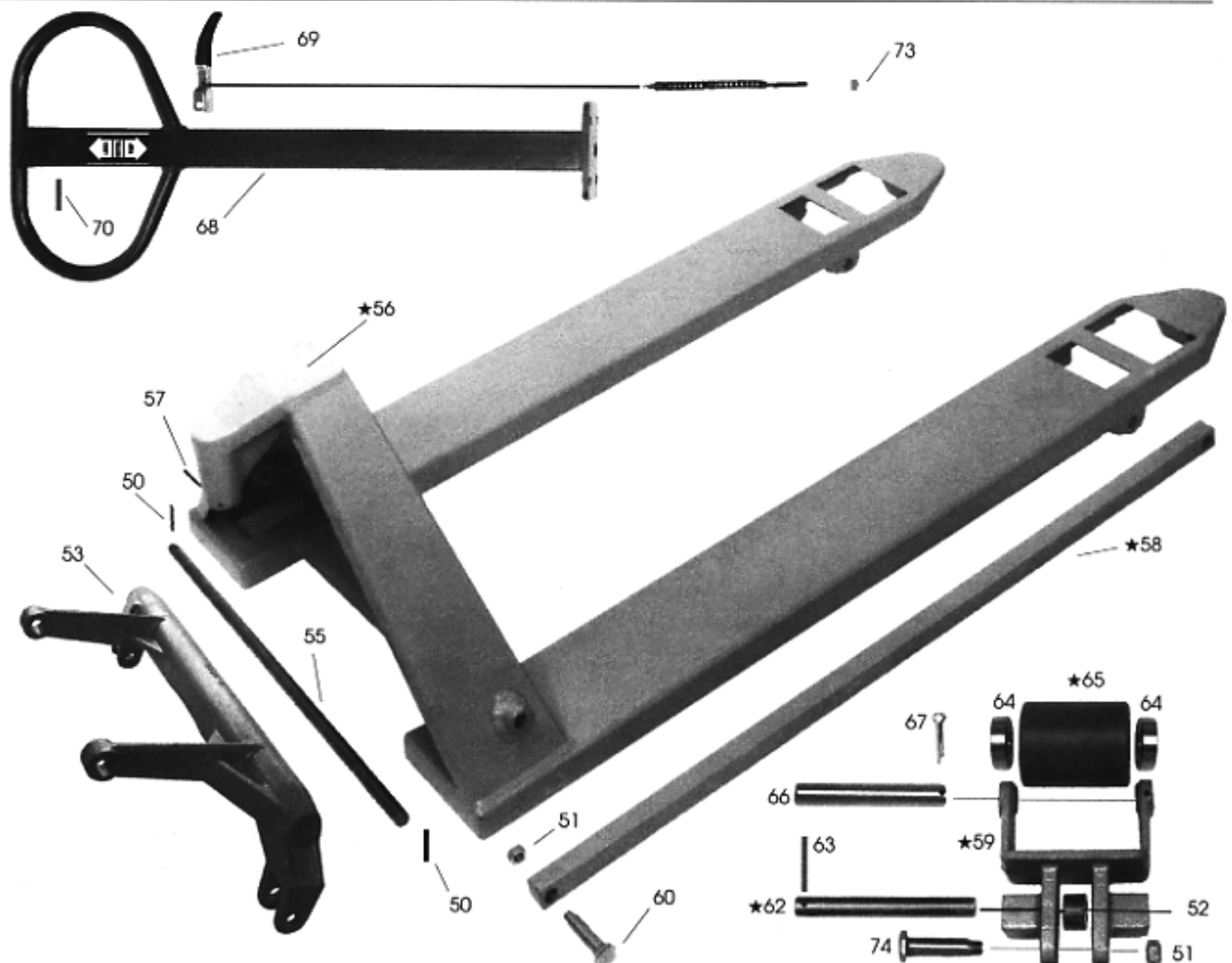
#	PART	DESCRIPTION	REQ.
51	AA-51	LOCK NUT	4
52	AA-52	EXIT ROLLER	2
53	AA-53-7	SOLID BELLCRANK FOR 27 in. WIDE TRUCK	1
53	AA-53-4	BELLCRANK FOR 24 in. WIDE TRUCK	1
53	AA-53-0	SOLID BELLCRANK FOR 20 in. WIDE TRUCK	1
55	AA-55-7	TORSION ROD FOR 27 in. WIDE TRUCK	1
55	AA-55-4	TORSION ROD FOR 24 in. WIDE TRUCK	1
55	AA-55-0	TORSION ROD FOR 20 in. WIDE TRUCK	1
★ 56	AA-56-2.9	FRAME, NOTE LENGTH, WIDTH AND WEIGHT CAPACITY	1
57	AA-57	ROLL PIN, .1875 in. x 1.5 in.	1
★ 58	AA-58-2.9	PUSH RODS, NOTE LENGTH & LOWERED HEIGHT OF FORKS	2
★ 59	AA-59-2.9	LOAD WHEEL FORK	2
60	AA-60	SHORT BOLT	2
★ 62	AA-62-2.9	FORK AXLE .5 in. x 6.125 in.	2
63	AA-63	ROLL PIN, .1875 in. x 2 in.	2
64	AA-64	BEARING, FOR BOTH STEERING & LOAD WHEELS	8
★ 65	AA-65-2.9	LOAD WHEEL, NOTE LOWERED TRUCK HT. 2.875 in. x 4 in.	2
66	AA-66	LOAD WHEEL AXLE	2
67	AA-67	COTTER PIN, LOAD WHEEL AXLE	2
68	AA-68	STEERING HANDLE	1
69	AA-69	RELEASE LEVER & LINKAGE	1
70	AA-70	ROLL PIN, .1875 in. x 1.25 in.	1
73	AA-73	NUT	1
74	AA-74	LONG BOLT	2

ASSEMBLIES & KITS (NOT ILLUSTRATED)

AA-01 PUMP ASSY	PUMP ASSEMBLY
AA-01 PH	PUMP & HANDLE;
★ AA-01 PHW	PUMP, HANDLE & WHEELS; 2.9 in. L.H.
★ AA-2.875 x 4 PM	POLY LOAD WHEEL; 2.9 in. L.H.
★ AA-2.875 x 4 PMW/B	POLY LOAD WHEEL/BEARING; 2.9 in. L.H.
★ AA-7.25 x 2 PM	POLY LOAD WHEEL W/BEARINGS; 2.9 in. L.H.
★ AA-7.25 x 2 PMW/B	STEEL LOAD WHEEL W/BEARINGS; 2.9 in. L.H.
AA-68 COMPLETE	HANDLE ASSEMBLY WITH AA-68, AA-69, AA-70 & AA-73
AA-76-5000	5000 LB. PUMP REBUILD KIT WITH AA-05.3, AA-06.3, AA-07.3, AA-15, AA-18, AA-19, AA-31, (2) AA-32, AA-37, AA-40, (2) AA-41 & AA-43
AA-76-6000	6000 LB. PUMP REBUILD KIT WITH AA-05.5, AA-06.5, AA-07.5, AA-15, AA-18, AA-19, AA-31, (2) AA-32, AA-37, AA-40, (2) AA-41 & AA-43
★ AA-PM-2.9	ALL AMERICAN PARTS & SERVICE MANUAL

- NOTICE -

REFERENCE NUMBERS PRECEDED BY A STAR
(★)
ARE SPECIFICALLY DESIGNED
FOR 2.9' LOWERED HEIGHT TRUCKS AND
ARE NOT APPLICABLE TO STANDARD UNITS.
OTHER PARTS ARE INTERCHANGABLE.



PHOTOS NOT TO SCALE

TROUBLE SHOOTING

APPLY REMEDIES IN THE ORDER SUGGESTED

THOROUGHLY CLEAN ALL DISMANTLED PARTS - ALWAYS REPLACE O-RINGS AND U-CUPS

	PROBLEM	PROBABLE CAUSE	REMEDY
1	JACK DOES NOT LIFT WHEN THE HANDLE IS OPERATED	AIR IN THE HYDRAULIC SYSTEM OR INSUFFICIENT HYDRAULIC OIL	HOLDING THE LEVER UP, PULL THE LOOP-HANDLE UP & DOWN SEVERAL TIMES REMOVE THE AA-25 OIL PLUG AND ADD OIL
2	THE FORKS DO NOT RISE WHEN THE VALVE HANDLE IS IN THE LIFTING POSITION	INSUFFICIENT HYDRAULIC OIL OR AA-19 BALL DOES NOT SEAT	REMOVE OIL PLUG AND ADD OIL: ADJUST THE VALVE CHAIN WITH AA-73 ADJUSTING NUT & CHECK THE AA-34 RELEASE PLUNGER CHANGE AA-19 STEEL BALL
3	THE FORKS LOWER AFTER EVERY PUMP STROKE	AA-16 VALVE CONE HAS TRASH ON SEAT	CLEAN VALVE CONE SEAT CHANGE AA-16 VALVE CONE; AA-17 VALVE CONE HOUSING; AA-18 O-RING
4	LOWERING ACTION DOES NOT FUNCTION OR LOWERS VERY SLOWLY	THE LOWERING ARM DOES NOT GO IN PROPERLY	ADJUST THE VALVE CHAIN WITH AA-73 ADJUSTING NUT CHECK AA-34 RELEASE PLUNGER
5	THE FORKS LOWER WHEN THE TRUCK IS IN THE RAISED POSITION	LEAK FROM THE VALVE CONE OR LEAK FROM U-CUP IN THE BOTTOM PLATE	CLEAN VALVE CONE SEAT CHANGE AA-16 VALVE CONE; AA-17 VALVE HOUSING AND AA-18 O-RING CHANGE AA-43 U-CUP
6	THE FORKS RISE WHEN THE HANDLE IS IN THE NEUTRAL POSITION		ADJUST THE VALVE CHAIN WITH AA-73 ADJUSTING NUT
7	OIL LEAKS FROM AA-34 RELEASE PLUNGER	O-RING DAMAGED OR WORN	CHANGE AA-32 O-RINGS

NOTE: WHEN OVERHAULING HYDRAULIC SYSTEM, TOTAL CLEANLINESS SHOULD BE OBSERVED. DISMANTLED PARTS SHOULD BE CAREFULLY CLEANED AND INSPECTED. ALWAYS REPLACE O-RINGS AND U-CUPS.

CAUTION! IF YOU ARE UNABLE TO SOLVE THE PROBLEM, CONTACT YOUR AUTHORIZED REPAIR CENTER

WARRANTY:

- SIX MONTHS PARTS AND LABOR ON PUMP AND FRAME
- WARRANTY PERIOD BEGINS 2 DAYS AFTER DEALER SHIP DATE TO CUSTOMER