



Height	Arms	Single Uprights			Double Uprights			Capacity per Side
		Model #	Base	Ship Wt.	Model #	Base	Ship Wt.	
8'	12" & 18"	SS832	32"	190	DS846	46"	210	15,000# & 13,000#
8'	24"	SS838	38"	200	DS858	58"	225	11,000#
8'	30" & 36"	SS850	50"	215	DS882	82"	260	9,500# & 8,000#
8'	42" & 48"	SS862	62"	235	DS8106	106"	295	7,500# & 6,500#
10'	12" & 18"	SS1032	32"	215	DS1046	46"	235	15,000# & 13,000#
10'	24"	SS1038	38"	225	DS1058	58"	255	11,000#
10'	30" & 36"	SS1050	50"	245	DS1082	82"	290	9,500# & 8,000#
10'	42" & 48"	SS1062	62"	260	DS10106	106"	325	7,500# & 6,500#
12'	12" & 18"	SS1232	32"	245	DS1246	46"	270	15,000# & 13,000#
12'	24"	SS1238	38"	255	DS1258	58"	285	11,000#
12'	30" & 36"	SS1250	50"	270	DS1282	82"	320	9,500# & 8,000#
12'	42" & 48"	SS1262	62"	290	DS12106	106"	355	7,500# & 6,500#
14'	24"	SS1438	38"	280	DS1458	58"	310	11,000#
14'	30" & 36"	SS1450	50"	300	DS1482	82"	345	9,500# & 8,000#
14'	42" & 48"	SS1462	62"	315	DS14106	106"	380	7,500# & 6,500#
s 16'	24"	SS1638	38"	310	DS1658	58"	340	11,000#
s 16'	30" & 36"	SS1650	50"	330	DS1682	82"	375	9,500# & 8,000#
s 16'	42" & 48"	SS1662	62"	345	DS16106	106"	410	7,500# & 6,500#
s 18'	30" & 36"	SS1850	50"	355	DS1882	82"	400	9,500 & 8,000#
s 18'	42" & 48"	SS1862	62"	375	DS18106	106"	435	7,500# & 6,500#
s 20'	30" & 36"	SS2050	50"	385	DS2082	82"	430	9,500# & 8,000#
s 20'	42" & 48"	SS2062	62"	400	DS20106	106"	470	7,500# & 6,500#

s Must be anchored (anchors not included)



Intermediate Duty Inclined Arms				
Model #	Height	Length	Capacity	Ship Wt.
IIA12	3"	12"	3000#	9
IIA18	3"	18"	2500#	11
IIA24	3"	24"	2000#	13
IIA30	3"	30"	1500 #	15
IIA36	3"	36"	1200#	17
IIA48	3"	48"	1,000#	23

For more capacity you can use the Heavy Duty & Extra Heavy Duty arms. Inclined arm has 20 degree incline.

Add "L" to end of part # for lip

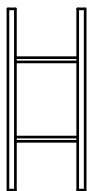
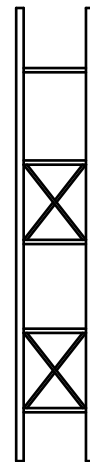
Pipe Sockets available upon request

There is a 20 degree pitch on inclined arms.

Intermediate Duty Straight Arms				
Model #	Height	Length	Capacity	Ship Wt.
ISA12	3"	12"	3000#	9
ISA18	3"	18"	2500#	11
ISA24	3"	24"	2000#	13
ISA30	3"	30"	1500#	15
ISA36	3"	36"	1200#	17
ISA42	3"	42"	1100#	19
ISA48	3"	48"	1000#	21

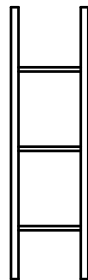
There is 3/8" per foot pitch on straight arms to compensate for deflection.

Intermediate Duty Horizontal Braces



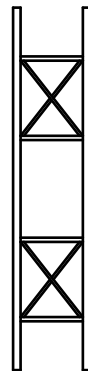
(Set of 2)

For 8' - 10' Uprights		
Model	Length	Ship Wt.
B236	36"	26
B248	48"	32
B260	60"	40
B272	72"	46
B284	84"	54
B296	96"	60



(Set of 3)

For 12' - 14' Uprights		
Model	Length	Ship Wt.
B336	36"	39
B348	48"	48
B360	60"	60
B372	72"	69
B384	84"	81
B396	96"	90



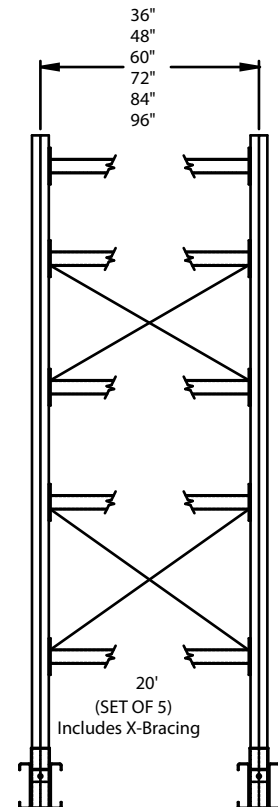
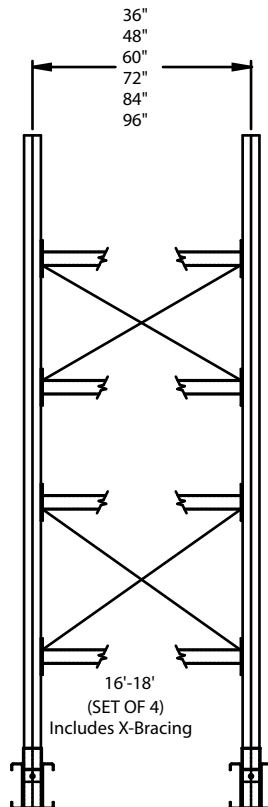
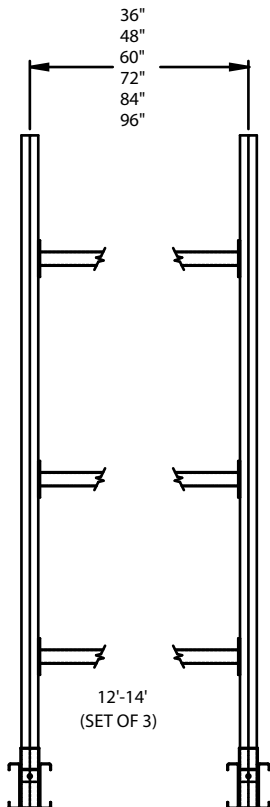
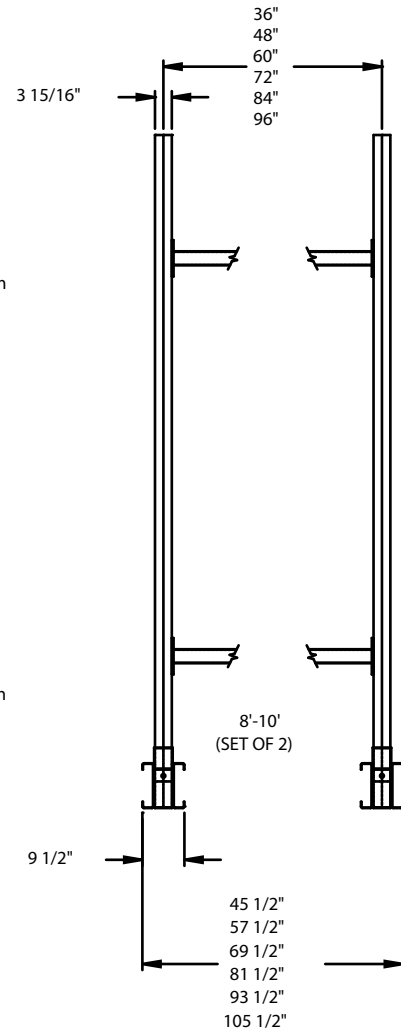
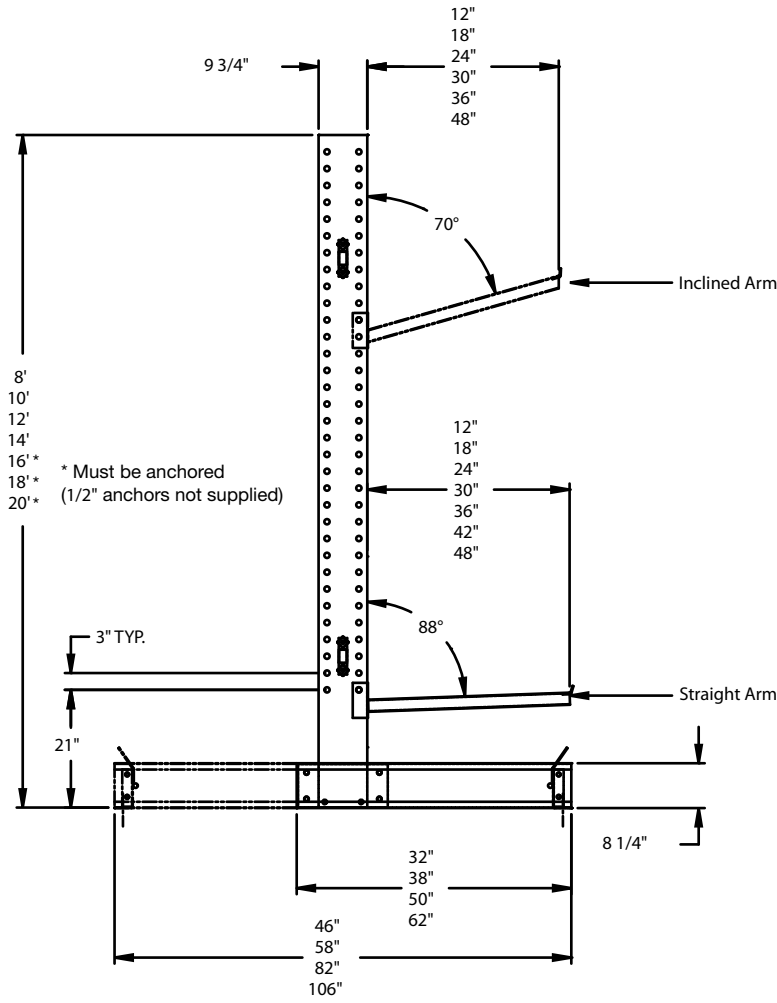
(Set of 4 - Includes X-Bracing)

For 16' - 18' Uprights		
Model	Length	Ship Wt.
B436XX	36"	72
B448XX	48"	86
B460XX	60"	105
B472XX	72"	120
B484XX	84"	140
B496XX	96"	155

(Set of 5 - Includes X-Bracing)

For 20' Uprights		
Model	Length	Ship Wt.
B536XX	36"	85
B548XX	48"	102
B560XX	60"	125
B572XX	72"	143
B584XX	84"	166
B596XX	96"	185

INTERMEDIATE CANTILEVER



WEST POINT RACK INC

We don't just promise...we deliver!

INTERMEDIATE DUTY STRAIGHT ARMS

MODEL No. HEIGHT LENGTH CAPACITY SHIP/WT.

MODEL No.	HEIGHT	LENGTH	CAPACITY	SHIP/WT.
ISA12	3"	12"	3000#	9
ISA18	3"	18"	2500#	11
ISA24	3"	24"	2000#	13
ISA30	3"	30"	1500#	15
ISA36	3"	36"	1200#	17
ISA42	3"	42"	1100#	19
ISA48	3"	48"	1000#	21

There is 3/8" per foot pitch on straight arms to compensate for deflection.

INTERMEDIATE DUTY INCLINED ARMS

MODEL No. HEIGHT LENGTH CAPACITY SHIP/WT.

MODEL No.	HEIGHT	LENGTH	CAPACITY	SHIP/WT.
IIA12	3"	12"	3000#	9
IIA18	3"	18"	2500#	11
IIA24	3"	24"	2000#	13
IIA30	3"	30"	1500#	15
IIA36	3"	36"	1200#	17

For more capacity you can use the HEAVY DUTY & EXTRA HEAVY DUTY arms.

Add "L" to end of part Model No. for lip.

Pipe Sockets available upon request.
There is a 20 degree pitch in Inclined arms.

HEAVY DUTY ARMS

MODEL No. HEIGHT LENGTH CAPACITY SHIP/WT.

MODEL No.	HEIGHT	LENGTH	CAPACITY	SHIP/WT.
XSA18	4"	18"	5500#	17
XSA24	4"	24"	4100#	20
XSA30	4"	30"	3300#	23
XSA36	4"	36"	2750#	26
XSA42	4"	42"	2300#	28
XSA48	4"	48"	2000#	33
XSA60	4"	60"	1650#	37

These arms can be used with the Intermediate Cantilever

Add "L" to the end of the part Model No. for lip.

EXTRA HEAVY DUTY ARMS

MODEL No. HEIGHT LENGTH CAPACITY SHIP/WT.

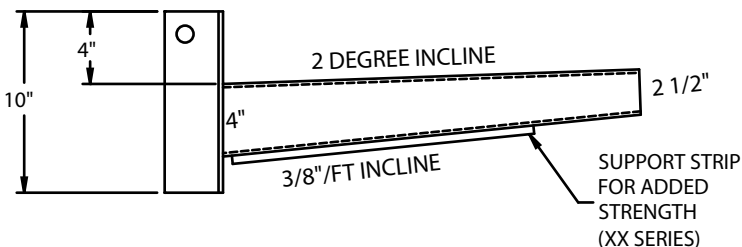
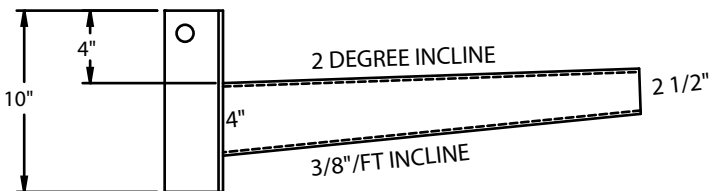
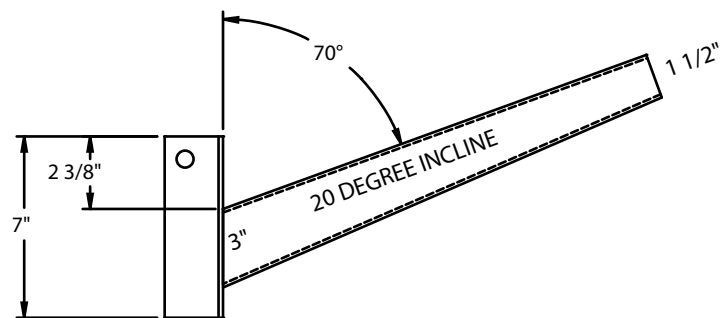
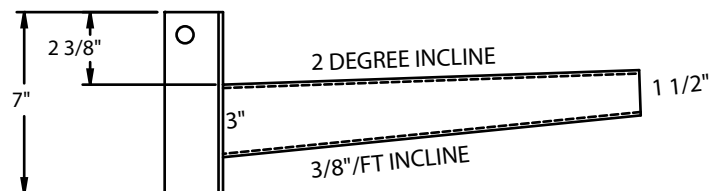
MODEL No.	HEIGHT	LENGTH	CAPACITY	SHIP/WT.
XXSA24	4"	24"	6200#	20
XXSA30	4"	30"	4990#	23
XXSA36	4"	36"	4100#	26
XXSA42	4"	42"	3500#	28
XXSA48	4"	48"	3000#	33
XXXSA48	4"	48"	4000#	33
XXSA60	4"	60"	2490#	37

These arms can be used with the Intermediate Cantilever

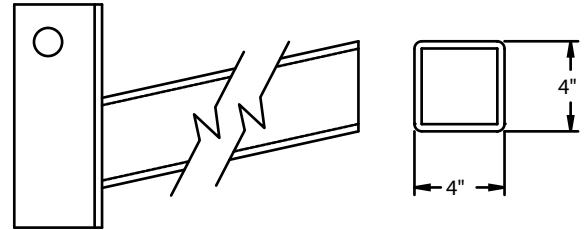
Add "L" to the end of the part Model No. for lip.

Pipe Sockets available upon request.

There is a 3/8" per foot pitch on straight arms to compensate for deflection.



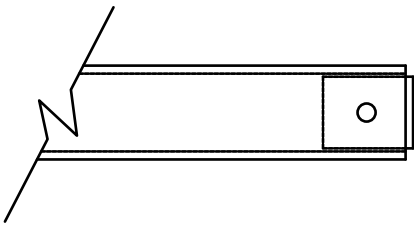
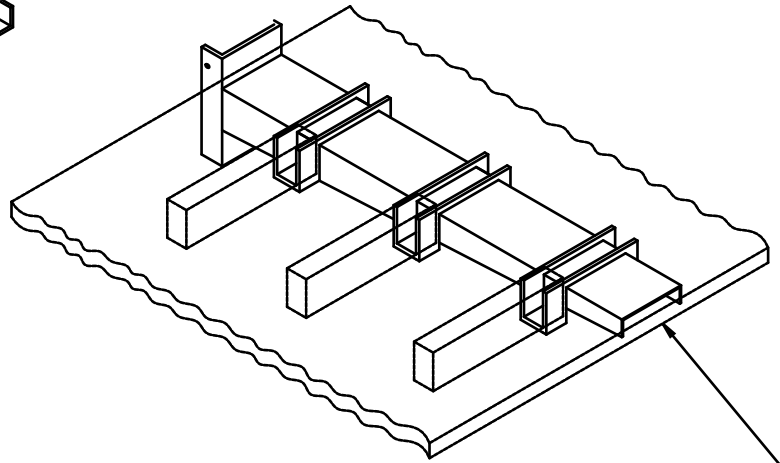
**OPTIONAL
ACCESSORIES**



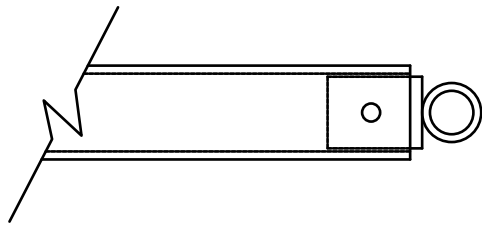
**EXTRA Heavy Duty
TUBULAR ARM AVAILABLE
11GA, 7GA, 1/4"
PER WEIGHT REQUIREMENT**

RETENTION PIPE (Ø3/4")

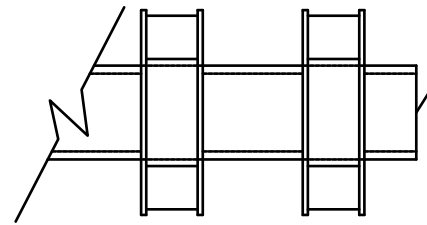
**OPTIONAL
PIPE SOCKET
ON BASE**



**OPTIONAL
BOLT-ON
LIP**



**OPTIONAL
BOLT-ON
PIPE SOCKET
(RETENTION PIPE Ø3/4")**



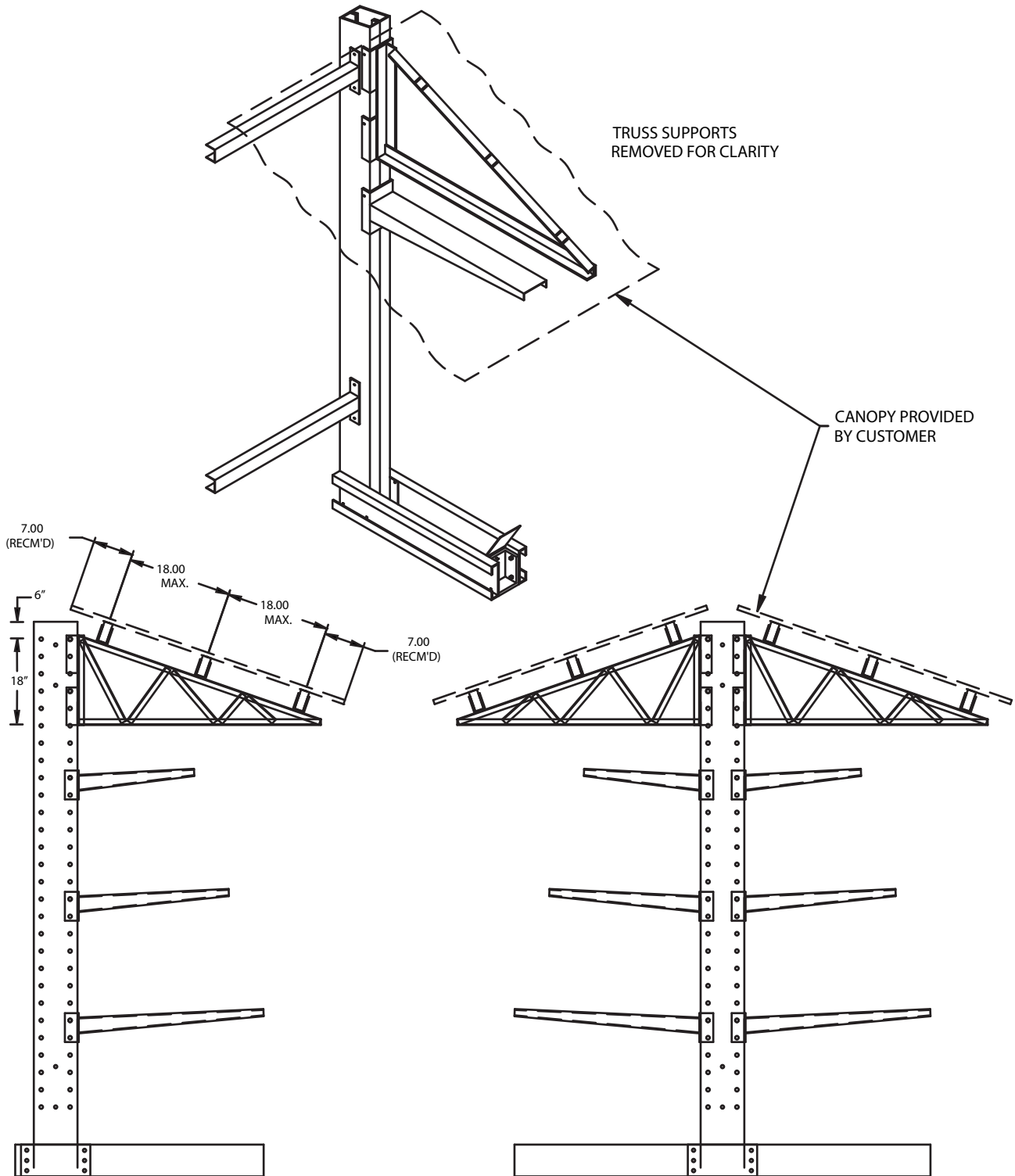
**OPTIONAL
DROP-IN DECK
SUPPORT SADDLES**



WEST POINT RACK INC

"We don't just promise...we deliver!"

OUTDOOR STORAGE WITH OVERHEAD CANOPY



CANOPY SINGLE SIDE

CANOPY DOUBLE SIDE

INSTALL A CANOPY TO CONVERT A WEST POINT CANTILEVER RACK TO AN OUTDOOR STORAGE FACILITY. THIS SYSTEM CAN BE UTILIZED AS A SINGLE OR DOUBLE SIDED "ROOF" (DEPENDING ON LENGTH OF BASE USED). NOTE: THE USE OF CANOPY CAN SIGNIFICANTLY REDUCE THE RACK'S CAPACITY DUE TO WIND AND SNOW LOADS. WEST POINT RACK WILL DESIGN THE CANOPY SUPPORTS TO CONFORM WITH LOCAL WIND AND SNOW LOAD CONDITIONS.