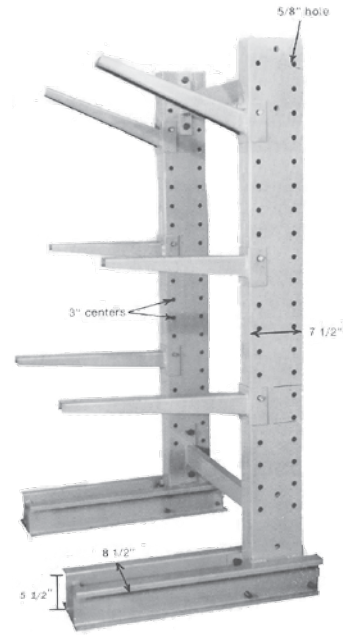




Height	Single Uprights					Double Uprights			
	Arms	Model #	Base	Ship Wt.	Capacity	Model #	Base	Ship Wt.	Capacity per Side
6'	12"-18"	LDSS628	28"	97	10,000 & 8,600#	LDDS644	44"	110	10,000 & 8,600#
6'	24"	LDSS634	34"	101	7300#	LDDS656	56"	119	7300#
6'	30"-36"	LDSS646	46"	110	6,300 & 5,300#	LDDS680	80"	137	6,300 & 5,300#
6'	42"-48"	LDSS658	58"	119	5,000 & 4,300#	LDDS6104	104"	155	5,000 & 4,300#
7'	12"-18"	LDSS728	28"	107	10,000 & 8,600#	LDDS744	44"	120	10,000 & 8,600#
7'	24"	LDSS734	34"	111	7300#	LDDS756	56"	129	7300#
7'	30"-36"	LDSS746	46"	120	6,300 & 5,300#	LDDS780	80"	147	6,300 & 5,300#
7'	42"-48"	LDSS758	58"	129	5,000 & 4,300#	LDDS7104	104"	165	5,000 & 4,300#
8'	12"-18"	LDSS828	28"	117	10,000 & 8,600#	LDDS844	44"	130	10,000 & 8,600#
8'	24"	LDSS834	34"	121	7300#	LDDS856	56"	139	7300#
8'	30"-36"	LDSS846	46"	130	6,300 & 5,300#	LDDS880	80"	157	6,300 & 5,300#
8'	42"-48"	LDSS858	58"	139	5,000 & 4,300#	LDDS8104	104"	175	5,000 & 4,300#
10'	12"-18"	LDSS1028	28"	140	10,000 & 8,600#	LDDS1044	44"	153	10,000 & 8,600#
10'	24"	LDSS1034	34"	144	7300#	LDDS1056	56"	162	7300#
10'	30"-36"	LDSS1046	46"	153	6,300 & 5,300#	LDDS1080	80"	180	6,300 & 5,300#
10'	42"-48"	LDSS1058	58"	163	5,000 & 4,300#	LDDS10104	104"	198	5,000 & 4,300#
12'	12"-18"	LDSS1228	28"	148	10,000 & 8,600#	LDDS1244	44"	163	10,000 & 8,600#
12'	24"	LDSS1234	34"	152	7300#	LDDS1256	56"	172	7300#
12'	30"-36"	LDSS1246	46"	161	6,300 & 5,300#	LDDS1280	80"	190	6,300 & 5,300#
12'	42"-48"	LDSS1258	58"	170	5,000 & 4,300#	LDDS12104	104"	209	5,000 & 4,300#

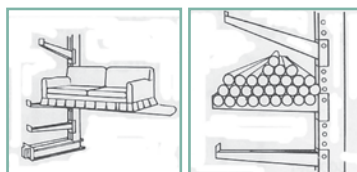
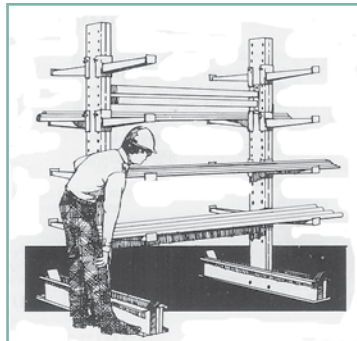


Light Duty Straight Arms				
Model #	Height	Length	Capacity	Ship Wt
LDSA12	2 3/4"	12"	1200#	5
LDSA18	2 3/4"	18"	1000#	7
LDSA24	2 3/4"	24"	800#	8
LDSA30	2 3/4"	30"	600#	10
LDSA36	2 3/4"	36"	500#	11
LDSA42	2 3/4"	42"	400#	12
LDSA48	2 3/4"	48"	300#	14
SP LDSA48	3"	48"	1000#	21

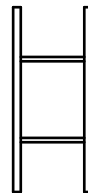
There is 3/8" per foot pitch on straight arms to compensate for deflection.

Light Duty Inclined Arms				
Model #	Height	Length	Capacity	Ship Wt
LDIA12	2 3/4"	12"	1200#	6
LDIA18	2 3/4"	18"	1000#	8
LDIA24	2 3/4"	24"	800#	10
LDIA36	2 3/4"	36"	500#	13
LDIA48	2 3/4"	48"	300#	16

Add "L" to end of part # for lip
Pipe Sockets available upon request - Pipe not included
There is a 20 degree pitch on inclined arms.



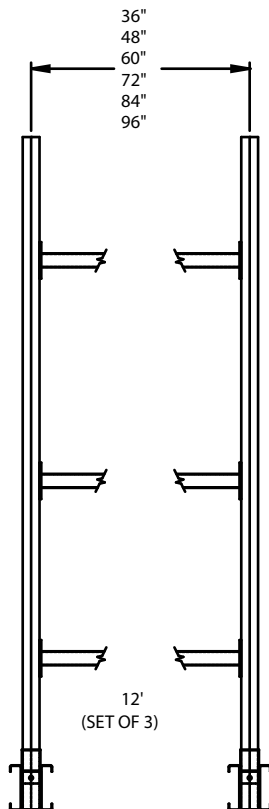
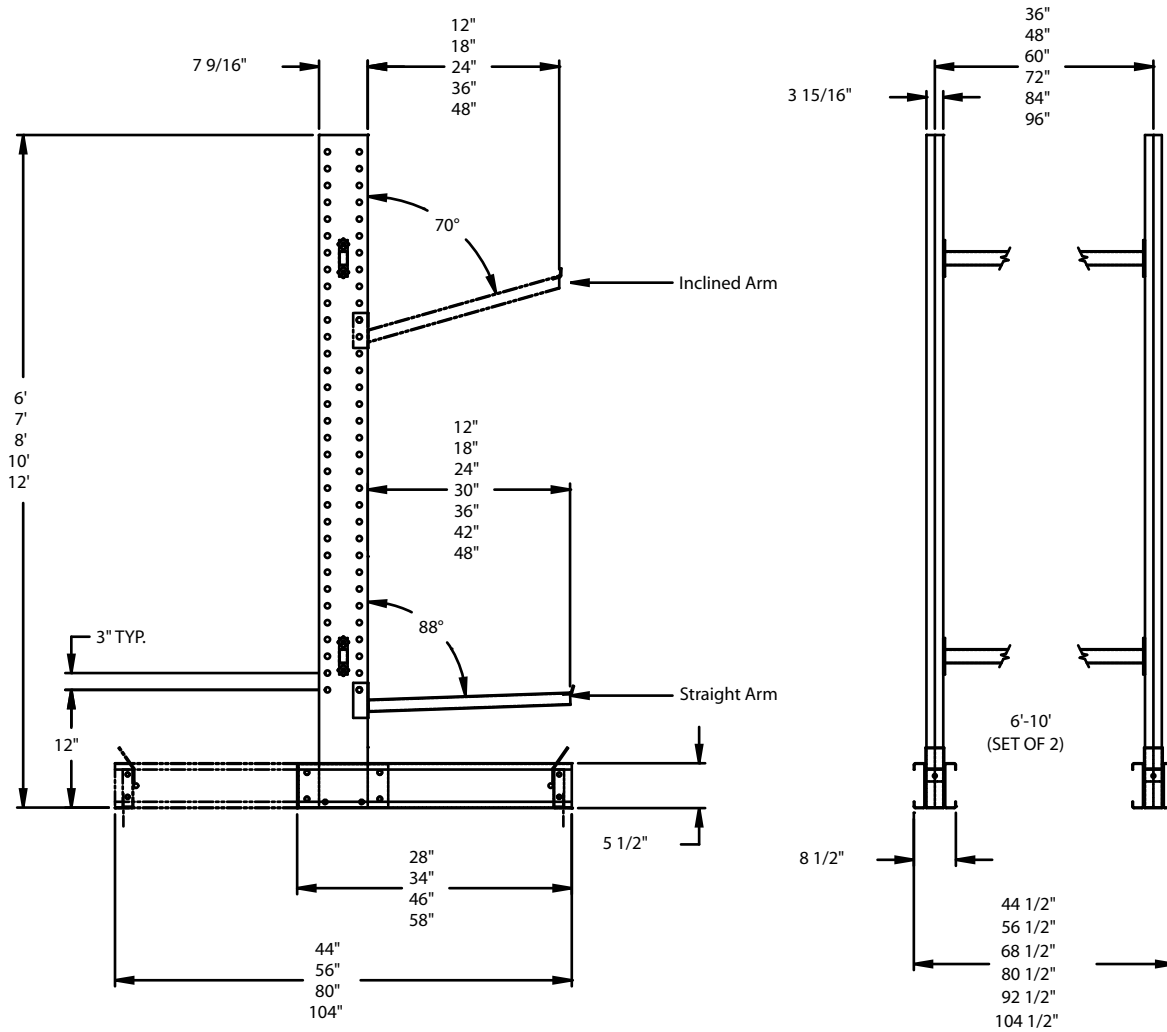
Light Duty Horizontal Braces

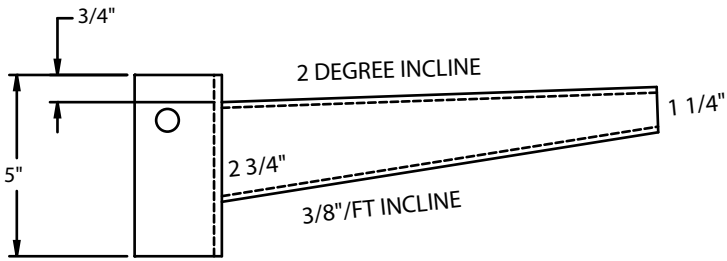


For 6' - 10' Uprights		
Model #	Length	Ship Wt
LDB236	36"	26
LDB248	48"	32
LDB260	60"	40
LDB272	72"	46
LDB284	84"	54
LDB296	96"	60

For 12' Uprights		
Model #	Length	Ship Wt
LDB336	36"	39
LDB348	48"	48
LDB360	60"	60
LDB372	72"	69
LDB384	84"	81
LDB396	96"	90

LIGHT CANTILEVER

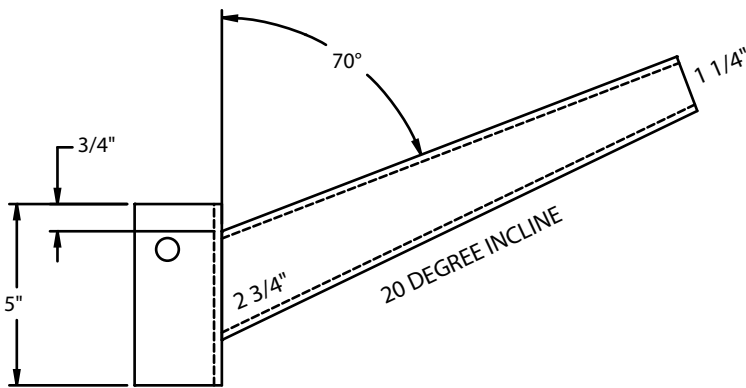




LIGHT DUTY STRAIGHT ARMS

MODEL No.	HEIGHT	LENGTH	CAPACITY	SHIP/WT.
LDSA12	2 3/4"	12"	1200#	5
LDSA18	2 3/4"	18"	1000#	7
LDSA24	2 3/4"	24"	800#	8
LDSA30	2 3/4"	30"	600#	10
LDSA36	2 3/4"	36"	500#	11
LDSA42	2 3/4"	42"	400#	12
LDSA48	2 3/4"	48"	300#	14

There is 3/8" per foot pitch on straight arms to compensate for deflection.



LIGHT DUTY INCLINED ARMS

MODEL No.	HEIGHT	LENGTH	CAPACITY	SHIP/WT.
LDISA12	2 3/4"	12"	1200#	6
LDISA18	2 3/4"	18"	1000#	8
LDISA24	2 3/4"	24"	800#	10
LDISA36	2 3/4"	36"	500#	13
LDISA48	2 3/4"	48"	300#	16

There is 3/8" per foot pitch on straight arms to compensate for deflection.

Add "L" to end of part Model No. for lip.

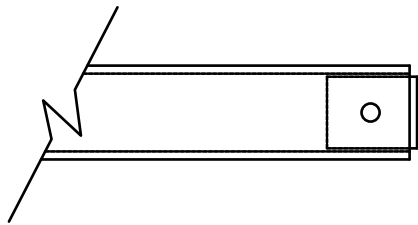
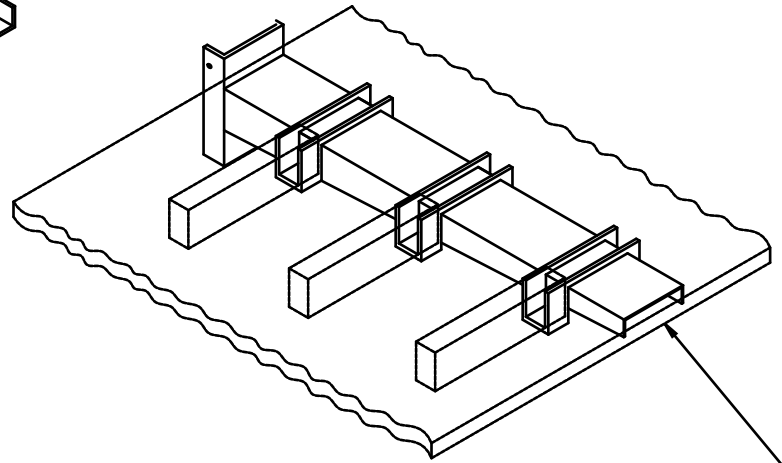
Pipe Sockets available upon request.

There is a 20 degree pitch in Inclined arms.

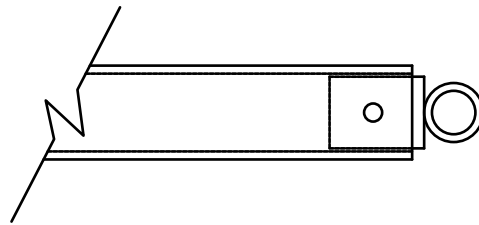
OPTIONAL
ACCESSORIES

RETENTION PIPE (Ø3/4")

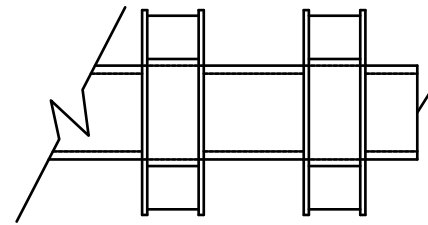
OPTIONAL
PIPE SOCKET
ON BASE



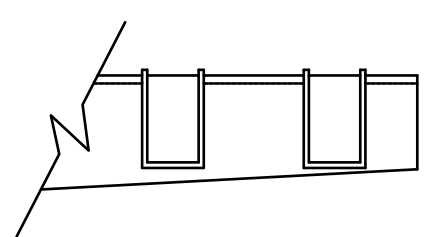
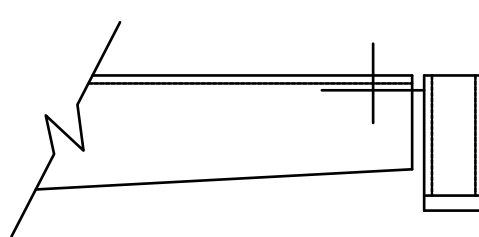
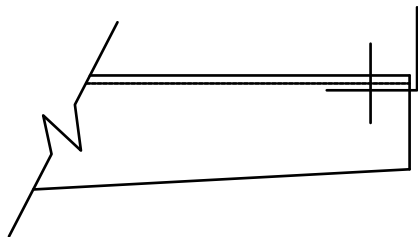
OPTIONAL
BOLT-ON
LIP



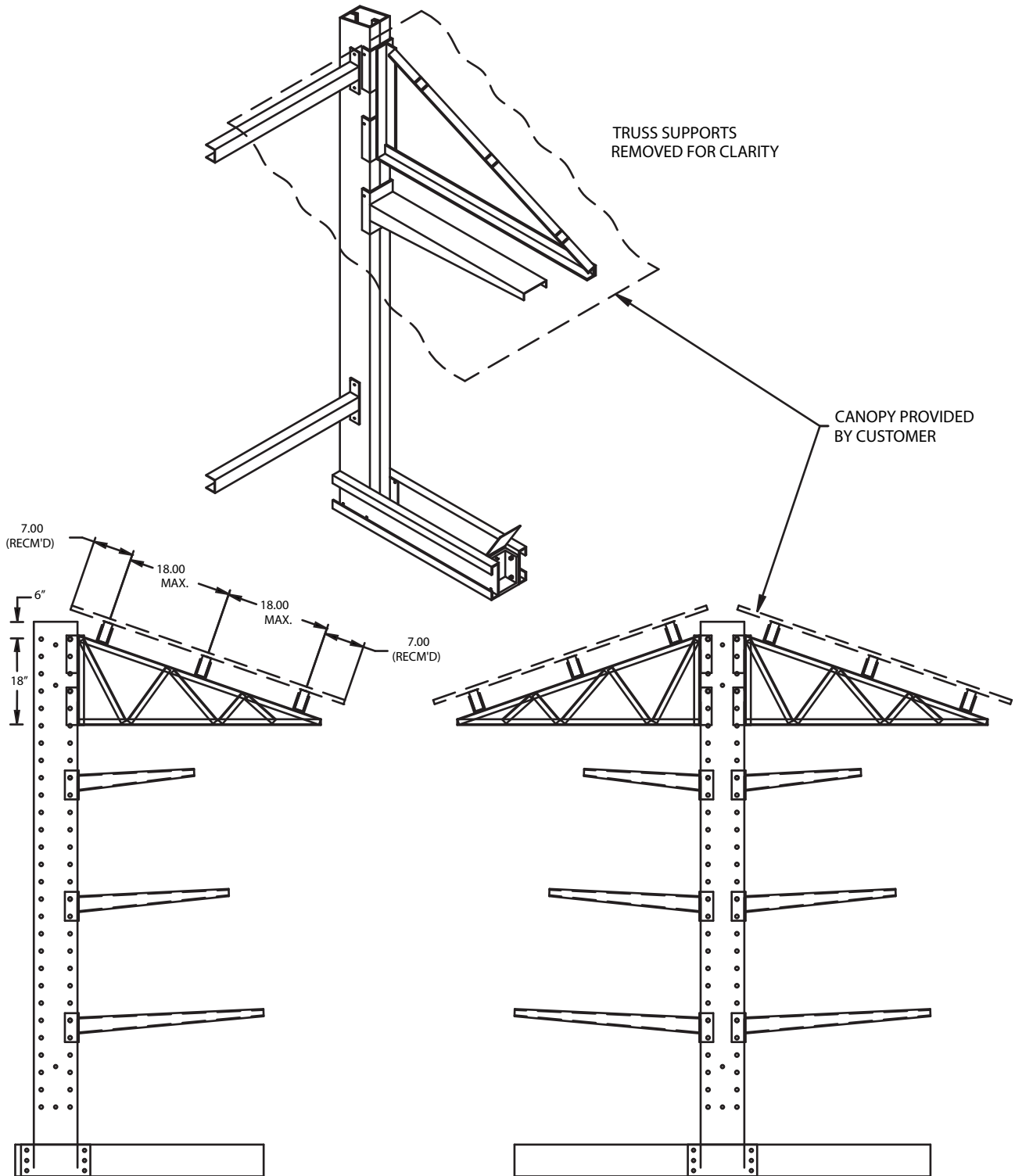
OPTIONAL
BOLT-ON
PIPE SOCKET
(RETENTION PIPE Ø3/4")



OPTIONAL
DROP-IN DECK
SUPPORT SADDLES



OUTDOOR STORAGE WITH OVERHEAD CANOPY



CANOPY SINGLE SIDE

CANOPY DOUBLE SIDE

INSTALL A CANOPY TO CONVERT A WEST POINT CANTILEVER RACK TO AN OUTDOOR STORAGE FACILITY. THIS SYSTEM CAN BE UTILIZED AS A SINGLE OR DOUBLE SIDED "ROOF" (DEPENDING ON LENGTH OF BASE USED). NOTE: THE USE OF CANOPY CAN SIGNIFICANTLY REDUCE THE RACK'S CAPACITY DUE TO WIND AND SNOW LOADS. WEST POINT RACK WILL DESIGN THE CANOPY SUPPORTS TO CONFORM WITH LOCAL WIND AND SNOW LOAD CONDITIONS.