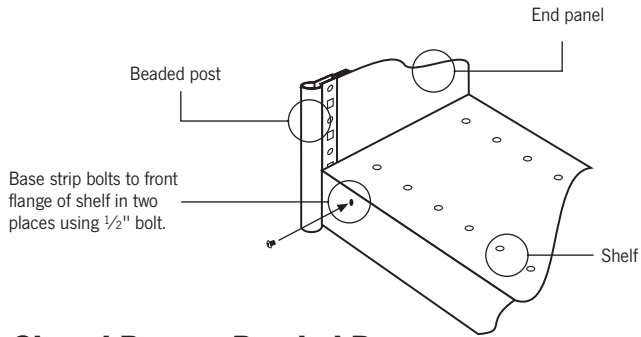
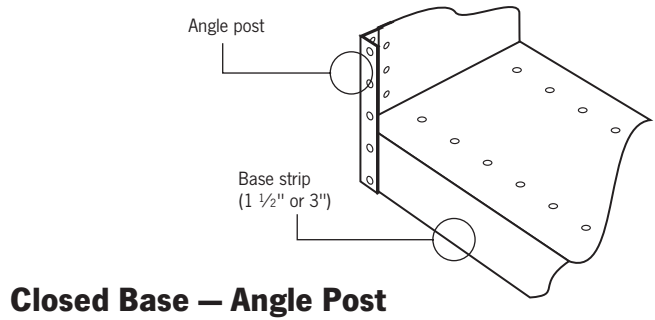


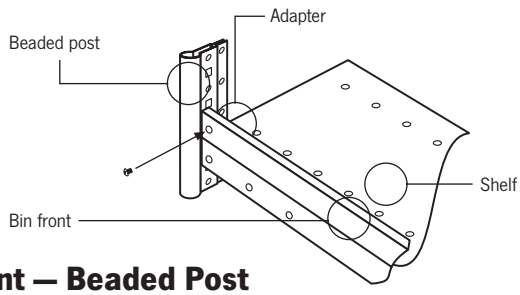
Component Assembly



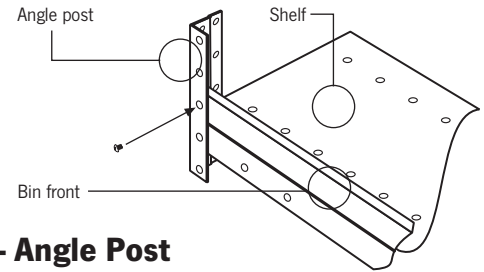
Closed Base – Beaded Post



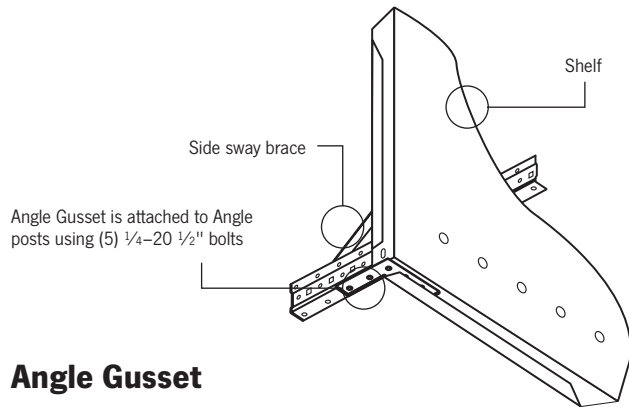
Closed Base – Angle Post



Bin Front – Beaded Post



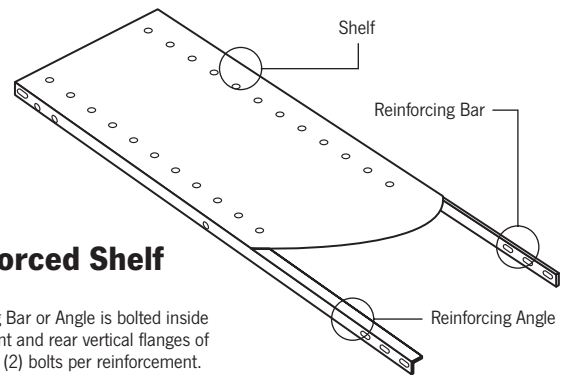
Bin Front – Angle Post



Angle Gusset

Angle Gussets may be used to replace back sway braces in light-duty applications. Use gussets on top, bottom, and one intermediate shelf (12 gussets needed per unit).

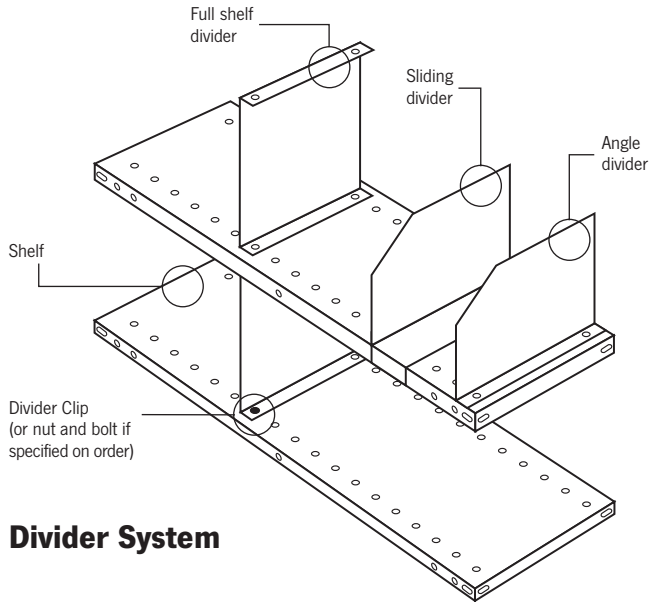
Gussets are for use with Angle posts only and are not recommended for units over 97" high.



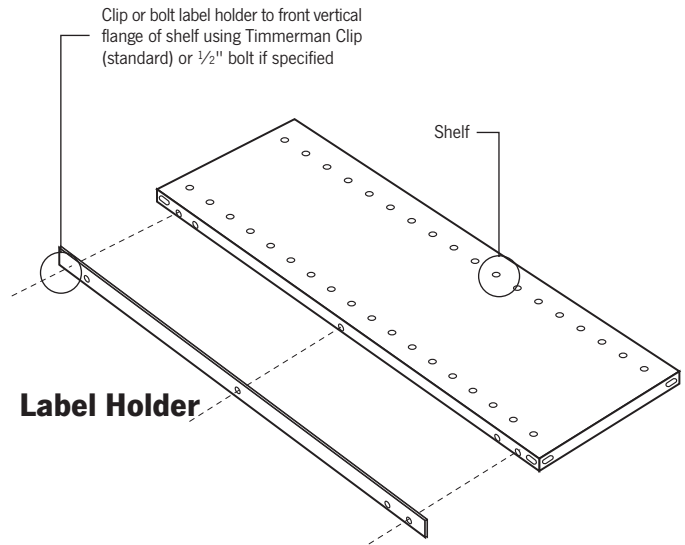
Reinforced Shelf

Reinforcing Bar or Angle is bolted inside front or front and rear vertical flanges of shelf using (2) bolts per reinforcement.

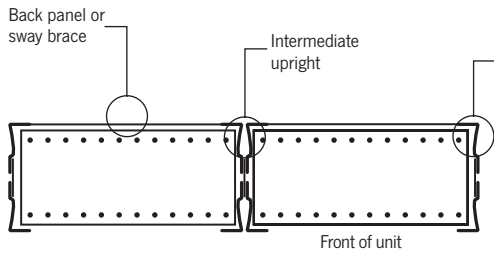
Component Assembly



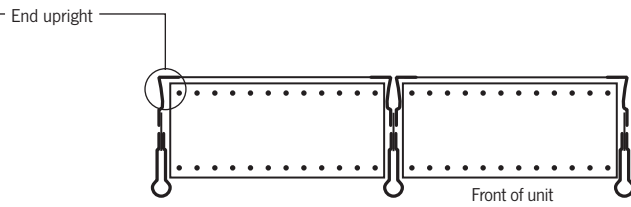
Divider System



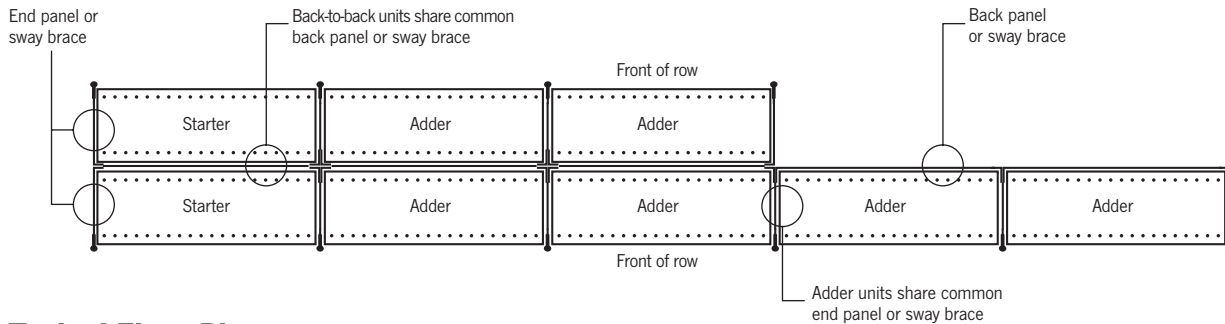
Label Holder



Angle Post Unit



Beaded or Delta Post Unit



Typical Floor Plan