



ELEVATE YOUR STANDARDS

STORING



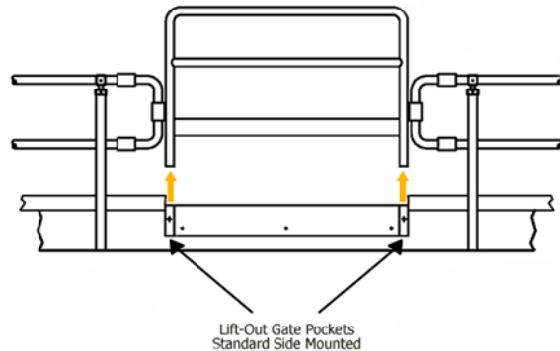
Permits Maximum Access at Mezzanine

- ▶ Durable, lightweight tubing design lessens physical strain caused by lifting heavier gates.
- ▶ Integral kick plate keeps objects from falling over mezzanine edge.
- ▶ Multiple gates can be placed side by side to create larger openings.
- ▶ Permits maximum open access at mezzanine.
- ▶ Meets applicable codes and safety standards.

LIFT-OUT GATE

Specifications

- Shipping Weight Standard Size: 200 lbs. (with hardware)
- Installation: Side Mounted standard, deck mounting optional
- Anchors Provided (when ordered with a Wildeck Mezzanine)
- Usable Load Opening: 6' W (up to 8' W optional)
- Available in 2-rail or 3-rail design
- Painted Safety Yellow for high visibility



STORING | LIFTING | GUARDING

Wildeck, Inc. • P.O. Box 89 • 405 Commerce Street • Waukesha, WI 53186
262-549-4000 • 800-325-6939 • FAX 262-549-3466 • info@wildeck.com

www.wildeck.com

WSLG 0908W