

405 Wall Mount Cabinet ASSEMBLY INSTRUCTIONS

General Instructions

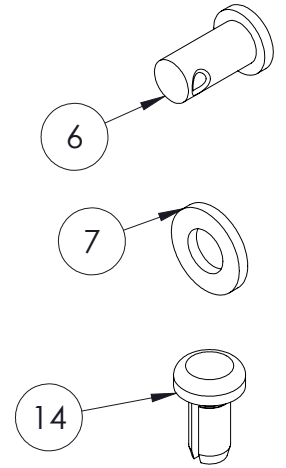
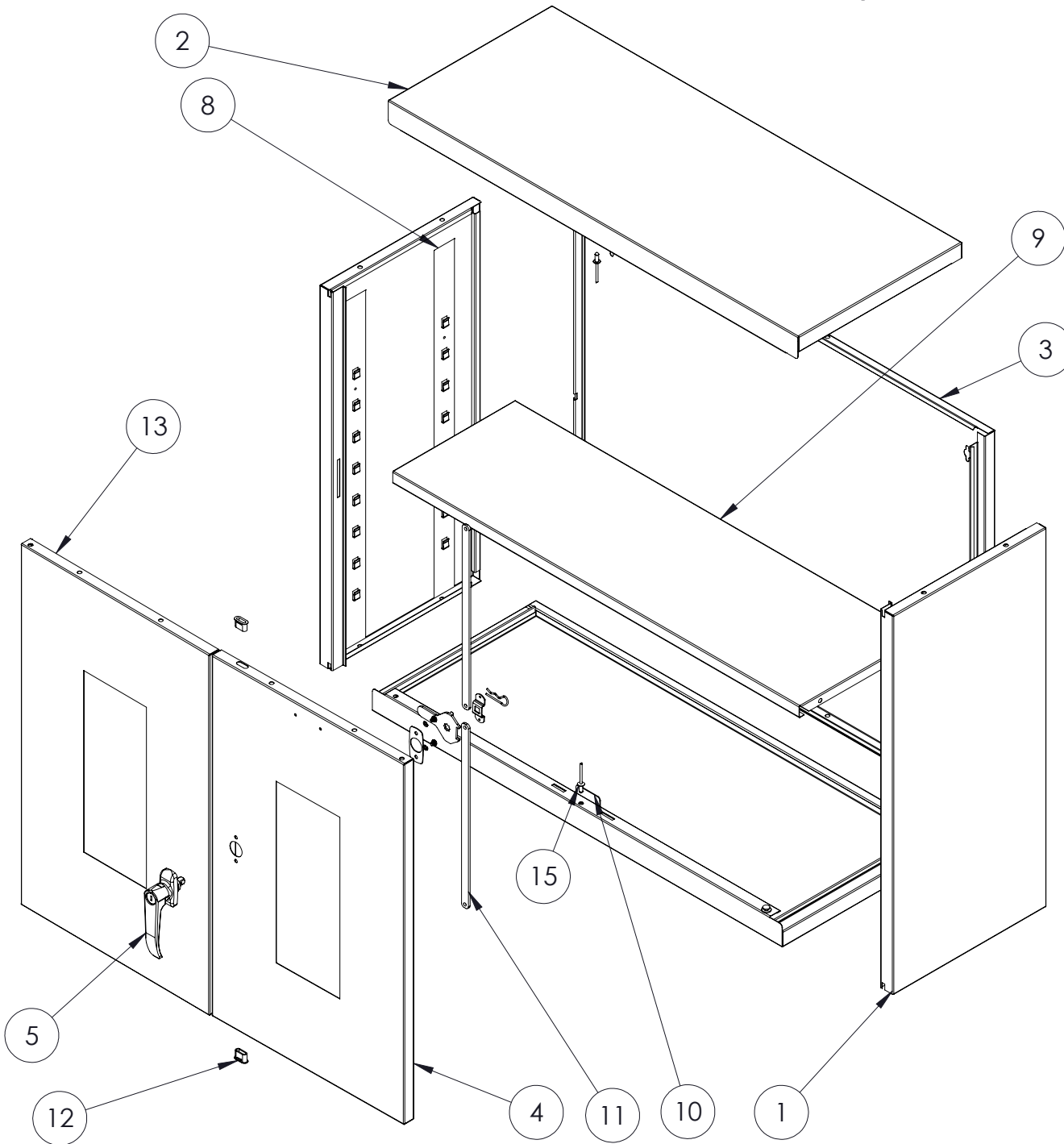
1. Check material received against the packing list. Check the number of packages received and then check the contents of each package.
2. Check the material received for damage. If damage has occurred, secure a “damage notation” from the carrier
3. Identify each part as it is unpacked and put like parts together as close as possible to the working area where they are to be assembled.
4. Be careful to use the correct hardware as specified in the assembly instructions.

CAUTION

In the interest of safety, all lockers must be securely anchored to the floor and/or wall. For safety, handle all components carefully and wear work gloves when assembling lockers. Install all units plumb and tighten all hardware securely. Retain instructions for future reference.

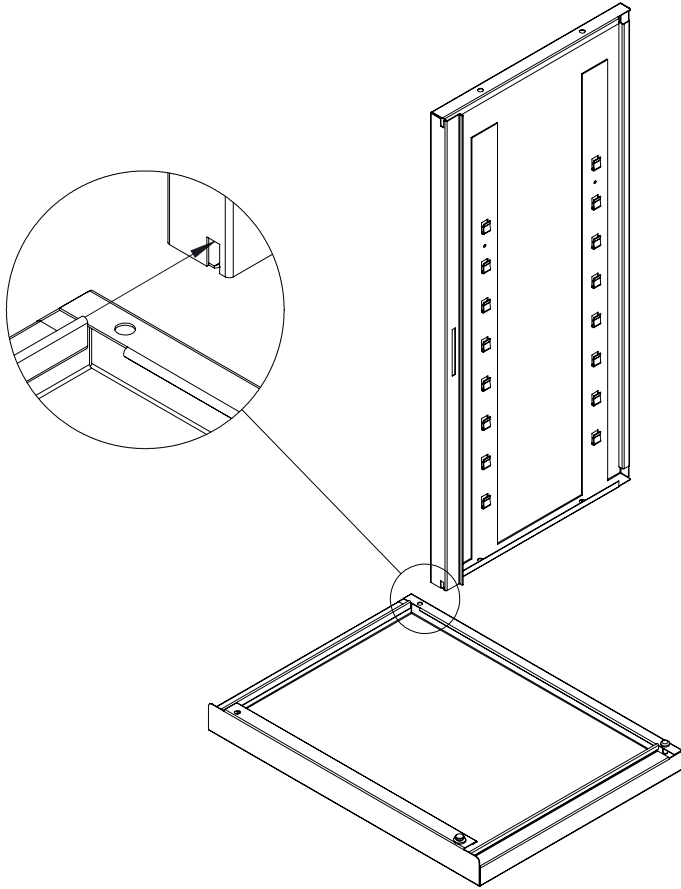


866-566-0500
info@Hallowell-List.com
www.Hallowell-List.com

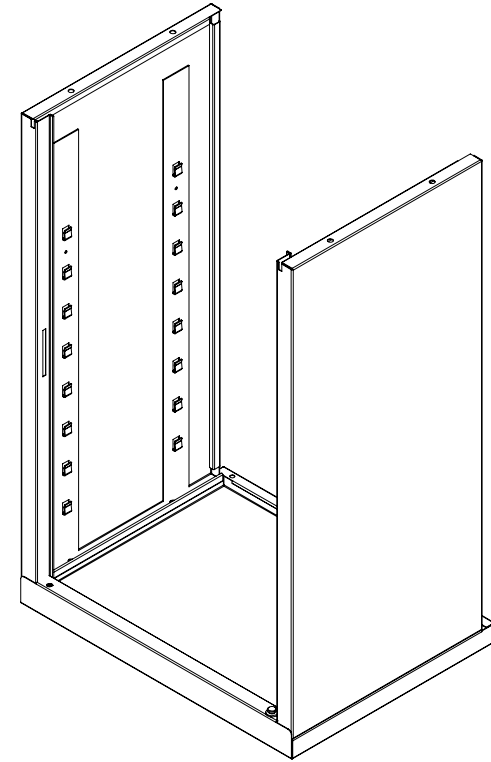


LEGEND:
 ww : WIDTH
 hh : HEIGHT

ITEM NO.	PART NUMBER	DESCRIPTION	QTY.
1	WLS12hh-22L WLS12hh-22R	SIDE PANEL	1 1
2	WLTBww12-22	TOP-BOTTOM	2
3	WLRwwhh-22	BACK	1
4	WLRDwwhhSV-22	DOOR	1
5	CH100	DOOR HANDLE	1
6	C100	DOOR PIN	4
7	W114	WASHER	2
8	CSS30WL	CABINET SHELF SUPPORT	4
9	WLASww12-22	SHELF	..
10	TDS-3	DOOR STOP	2
11	WLLBhhT	LOCK BAR	2
12	LRG1	LOCK ROD GUIDE FOR DOOR	2
13	WLLDwwhhSV-22	DOOR	1
14	CS002	CHANNEL STOP	4
15	RV102	3/16 DOME HEAD RIVET	2

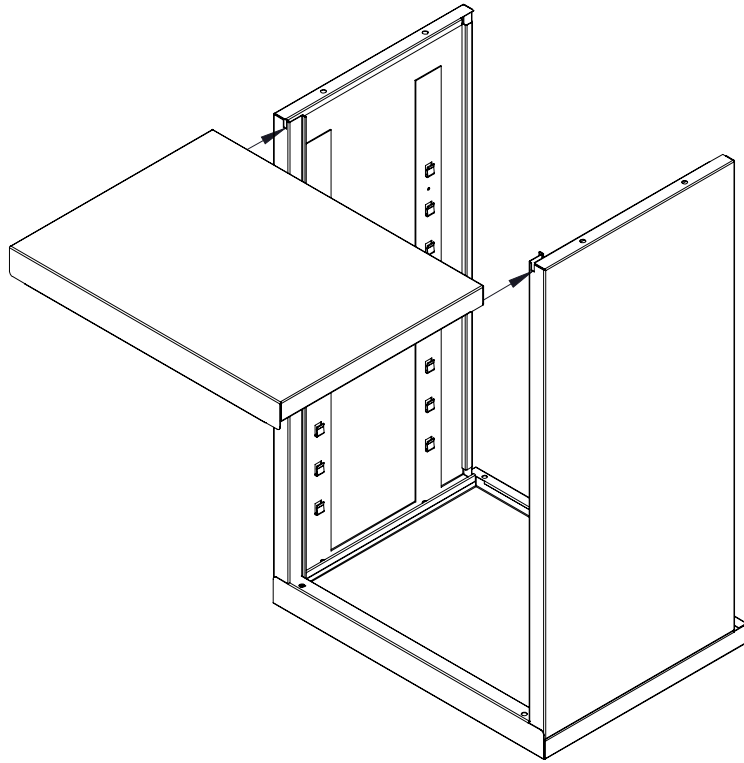
STEP 1

1. Insert side panel into the bottom/top hem and slide until it bumps with the front.

STEP 2

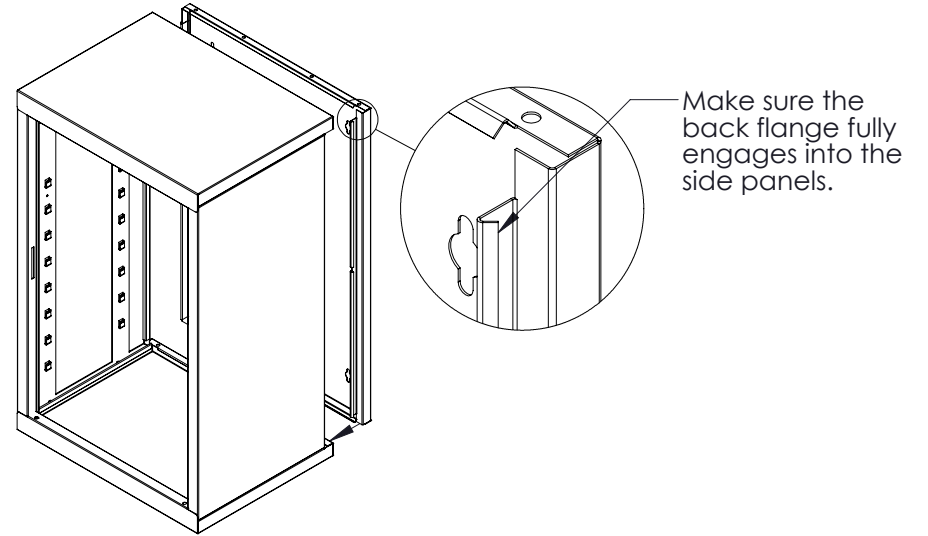
2. Repeat step 1 on opposite side.

STEP 3



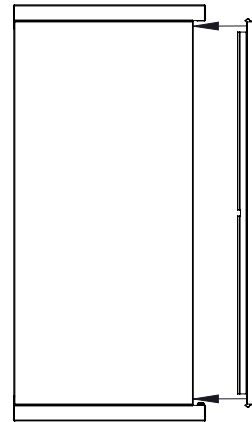
3. Insert top/bottom part sliding it into the side panels

STEP 4

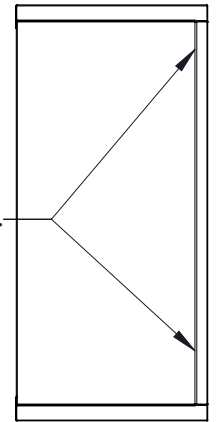


Make sure the back flange fully engages into the side panels.

4. Insert back panel into unit. Back is snapped in place with pressure.



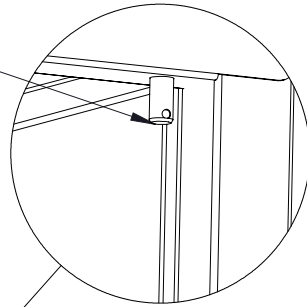
Once the Back Panel is set press the edge of the Side Panels to ensure full engagement of Back Panel.



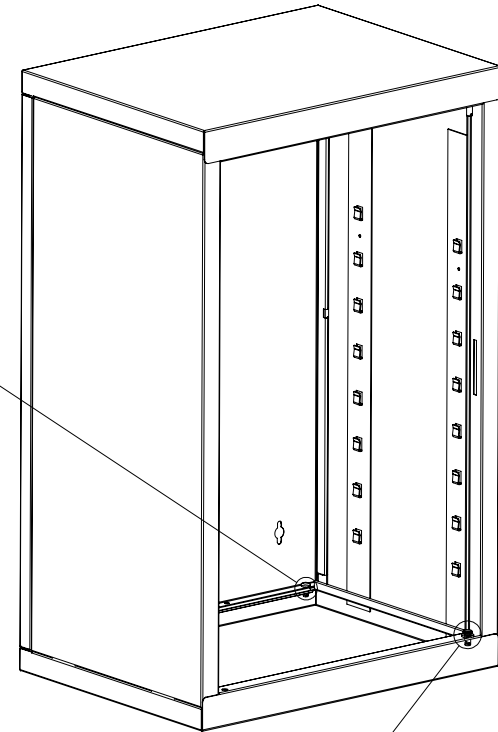
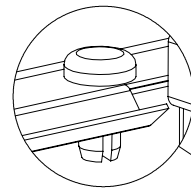
Step 5

5. Insert pin through the top flange of the unit. Insert door through top pin.

Pin



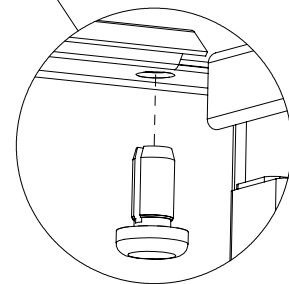
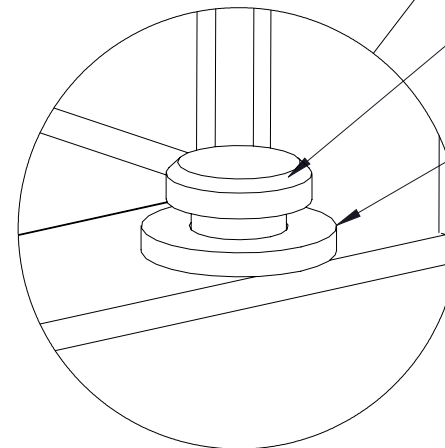
Channel Stop in place.



6. Place washer between the door and frame. Insert pin through the inside of the door.

Pin

Plastic Washer



Insert Channel Stop to all 4 corners in the back of the unit.

DOUBLE DOOR HANDLE ASSEMBLY

