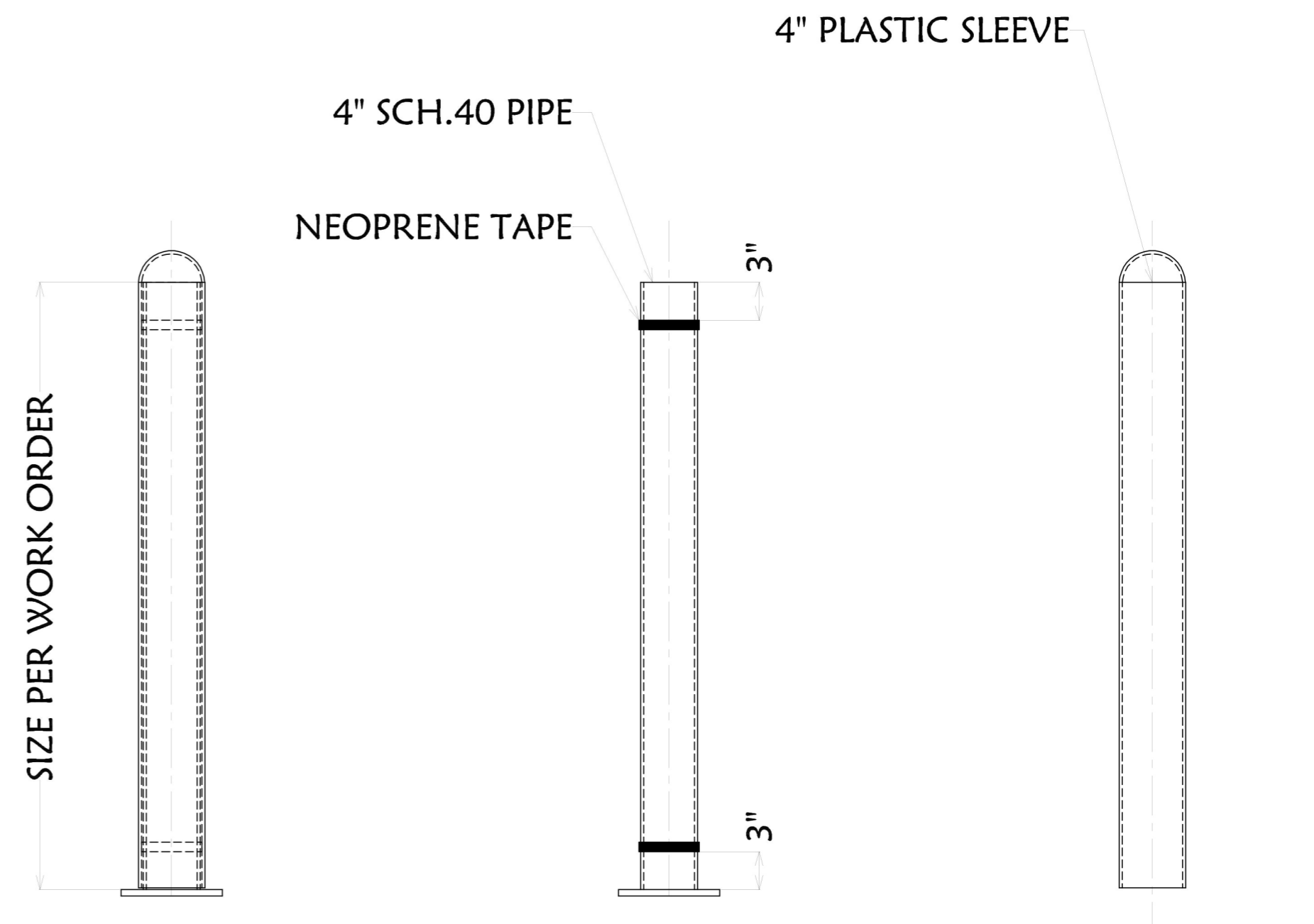


PIPE & PLASTIC

PIPE ONLY

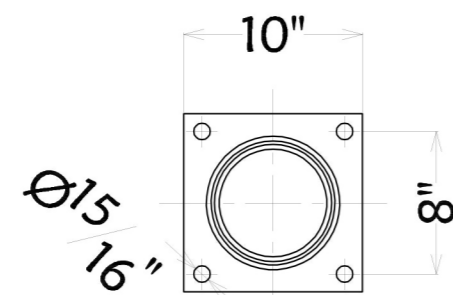
PLASTIC ONLY



PIPE & PLASTIC

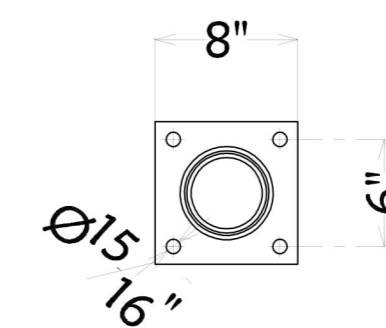
PIPE ONLY

PLASTIC ONLY



10" x 10" x 5/8" PLATE

6" Steel Bollard
with Cover



8" x 8" x 1/2" PLATE

4" Steel Bollard
with Cover

THIS DRAWING AND ALL THE INFORMATION THEREON IS THE PROPERTY OF THE IDEAL SHIELD, IS CONFIDENTIAL AND MUST NOT BE MADE PUBLIC, NOR COPIED, NOR USED, TO THE DISADVANTAGE OF SAID IDEAL SHIELD AND IS SUBJECT TO RETURN ON DEMAND.
COPYRIGHT 2003, IDEAL SHIELD

NO.	REVISIONS	DATE	APPROVED

MANUFACTURER OF IDEAL SHIELD PROTECTIVE GUARD RAIL SYSTEMS

2525 Clark St.
Detroit, MI 48209

PROJECT

CUSTOMER

DESCRIPTION
Ideal Shield
4" & 6"
Steel bollards
with Covers

DRAWN BY: ECW
PROJECT NO: -
FINISH: -
MATERIAL: -

APPROVED BY: -
DATE: -
SCALE: -
DRAWING NO: -
SHEET OF: -