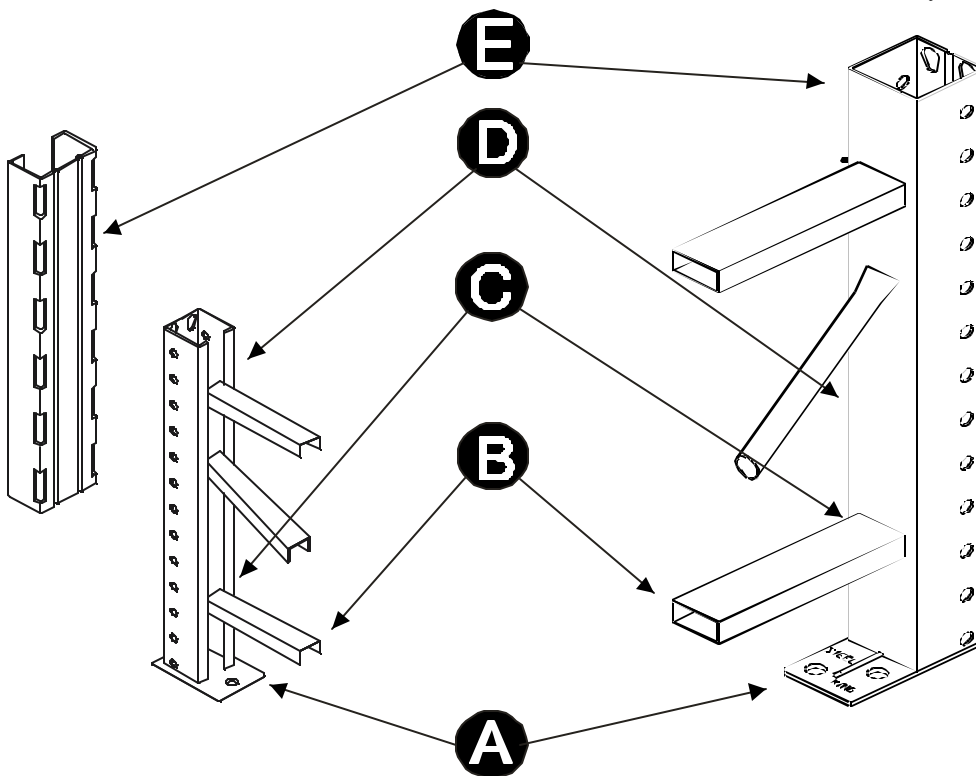


Before You Buy An Obsolete Open-Back Rack, Check Out The SK2000 Difference

Open-Back Racks	SK2000	SK2000 Advantage
A) Light-weight footpads with single anchor hole	Heavy 10-gauge footpad Footpad Ridge Flush Footpad Multiple 'offset' anchor holes	Disperses floor loads Easy 'shim' nesting Easy 'floor team' seating Stronger anchor attachment
B) Three-sided, formed sheet metal braces (1 x 1.5")	Heavy horizontal braces constructed of closed 1 x 2" steel tubing.	Increased frame strength Increases impact resistance Less maintenance cost
C) Two 1" weld on brace to column=Total of 2" of weld. Or spot weld (potential failure point)	Two 2" weld on brace to column= Total of 4" of weld	Increased frame strength Increased impact resistance Less maintenance cost
D) Open-backed, roll-formed column	Closed tubular steel columns with formed column ridge	Increased side impact resistance by 68%. Increased frontal impact resistance by 250% Increased torsional strength 44 times
E) Column holes on corners	Holes on face of column	Minimum loss of column strength
F) Only 2 choices of colors	The widest selection of colors in the industry!! (12 standard colors)	Cobr-Code a plant, department, different carrying capacities, load locations and more!!
G) Liquid air dry paint	Powder Coat Finish	Harder, smoother, more scratch resistant, environmentally friendly, no runs or drips



Others

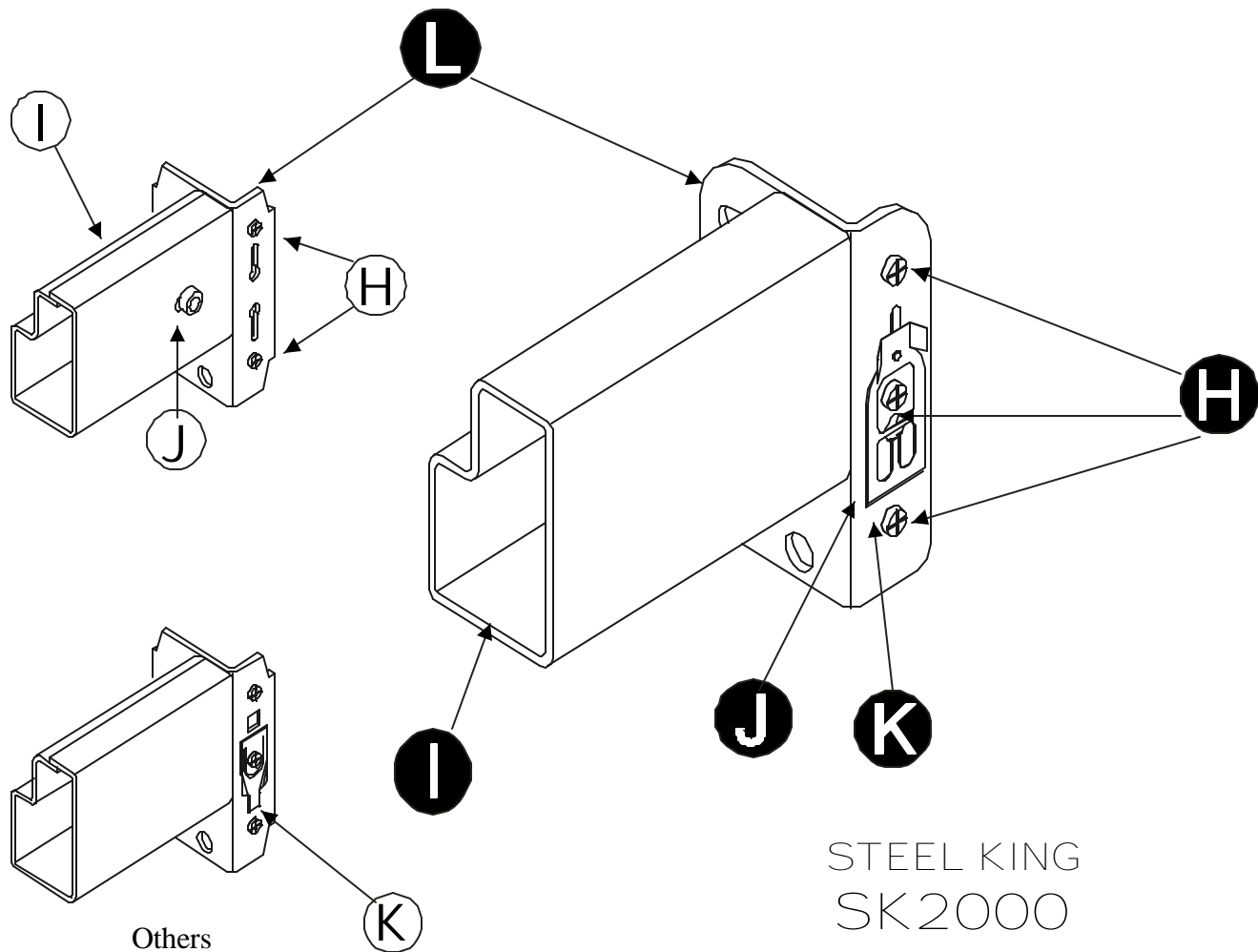
STEEL KING
SK2000 (OVER)

Open-Back Racks

SK2000

SK2000 Advantage

- | | | |
|--|--|--|
| H) Beam connectors only have 2 rivets per end connector | Beam connectors have standard 3 rivets per end connector | Increase total load capacity and resistance to beam "tear-out" by 26%. |
| I) Step beams are formed sheet metal with staggered spot welds | Step beams are continuously welded structural tubing | No ledges or cracks to catch pallets, trap moisture or debris. |
| J) Manually engaged safety lock | Automatically engaged safety locks | Reduces improper beam installation. |
| K) Attached safety locks | Removable safety locks | Can be replaced if damaged
Allows beam adjustment by one person |
| L) Light gauge beam connector | 9 gauge beam connector | Greater moment capacity |



Why settle for the high repair and replacement costs of obsolete open-back racks? Insist on the best.....SK2000!!

SteelKingIndustriesInc.
Corporate Headquarters
2700ChamberStreet
StevensPoint,WI 54481
TollFree:800-826-0203
Fax:715-341-8792
form#BPR0896