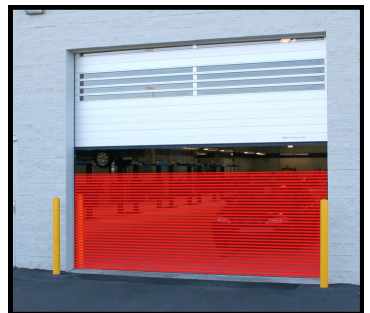
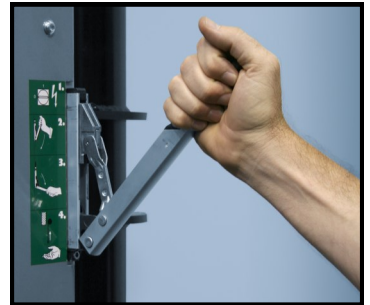


PN: 6410T0028
Rev. 11/5/13
Version -

ALBANY
ASSA ABLOY

UltraSecure 3000 Owners Manual



Doors are UltraRugged, UltraReliable, UltraAffordable.

TABLE OF CONTENTS

Introduction	3
Product Description	4
Drawings	7
Inspection Plan	9
Safety Instructions	12
Troubleshooting	14
Maintenance	15
Parts Diagram	37

Assa abloy Entrance Systems CONTACT INFORMATION

945-A Old Norcross Road, Lawrenceville, GA 30046

Phone: 800-252-2691

Fax: 770-338-5024

Technical Support & Aftermarket Parts:

Phone: 877-925-2468

Fax: 770-338-5034

www.albanydoors.com / support@albanydoors.com

INTRODUCTION

The contents of this manual are designed to help you operate and maintain Albany UltraSecure high speed door.

DO NOT operate or perform maintenance on the high speed door unless you have read through the instructions in this manual.



The safety alert symbol is used to identify safety information about hazards that can result in personal injury. A signal word (DANGER, WARNING, or CAUTION) is used with the safety alert symbol to indicate the likelihood and the potential severity of injury. In addition, a hazard symbol may be used to represent the type of hazard.


DANGER

DANGER indicates a hazard that, if not avoided, will result in death or serious injury.


WARNING

WARNING indicates a hazard that, if not avoided, could result in death or serious injury.


CAUTION

CAUTION indicates a hazard that, if not avoided, might result in minor or moderate injury.

CAUTION

CAUTION, when used without the alert symbol, indicates a situation that could result in damage to the door.

NOTICE

NOTICE is used to inform you of a method, reference, or procedure that could assist with specific operations or procedures.

Other symbols that may be used in this manual are:



Lock Out / Tag Out



Crushing



Fire



Shock



Read Manual

Product Description

Principle

The UltraSecure 3000 is a vertically opening high-speed rolling metal door primarily for external use. The door panel is made of aluminum slats connected to a special belt. The slats wind on up to three variable sized disc modules. They do not stack or wind onto each other, which protects the slats from excessive wear and produces smooth, contact-free frictionless operation that allows for the high opening speed.

Absorbing profiles attached to the perimeter of the discs enables quiet operation and dampen vibration of the slats during winding.

The flat belt functions as a pulling device. Hinges and rollers are not necessary in this door system, allowing for longer maintenance intervals and increased door life. Rubber connections between each slat prevent moisture from entering and from settling between the slats.

The pulling power is transferred equally to the disc modules by a gear motor via a drive shaft. This is also supported by tensioned springs located within the side columns. The door closes with assistance from the weight of the panel.

The panel moves vertically within special guide rails located in the side frames.

The door may be opened manually in the event of a power outage by releasing the brake via the side column mounted egress lever.

The UltraSecure 3000 is equipped with a wireless electric reversing edge and inline safety light curtain photo eyes..

Slats

The slats of the Rapid Roll 3000 are double walled extruded anodized aluminum with rubber seals in between. Each slat is individually connected and can be easily removed and replaced.

Window slats are available as an option.

Side Frame

The side frames and cross sections of the Rapid Roll 3000 are galvanized steel.

The various elements of the side frames come pre-assembled from the manufacturer.

During installation, the side frames must first be set up and fastened to the wall / floor in the upper and lower area. The upper width gauge can help define the exact distance of the side frames.

After the side frames have been secured to the wall, the pre-assembled top roll with the rolled-up door panel must be placed onto the top of the side frames and secured.

Control Unit

The UltraSecure 3000 is operated by a frequency converter control unit, which enables smooth acceleration and deceleration of the door. The maximum opening speed is 80 in/sec depending on door size. The door's closing speed is approximately 24 in/sec.

Manual Operation

During maintenance work, or in the event of a power outage, the door may be opened manually by releasing the brake via the side column mounted egress lever. The door opens partly by itself after the brake is released, and may be opened further by manually pushing the door panel upwards.

Electric Safety Devices

The door is equipped with various safety devices, which are partly based on radio – photocell systems.

Electric safety features

The UltraSecure door utilizes a minimum of two safety features. This is comprised of safety photocells and electric reversing edge.

Self-monitoring Drive Unit

The temperature of the drive unit is regulated by a thermal switch, which disrupts the power supply of the drive unit upon overheating.

Testing the Safety Systems

Before each downward movement an internal “self-testing” of the photocells and the control unit is made automatically (Safety classification 2 according DIN EN 954-1 "Safety relevant parts of control units"). If a fault is detected, disruption of the power supply to the control unit occurs immediately. The safety switches work as a closing unit and are in continuous operation.

Additional Safety Systems

Depending on the kind of application it may be advisable to utilize additional sensors for safety reasons. This will be especially valid for doors with frequent pedestrian traffic or doors less than 10 feet high due to limited optical awareness of a closing door by the user.

Albany Door Systems offers various additional safety systems for fast running doors such as; motion sensing detectors, floor loops, etc. We suggest individual consultation with an Albany Door Systems' representative at the application site .

Mechanical Safety Devices

Springs are situated in separate chambers serving as a weight balancing system. The springs are enclosed and protected by metal covers.

The door has a multi independent weight balancing system. Disengagement of the drive unit brake will not lead to a sudden drop of the door panel.

NOTICE

For doors with a height less than 8 feet a top roll cover is absolutely necessary according to valid regulations.

Drive Unit

An electric drive unit operates the UltraSecure 3000. The drive unit is installed in the upper area of the door, not within reach from the floor, and has a vibration dampening attachment. The drive unit may be positioned on either the left or right hand side, according to customer requirements.

The same drive is used for all varieties of door height. The frequency converter control unit will be operable with various parameters depending on the size of the door.

CAUTION

The door may only be operated with an original drive and control unit made by the manufacturer of the door.

Technical Data

Door principle:	rolling metal
Running direction:	vertical
Application:	fast running exterior (primarily) or interior
Available sizes:	W min.: 2.58 ft (1250mm) W max.: 16.4 ft (5000mm) H min.: 6.50 ft (2500mm) H max.: 16.4 ft (5000mm) Height steps: 1/2 inch (125mm)
Max. opening speed:	80"per sec (2.5 m/s)
Closing speed:	approx. 24"per sec (0.7 m/s)
Application:	inner side of exterior wall
Drive:	electric
Connecting voltage:	3/(N)/PE 230/400 V ±10%, 50/60 Hz
Motor performance:	1.1 kW
Control unit:	UltraSmart Control (frequency converter control unit)
Control voltage:	24 V DC
Motor protection:	IP55
Side frame:	galvanized steel
Door curtain:	double walled anodized aluminum
Pulling device:	flat belt with integrated steel ropes
Sound pressure level:	70 dB A
Wind resistance:	110 m/h, classification 3 (EN 12424)
Door measurements and installation space:	see enclosed drawing

Fixing points: see enclosed fixing point plan

NOTICE

Technical changes to the door and the manual can occur. If you have questions please consult with the factory.

Inspection Plan	
Observe the safety notices within the operation manual. Power to the door must be shut off prior to inspection of any door component.	
Installation fixings	
spring housing and eventually the existing top roll and motor cover must be dismantled.	Annually or 100,000 cycles.
Drive unit	
Check retainer of the torque support and buffer.	Annually or 100,000 cycles.
Check function of brake release lever.	Annually or 100,000 cycles.
Check self-opening/manual opening/egress	Annually or 100,000 cycles.
Drive shaft	
Check flange bearing retainers of drive shaft.	Annually or 100,000 cycles.
Check retainer of the spiral disk on the shaft.	Annually or 100,000 cycles.
Check condition of sound isolation or black dampener profiles on the spiral disks.	Annually or 100,000 cycles.
Exchange of flat lifting belts.	500,000 cycles.
Door leaf	
Check surface of lamellas/slats for grinding and signs of damages.	Annually or 100,000 cycles.
Check exact position of lamella sealing.	Annually or 100,000 cycles.
Check fixing of lamellas on pulling device.	Annually or 100,000 cycles.
Check solid position of lamella adapter/endplates.	Annually or 100,000 cycles.
Guiding rails	
Check for wear and tear on guidingrails, especially in the area of funnel (<4MM)	Annually or 100,000 cycles.
Side columns and lintel profile	
Check fixing and condition of the profiles as well as fixing at the wall	Annually or 100,000 cycles.
Check condition and fixing of trailing chain for cable if equipped	Annually or 100,000 cycles.
Check condition and installation of springs and spring fixing.	Annually or 100,000 cycles.
Check leaf tensioning system if equipped.	Annually or 100,000 cycles.
Exchange rubber cable/bungee cord if equipped	500,000 cycles.
Clean optic of photocells.	As necessary.
Counter balance system	
Exchange springs H<3m.	500,000 cycles.
Exchange springs H>=3m.	250,000 cycles.
Check condition and fixing of the spring belts.	Annually or 100,000 cycles.
Lubrication of roller chain (only RR3000R).	Annually or 100,000 cycles.
Control Box and additional components (like safeties & actuators)	
Check completeness of wiring diagram.	Annually
Check main switch/CEE-plug and control box lock.	Annually
Check fixing of control panel	Annually
Check function of stationary and/or pre-runing photocells	Every 6 months or 25,000 cycles
Verify stopping position of limits	Annually or 50,000 cycles.
Check function of electric reversing edge if equipped	Every 6 months or 25,000 cycles

Safety Instructions

Area of Application and Classified Use

Unless explicitly described otherwise, Albany Door Systems' doors are developed and tested for use under normal operating conditions. For an application with special conditions (for example; one-sided permanent load with temperatures, excessive pressure or special environmental conditions, etc.) contact Albany Door Systems.

The door is defined primarily for use in industrial buildings.

As an exterior door with respective resistance against wind pressure and weather conditions it opens with a speed especially suited for high frequency vehicular traffic ensuring a smooth transport flow.

The door may also be applied as an interior door.

Duty of Care

The door has been designed and manufactured under consideration of a risk analysis according careful selection of valid norms and further technical specifications. The system meets status of technique and ensures the highest level of safety.

All necessary measures and precautions must be observed in order to achieve the high safety standard. It is the duty of the door operator to plan the respective measures and check the door's performance. Please read the user manual carefully and keep it in a safe place for future use.

The operator is liable to ensure that:

- Installation, initial operation, inspection, maintenance, repair work and dismantling are made only by manufacturer personnel or manufacturer trained and qualified personnel.
- Only sufficiently trained, qualified and authorized personnel should operate the door system.
- The door is to be used only in accordance with the classified purpose (see above).
- The door is to be operated only in a perfectly functioning state and that the safety features are regularly checked for orderly operation.
- The user manual is kept at the site of the door for future use and is in readable condition at all times.
- The operating personnel are continuously trained with regard to working safety and operating instructions and especially the herein-contained safety instructions.
- All safety and caution notices affixed to the door will not be removed and are kept in readable condition.

General Safety Advice

- Please read the user manual carefully and keep it easily accessible for future use.
- Always follow the safety instructions mentioned in the user manual.
- Do not use this door for purposes it is not intended for. This user manual must also be transferred upon the transfer of this door to third parties.
- The use of the emergency lever may lead to a partial self-opening or closing of the door.
- The door panel may be opened upon failure of the electrical drive by disconnecting the brake using the emergency disconnect lever.
- Do not put your hands on the side frames of the door during operation.
- Lingering of persons in the working area of the door should be avoided. Existing man doors should be used for pedestrian traffic.
- Should it be necessary for pedestrians to utilize the door opening, they should walk through at a normal pace.
- Keep the immediate area of the door free of debris or refuse, which could cause accidents.
- Do not climb on the door.
- The power to the door must be shut off at the main switch and must be secured against returning to the “on” position prior to working on the door.
- Upon damage to the door (mechanical or electrical), the power must immediately be turned off. This is especially valid when damage has occurred to the electrical cables or wiring.
- The door must only be operated within the parameters of the defined voltage or net frequency.
- Use only equipment or additional features which are authorized by the manufacturer of the door.
- Operating the door during excessive wind pressures may be dangerous.

Safety instructions must be observed without exception, not only the general safety instructions but also the special notices mentioned in other chapters of the manual

Additional Advise

Please call 800-252-2691 for further information about this product or about ASSA Abloy complete product line.

Troubleshooting

To avoid damage to the door or injury to personnel during repair of malfunctions or errors, the following instructions should be carefully observed:

- Only trained personnel should accomplish Work.
- Turn off the power at the main switch prior to performing any work.
- Secure the main switch against being turned on again by locking it or by having a second person present.
- Secure the door’s operating area.
- Read "Safety Instructions".

In the event the repair cannot be made or assistance is required, please contact the customer service department of the supplier or manufacturer of the door.

Mechanical Malfunctions

Malfunction	Possible Causes	Necessary Measures
Door opens independently	Brake at the drive defective	Replace the brake
	Brake incorrectly adjusted	Adjust the brake
	Counterbalance is oversized	Call customer service
Manual opening not possible	Counterbalance defective	Replace the counterbalance device
	Bowden cable hanging off or too loose	Check correct position and tension of the bowden cable
	Brake blocking	Call customer service
Drive not functioning	Power supply is off	Connect the door to the power
	Electrical connections defective	Check electrical connections
	Safety device is defective	Replace the safety device
Curtain unwraps	Door not correctly installed	Call customer service
	An object was rolled up	Close the door and check for enclosed object

Electrical Malfunctions

For repair of electrical malfunctions see the error code manual at the appendix of the user manual instructions.

Malfunction	Possible Causes	Necessary Measures
Door not functioning	Power supply is off	Check power supply and fuse
	Safety device damaged	Check control unit and replace the fuse
	Main switch off	Turn (main switch) switch on
	Stop-circuit interrupted	Check stop circuit. Unused stop inputs must be bridged in accordance with the circuit diagram.
Door does not close	Up impulse permanently activated	Test impulse actuator
	Photocell interrupted or disconnected	Test safety devices
Door closes only with next impulse	Toggle circuit adjusted	Check adjusted control function

Maintenance

Customer Service

In the event maintenance or repair is required, please contact the supplier or the manufacturer of the door.

ASSA Abloy Entrance Systems
 975-A Old Norcross Rd
 Lawrenceville, GA 30046
 Main Telephone: 800-252-2691
 Customer Service Telephone: 877-925-2468
 Service & Parts Fax: 770-338-5034

Inspection and Maintenance



Maintenance and inspection work must only be performed by manufacturer trained authorized personnel.

Before beginning the above-mentioned work the power must be disconnected by turning off the main power switch and locking it. The control unit must be checked to determine there is no power to it with the appropriate device. All ladders, scaffoldings, or similarly used equipment should correspond with valid safety regulations.

The area around the door must be blocked for traffic. Any spilled lubricating oil, tools and other material should be removed from the floor when work has been completed.

The necessary intervals, check-ups and instructions for such work are documented in the "Inspection Schedule" (see Appendix).

Cleaning

Cleaning and Maintenance of the Panel



Do not use any glass cleansing liquids (contents may be corrosive)

- Never use score cleansers, scrapers, razor blades, spatulas, etc.
- Clean with warm water, a small dose of mild plastic cleanser and a soft cloth.

Cleaning and Maintenance of the Side Frame

Dust may be removed with a soft cloth. Harder dirt may be removed with water and general liquid cleanser.

Grease or oil on the metal surfaces may be removed with solvent containing cleanser.



Do not use a high-pressure cleaning machine.

Clean Door Area

The floor around the side frames may become dirty with lubricants, etc. following maintenance work. This must be removed quickly.

Tensioning the Panel

The door is furnished with a panel tension system. The bottom profile is pulled down on both sides by means of a rope. The ropes guard a secure run during closing of the door especially during heavy wind force.

Instructions for Using Over-Travel Brake System.



About the Over-Travel Brake System

Your UltraSecure door is fitted with an over-travel brake system to stop your door in a controlled manner in the event a condition should arise leading to the door traveling past its upper limits. The system terminates the open command and immediately engages the gear motor brake. But, due to the high rotational inertia of the barrel, an additional mechanical brake is utilized, catching the bottom slat for a controlled deceleration. This addendum shows how to reset the system to get your door operational. Prior to resetting the brake, you must lower the door to the open position. Follow electrical instructions for lowering process.

Notice: Inspect the door for damage prior to putting it back in service. Repair door where necessary. Failure to perform inspections and repairs can lead to personal injury, property damage or death.

If an over-travel event occurs, hooks mounted on the bottom slat engage the brake yoke. The yoke is then dragged through the pair of brake clamps finally coming to rest at the end of the clamp (fig 2.).



Fig 2. Safety brake deployed.

Resetting the Brake

To reset the brake, first loosen the clamp screws (Fig 3) so that you can move the yoke up and down easily.

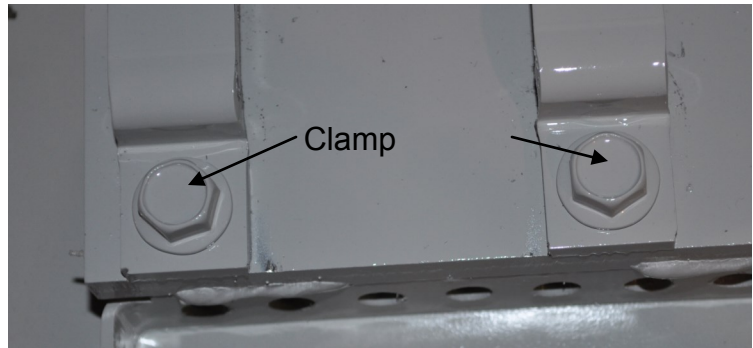
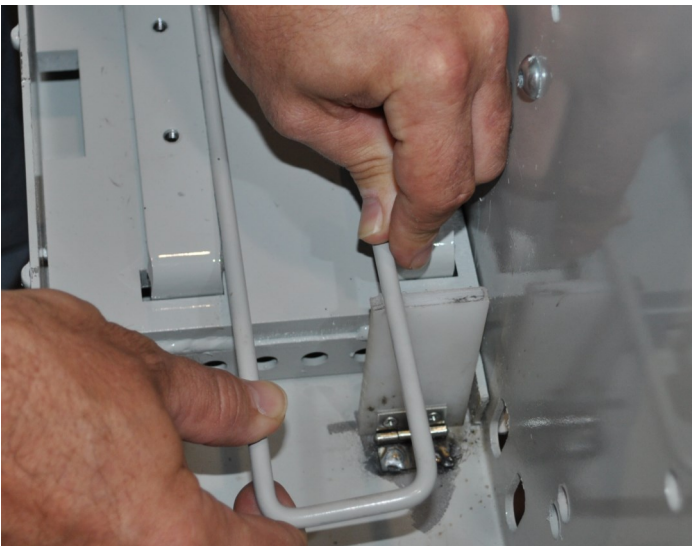


Fig 3.



Fig 4. Yoke at bottom position.

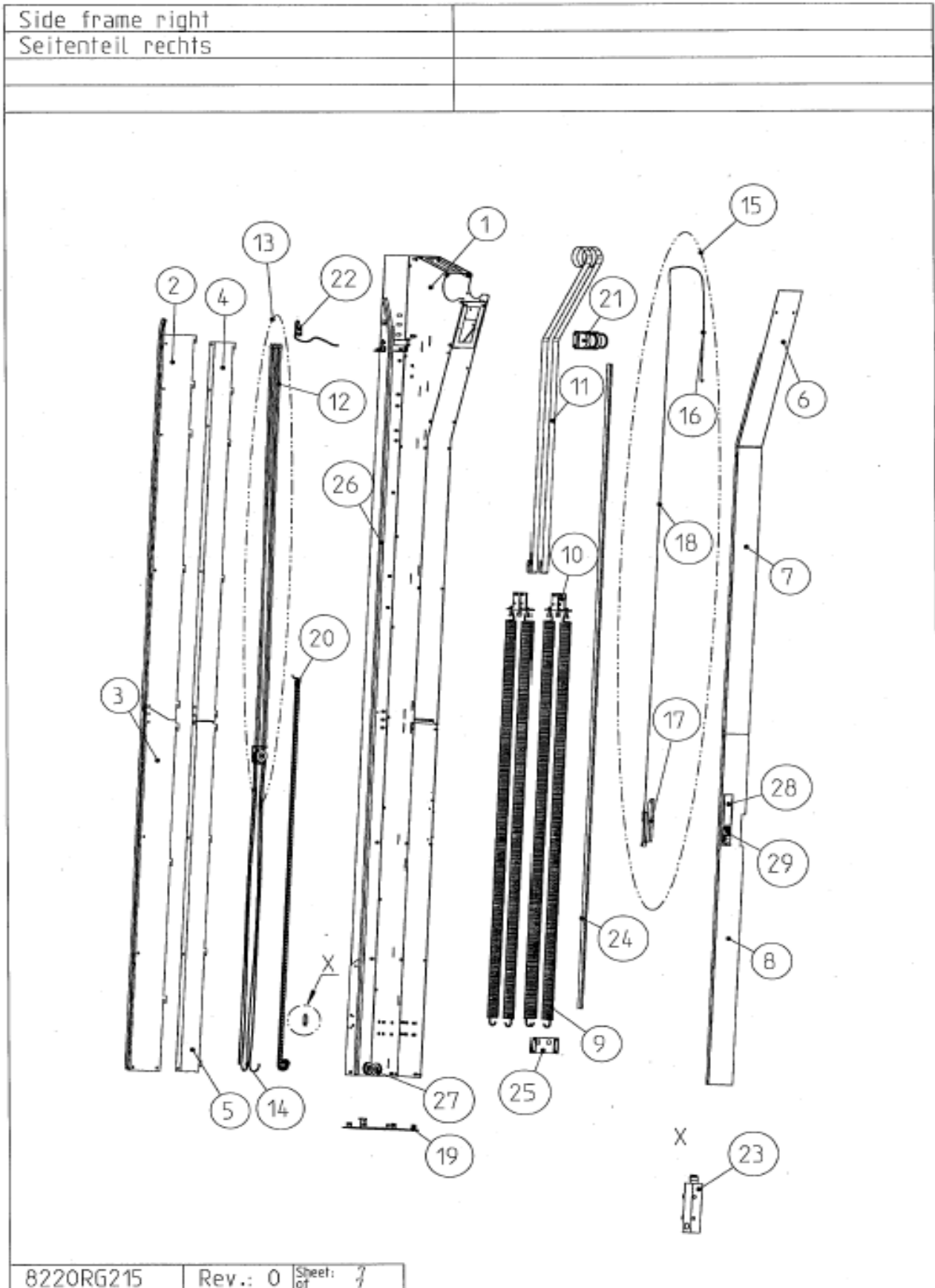
Move the yoke to the bottom of the clamp and retighten clamp



Rotate yoke rest to a horizontal position and snap yoke into pocket.

Reset door limits.
Your door is now ready to go back into service.



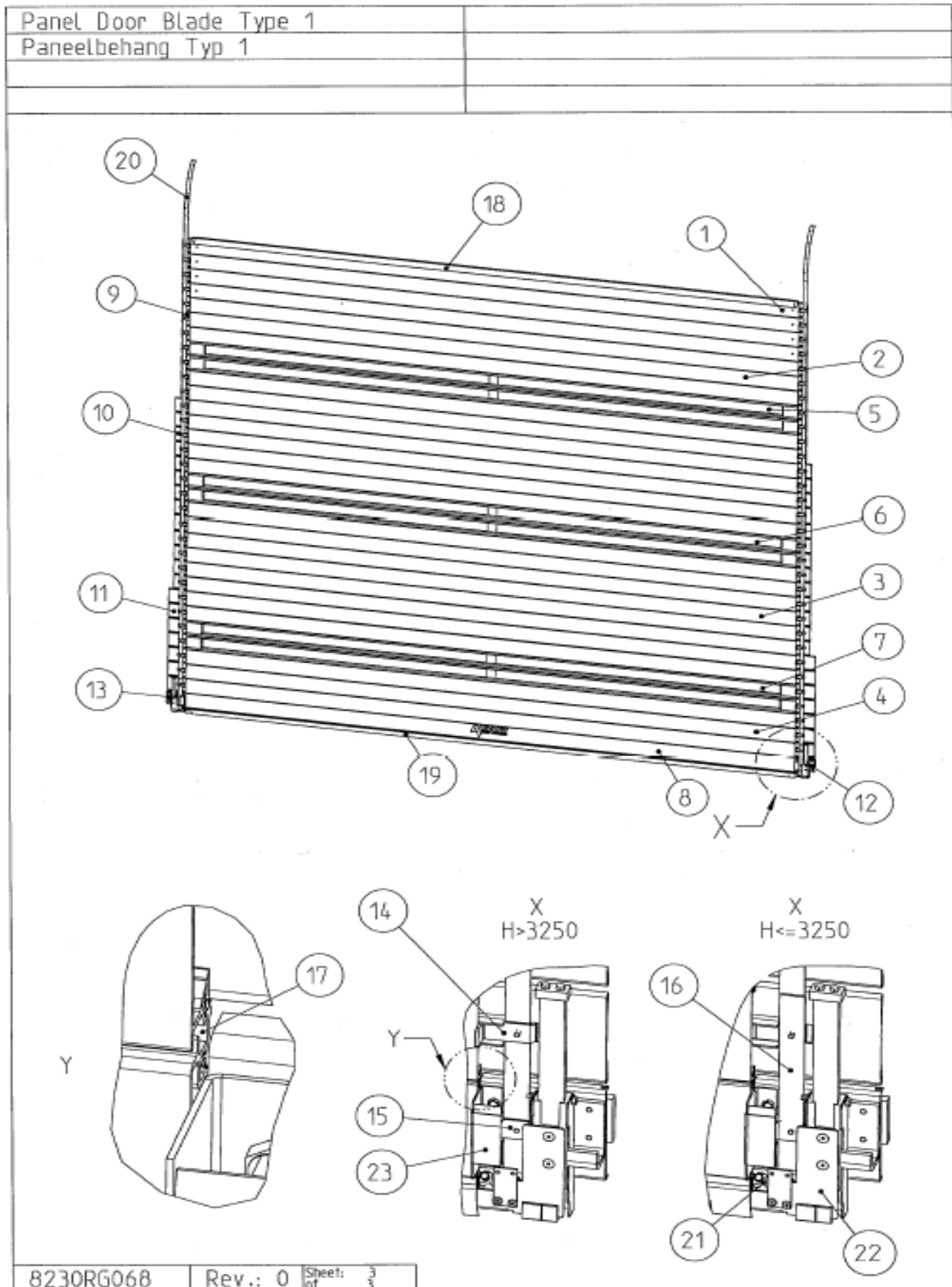


RR 3000, 2



Pos. item	Description	Bemerkung Note	Art.-Nr. Item-No	Delivery time class	Einheit Unit	Anzahl pro Tor Quantity per door	verschleißteil part / Slicetale	Wear
1	Side frame right Side frame left (mirror image)							
1	Column RH cpl		8220RG215	C	Stck./pc.	1		
	Column LH cpl		8220RG216	C	Stck./pc.	1		
2	Guide cover top RH		4521RG151	B	Stck./pc.	1		
	Guide cover top LH		4521RG152	B	Stck./pc.	1		
3	Guide cover bottom RH		4521R1101	B	Stck./pc.	1		
	Guide cover bottom LH		4521R1102	B	Stck./pc.	1		
4	Corner plate top RH		4521RG149	B	Stck./pc.	1		
	Corner plate top LH		4521RG150	B	Stck./pc.	1		
5	Corner plate bottom RH		4521R1099	B	Stck./pc.	1		
	Corner plate bottom LH		4521R1100	B	Stck./pc.	1		
6	Spring cover top		4521R0957	B	Stck./pc.	2		
7	Spring cover middle		4521RG109	B	Stck./pc.	2		
8	Spring cover bottom (side of bearing)	H>3000	4521R0974	B	Stck./pc.	1		
	Spring cover bottom (side of bearing)	H<=3000	4521RG111	B	Stck./pc.	1		
	Spring cover bottom RH (side of unit)	H>3000	4521R0972	B	Stck./pc.	1		
	Spring cover bottom LH (side of unit)	H>3000	4521R0973	B	Stck./pc.	1		
	Spring cover bottom RH (side of unit)	H<=3000	4521RG113	B	Stck./pc.	1		
	Spring cover bottom LH (side of unit)	H<=3000	4521RG115	B	Stck./pc.	1		
9	Tension spring short L=976mm	H<3000	4802R0009	A	Stck./pc.	max 12	X	
	Tension spring middle L=1397mm	3000<=H<4000	4802R0007	A	Stck./pc.	max 12	X	
	Tension spring long L=2193mm	H>=4000	4802R0008	A	Stck./pc.	max 12	X	
10	Spring suspension top cpl		8220R0050	A	Stck./pc.	4		
11	Belt (blue)	L=3500	5105R0045	A	m	4 pc		
12	Rubber cable curtain tension	L=(H-200)x0,6	5105R0009	A	mm	8 pc		
13	Redirection rope with cable		8120RG046	A	Stck./pc.	2		
14	Rope for curtain tension	L=H+940	5105R0037	A	mm	2 pc		
15	Emergency lever		8220RG218	A	Stck./pc.	1		
15	Bowdenhelix d=2,5	L=800	5005R0006	A	mm	1		
17	Brake lever		5005R0023	A	Stck./pc.	1		
18	Bowdencable d=1,5	L=H+500	5006R0007	A	mm	1		
19	Bottomplate RH		4521R1054	A	Stck./pc.	1		
	Bottomplate LH		4521R1055	A	Stck./pc.	1		
20	Cable Chain cpl	(*)	8520RG002	A	Stck./pc.	2		
21	Belt receptacle		8120R0047	A	Stck./pc.	2		
22	Proximity switch M8 10E Plugconnector		4905R0052	A	Stck./pc.	1		
23	Photocell transmitter	Seltenzell re	4904R0211	A	Stck./pc.	1		
	Photocell receiver	Seltenzell ll	4904R0283	A	Stck./pc.	1		
24	Cable Duct cpl	L=3000	8120R0049	A	Stck./pc.	4		
25	Spring Suspension		4521R1090	A	Stck./pc.	6		
26	Sliding rail		4101R0006	A	m	24		
27	Rope pulley		5003R0001	A	Stck./pc.	8		
28	Choice label emergency lever		8020R0004	A	Stck./pc.	1		
29	Door label		5404R0004	A	Stck./pc.	1		

(*)

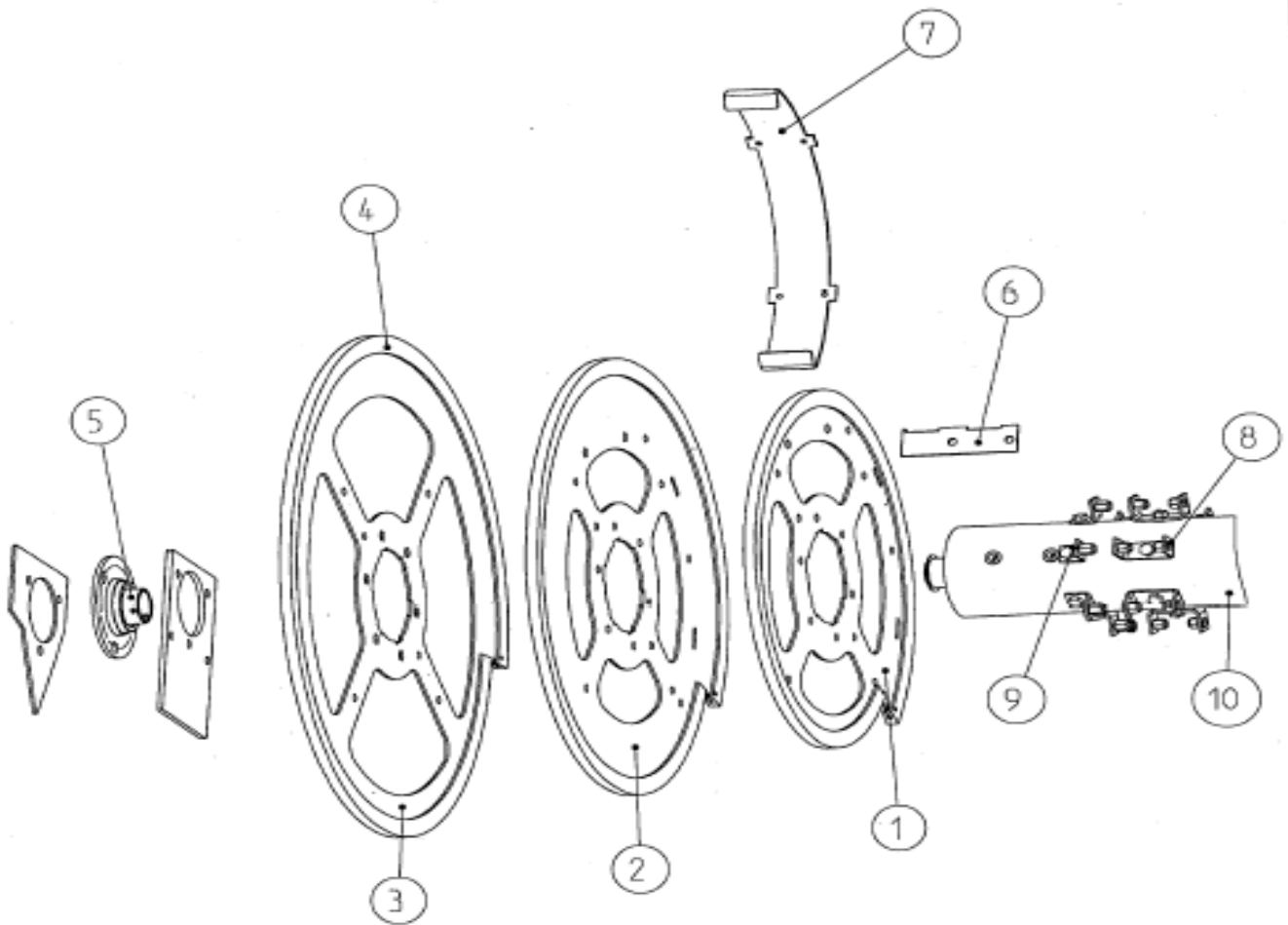




RR 3000, 2

Pos. Item	Description	Bemerkung Note	gültig bis valid from	Art.-Nr. Item-No	Delivery time class	Einhelt Unit		Anzahl pro Tor Quantity per door	Verschleißteil part / Sintersteife
II	Panel Door Blade Type 1								
1	Top lamella, with Intel sealing			8230RG032	A		m	1	
2	Lamella 1 with extension piece 1 - short			8230RG029	A		m	max 10	
3	Lamella 2 with extension piece 2 - middle			8230RG030	A		m	max 13	
4	Lamella 3 with extension piece 3 - long	H>3125		8230RG031	A		m	max 15	
5	Windowlamella 1 with extension piece 1 - short			8230RG033	A		m	max 8	
6	Windowlamella 2 with extension piece 2 - middle			8230RG034	A		m	max 8	
7	Windowlamella 3 with extension piece 3 - long	H>3125		8230RG035	A		m	max 10	
8	Bottom lamella with rubber profile, without extension piece 4			8230RG036	A		m	1	
9	Extension piece 1, short			4521R0877	A		Stck./pc.	max 22	
10	Extension piece 2, middle			4521R0878	A		Stck./pc.	max 26	
11	Extension piece 3, long			4521R0879	A		Stck./pc.	max 30	
12	Extension piece 4 re, for bottom lamella			8150R0064	A		Stck./pc.	1	
13	Extension piece 4 ll, for bottom lamella			8150R0065	A		Stck./pc.	1	
14	Clamping lug standard			4521R0966	A		Stck./pc.	max 78	
15	Clamping lug bracket 4	H>3250		4521R1028	A		Stck./pc.	max 2	
16	Connecting lug bracket 4	H<=3250		4521R1069	A		Stck./pc.	max 2	
17	Lamella sealing			4401R0014	A		m	200	
18	Sealing top lamella			4421RG011	A		m	6	
19	Bottom rubber profile			4401R0015	A		m	6	
20	Flat belt	L = H + 940		5105R0038	A		m	12	
21	Photocell transmitter RH	Varl. LS II		4904R0211	A		Stck./pc.	1	
	Photocell receiver LH	Varl. LS re		4904R0283	A		Stck./pc.	1	
22	Bracket pre running photocell RH			4521R0943	A		Stck./pc.	1	
	Bracket pre running photocell LH			4521R1023	A		Stck./pc.	1	
23	Activator Proximity switch RH			4521R0981	A		Stck./pc.	1	
	Activator Proximity switch LH			4521R0982	A		Stck./pc.	1	

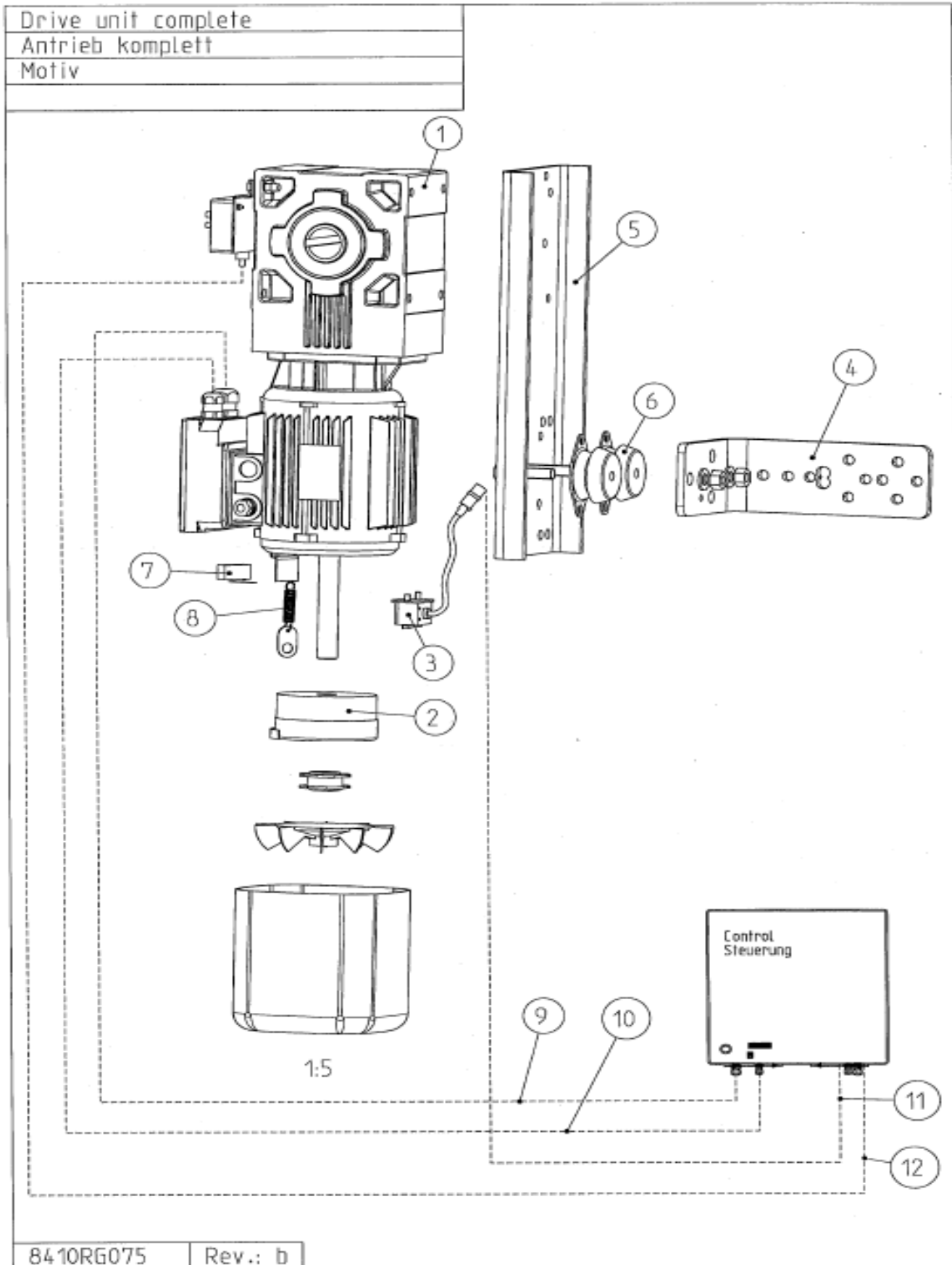
Barrel complete	
Wickelwelle kompl.	
Vals komplett	



RR 3000, 2



Pos. item	Description	Bemerkung Note	Art.-Nr. Item-No	Delivery time class	Einheit Unit		Anzahl pro Tor Quantity per door	Wear part / Stichtaste
III	Barrel cpl							
	Barrel cpl	H<=3250	8240RG100	C		Stck./pc.	1	
	Barrel cpl	H>3250	8240RG100	C		Stck./pc.	1	
1	Spiral disk 1		4521R0940	A		Stck./pc.	2	
2	Spiral disk 2		4521R0939	A		Stck./pc.	2	
3	Spiral disk 3 LH	H>3250	4521R1048	A		Stck./pc.	1	
	Spiral disk 3 RH	H>3250	4521R1047	A		Stck./pc.	1	
4	Dampener disks	L=1850	4401R0002	A		m	10	
5	Bearing d 35		8140R0050	A		Stck./pc.	2	
6	Brecket belt		4521R0953	A		Stck./pc.	2	
7	Winding plate		4521R0941	A		Stck./pc.	2	
8	U-Brecket		4521R0985	A		Stck./pc.	max 12	
9	Brecket cam		4521R0928	A		Stck./pc.	max 12	
10	Barrel without components		4521RG103	C		Stck./pc.	1	

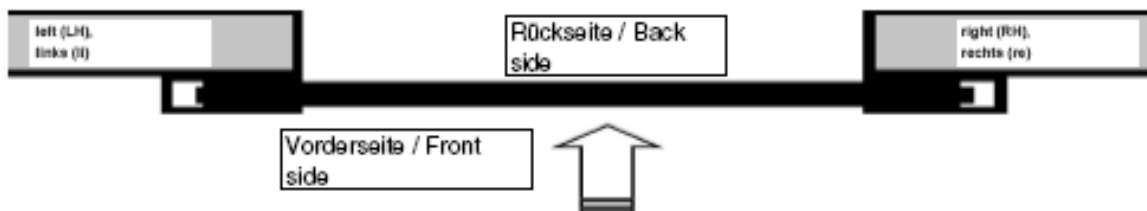


RR 3000, 2



Pos. item	Description	Bemerkung Note	gültig ab ▶ gültig bis valid from ▶ valid to	Art.-Nr. Item-No	Delivery time class	Einheit Unit		Anzahl pro Tor Quantity per door	Wear Verschleißteil part / Stichtafe
IV	Drive unit cpl								
1	Gear motor 220-230 / 400-415 V 50 Hz - ACS 50	H>4000		6601R0063	A		Stck./pc.	1	
	Gear motor 220-230 / 400-415 V 60 Hz - ACS 50	H<=4000		6601R0010	A		Stck./pc.	1	
2	Brake 15Nm 180V DC HL			6622R0018	A		Stck./pc.	1	
3	Double Proximity switch			4905R0019	A		Stck./pc.	1	
4	Torque Arm			4521R0776	A		Stck./pc.	1	
5	Spindle-limit-switch cpl. for drive unit standard			4521R1096	B		Stck./pc.	1	
6	Spindle-limit-switch			5004R0041	A		Stck./pc.	2	
7	Microswitch			6621R0002	B		Stck./pc.	1	
8	Spring 2,2x11x48			4802R0004	A		Stck./pc.	1	
9	No.-cable 4x1,5			4907R0020	A		mm	1 pc	
10	Cable 2x0,75			4907R0018	A		mm	1 pc	
11	Cable 4x0,25 11,5m GY	5m<SL<=10m		4907R0026	A		Stck./pc.	1	
	Cable 4x0,25 21,5m GY	10m<SL<=20m		4907R0027	A		Stck./pc.	1	
	Cable 4x0,25 31,5m GY	20m<SL<=30m		4907R0028	A		Stck./pc.	1	
	Cable 4x0,25 6,5m GY	SL<=5m		4907R0025	A		Stck./pc.	1	
12	Junctionbox Splug 11,5m cable	5m<SL<=10m		4906R0028	A		Stck./pc.	1	
	Junctionbox Splug 21,5m cable	10m<SL<=20m		4906R0029	A		Stck./pc.	1	
	Junctionbox Splug 31,5m cable	20m<SL<=30m		4906R0030	A		Stck./pc.	1	
	Junctionbox Splug 6,5m cable	SL<=5m		4906R0027	A		Stck./pc.	1	

Legend	
1	
S	No automatic price calculation
Delivery time	
A	Within 24 hours
B	2-3 Workdays
C	5-8 Workdays
D	10-14 Workdays
Wear parts	
x	Standard wear with time/use





ASSA ABLOY ENTRANCE SYSTEMS. All Rights Reserved
975-A Old Norcross Road, Lawrenceville, Georgia 30046
800-252-2691 www.albanydoors.com
