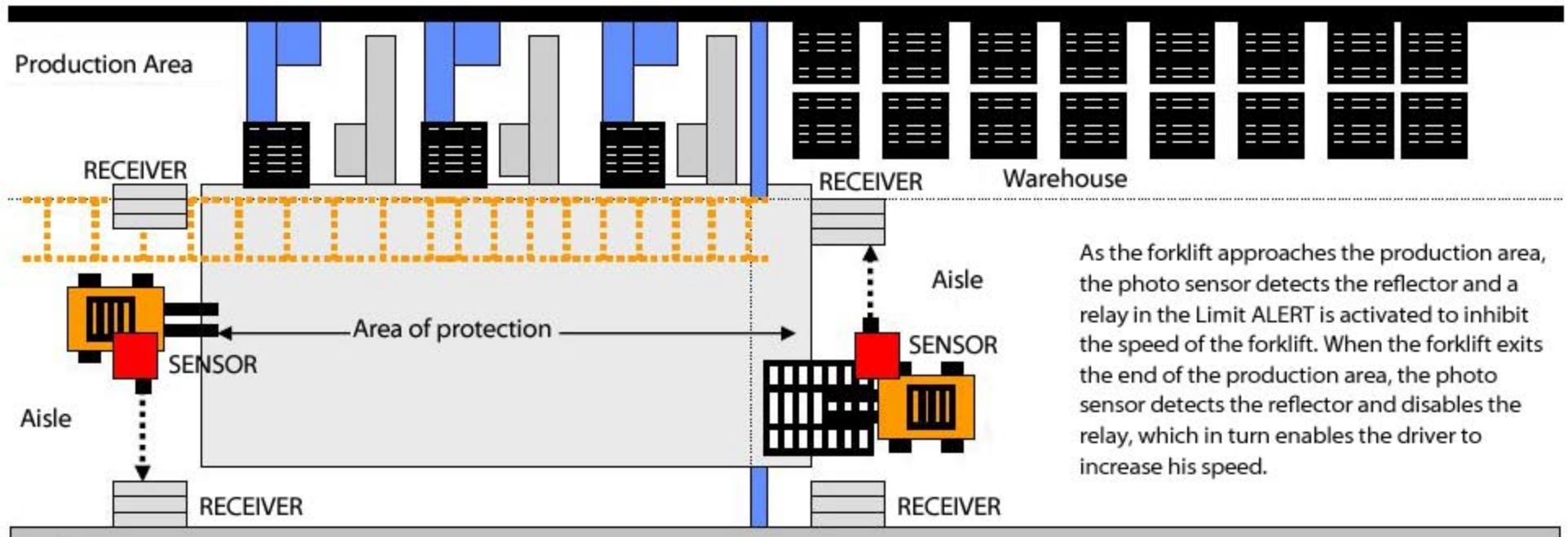


LIMIT ALERT



Interfaces with electric model logic boards & solenoids, (Raymond, Mitsubishi, & others), Shockwatch "Equip Manager", and other management systems.

Can automatically sound horn on forklift, turn on strobe light, or even shutdown forklift.