

BALDOR® • RELIANCE 

Product Information Packet

EM3702T

2HP,865RPM,3PH,60HZ,213T,3732M,TEFC,F1,N

| Part Detail | | | | | | | |
|-------------|--------|-------------|------------|-------------|--------|---------------|------------|
| Revision: | F | Status: | PRD/A | Change #: | | Proprietary: | No |
| Type: | AC | Elec. Spec: | 37WGS277 | CD Diagram: | CD0005 | Mfg Plant: | |
| Mech. Spec: | 37G813 | Layout: | 37LYG813 | Poles: | 08 | Created Date: | 04-07-2015 |
| Base: | RG | Eff. Date: | 07-18-2019 | Leads: | 9#14 | | |

| Specs | | | |
|---------------------------------|-------------------------|--------------------------------|-----------------------|
| Catalog Number: | EM3702T | Insulation Class: | F |
| Enclosure: | TEFC | Inverter Code: | Not Inverter |
| Frame: | 213T | KVA Code: | H |
| Frame Material: | Steel | Lifting Lugs: | Standard Lifting Lugs |
| Output @ Frequency: | 2.000 HP @ 60 HZ | Locked Bearing Indicator: | No Locked Bearing |
| Synchronous Speed @ Frequency: | 900 RPM @ 60 HZ | Motor Lead Quantity/Wire Size: | 9 @ 14 AWG |
| Voltage @ Frequency: | 460.0 V @ 60 HZ | Motor Lead Exit: | Ko Box |
| | 230.0 V @ 60 HZ | Motor Lead Termination: | Flying Leads |
| XP Class and Group: | None | Motor Type: | 3732M |
| XP Division: | Not Applicable | Mounting Arrangement: | F1 |
| Agency Approvals: | CSA | Power Factor: | 62 |
| | UR | Product Family: | General Purpose |
| Auxillary Box: | No Auxillary Box | Pulley End Bearing Type: | Ball |
| Auxillary Box Lead Termination: | None | Pulley Face Code: | Standard |
| Base Indicator: | Rigid | Pulley Shaft Indicator: | Standard |
| Bearing Grease Type: | Polyrex EM (-20F +300F) | Rodent Screen: | None |
| Blower: | None | Shaft Extension Location: | Pulley End |
| Current @ Voltage: | 3.500 A @ 460.0 V | Shaft Ground Indicator: | No Shaft Grounding |

| | | | |
|---------------------------------------|---------------------------|------------------------------------|---------------------|
| | 7.000 A @ 230.0 V | Shaft Rotation: | Reversible |
| | 7.200 A @ 208.0 V | Shaft Slinger Indicator: | No Slinger |
| Design Code: | B | Speed Code: | Single Speed |
| Drip Cover: | No Drip Cover | Motor Standards: | NEMA |
| Duty Rating: | CONT | Starting Method: | Direct on line |
| Electrically Isolated Bearing: | Not Electrically Isolated | Thermal Device - Bearing: | None |
| Feedback Device: | NO FEEDBACK | Thermal Device - Winding: | None |
| Front Face Code: | Standard | Vibration Sensor Indicator: | No Vibration Sensor |
| Front Shaft Indicator: | None | Winding Thermal 1: | None |
| Heater Indicator: | No Heater | Winding Thermal 2: | None |

| | | | | | | | | | | |
|--------------------------|--------------|--|-------------|------------|-----------------------|-----|--|-----------|-----------|---|
| Nameplate NP2116L | | | | | | | | | | |
| CAT.NO. | EM3702T | | | | | | | | | |
| SPEC. | 37G813S277G1 | | | | | | | | | |
| HP | 2 | | | | | | | | | |
| VOLTS | 230/460 | | | | | | | | | |
| AMP | 7/3.5 | | | | | | | | | |
| RPM | 865 | | | | | | | | | |
| FRAME | 213T | | | | HZ | 60 | | | PH | 3 |
| SER.F. | 1.15 | | CODE | H | DES | B | | CL | F | |
| NEMA-NOM-EFF | 84 | | PF | 62 | | | | | | |
| RATING | 40C AMB-CONT | | | | | | | | | |
| CC | 010A | | | | USABLE AT 208V | 7.2 | | | | |
| DE | 6307 | | | ODE | 6206 | | | | | |
| ENCL | TEFC | | SN | | | | | | | |

| Parts List | | |
|-------------|--|----------|
| Part Number | Description | Quantity |
| SA296337 | SA 37G813S277G1 | 1.000 EA |
| RA282379 | RA 37G813S277G1 | 1.000 EA |
| HW3200A01 | 3/8-16X3/4 I-BLT WELDED F/S | 1.000 EA |
| 37CB3006 | 37 CB CASTING W/1.38 LEAD HOLE @ 6:00 | 1.000 EA |
| 37GS1000SP | GASKET, CONDUIT BOX STD., .06 THICK LEXI | 1.000 EA |
| 51XW2520A12 | .25-20 X .75, TAPTITE II, HEX WSHR SLTD | 2.000 EA |
| 11XW1032G06 | 10-32 X .38, TAPTITE II, HEX WSHR SLTD U | 1.000 EA |
| 37EP3101A01 | FR ENDPLATE, FOR ROUTING PURPOSES | 1.000 EA |
| HW4500A01 | 1641B(ALEMITE)400 UNIV, GREASE FITT | 1.000 EA |
| HW5100A06 | W2420-025 WVY WSHR (WB) | 1.000 EA |
| 37PE3100A01 | PUEP ASSEMBLY - ROUTING PUPROSES | 1.000 EA |
| HW4500A01 | 1641B(ALEMITE)400 UNIV, GREASE FITT | 1.000 EA |
| XY3118A12 | 5/16-18 HEX NUT DIRECTIONAL SERRATION | 4.000 EA |
| 51XB1214A20 | 12-14X1.25 HXWSSLD SERTYB | 1.000 EA |
| 07FH4007SP | PRIMED | 1.000 EA |
| 51XW1032A06 | 10-32 X .38, TAPTITE II, HEX WSHR SLTD S | 3.000 EA |
| 37CB4516 | LIPPED LID FOR 37 FRAME NEC KOBX | 1.000 EA |
| 37GS1008 | 37 GS FOR CB LID - LEXIDE | 1.000 EA |
| 51XW0832A07 | 8-32 X .44, TAPTITE II, HEX WSHR SLTD SE | 4.000 EA |
| HW2501F21 | KEY, 5/16 SQ X 2.375 | 1.000 EA |
| HA7000A02 | KEY RETAINER RING, 1 1/8 DIA, 1 3/8 DIA | 1.000 EA |
| 85XU0407S04 | 4X1/4 U DRIVE PIN STAINLESS | 2.000 EA |
| LB1115N | LABEL,LIFTING DEVICE (ON ROLLS) | 1.000 EA |
| MJ1000A02 | GREASE, MOBIL POLYREX EM - 124047 | 0.050 LB |

| Parts List (continued) | | |
|-------------------------------|--|-----------------|
| Part Number | Description | Quantity |
| 36FN3000C02SP | EXFN, PLASTIC, 5.25 OD, 1.175 ID | 1.000 EA |
| MG1000G27 | MED CHARCOAL METALLIC GREY 400-0096 | 0.028 GA |
| HA3104A14 | THRUBOLT- 5/16-18 X12.125(OHIO) | 4.000 EA |
| LC0005E01 | CONN.DIA./WARNING LABEL (LC0005/LB1119N) | 1.000 EA |
| NP2116L | ALUM SUPER-E UL CSA CC | 1.000 EA |
| G0PA1000 | PKG GRP, PRINT PK1026A06 | 1.000 EA |
| MN416A01 | TAG-INSTAL-MAINT no wire (1200/bx) 3/19 | 1.000 EA |

AC Induction Motor Performance Data

Record # 49983 - Typical performance - not guaranteed values

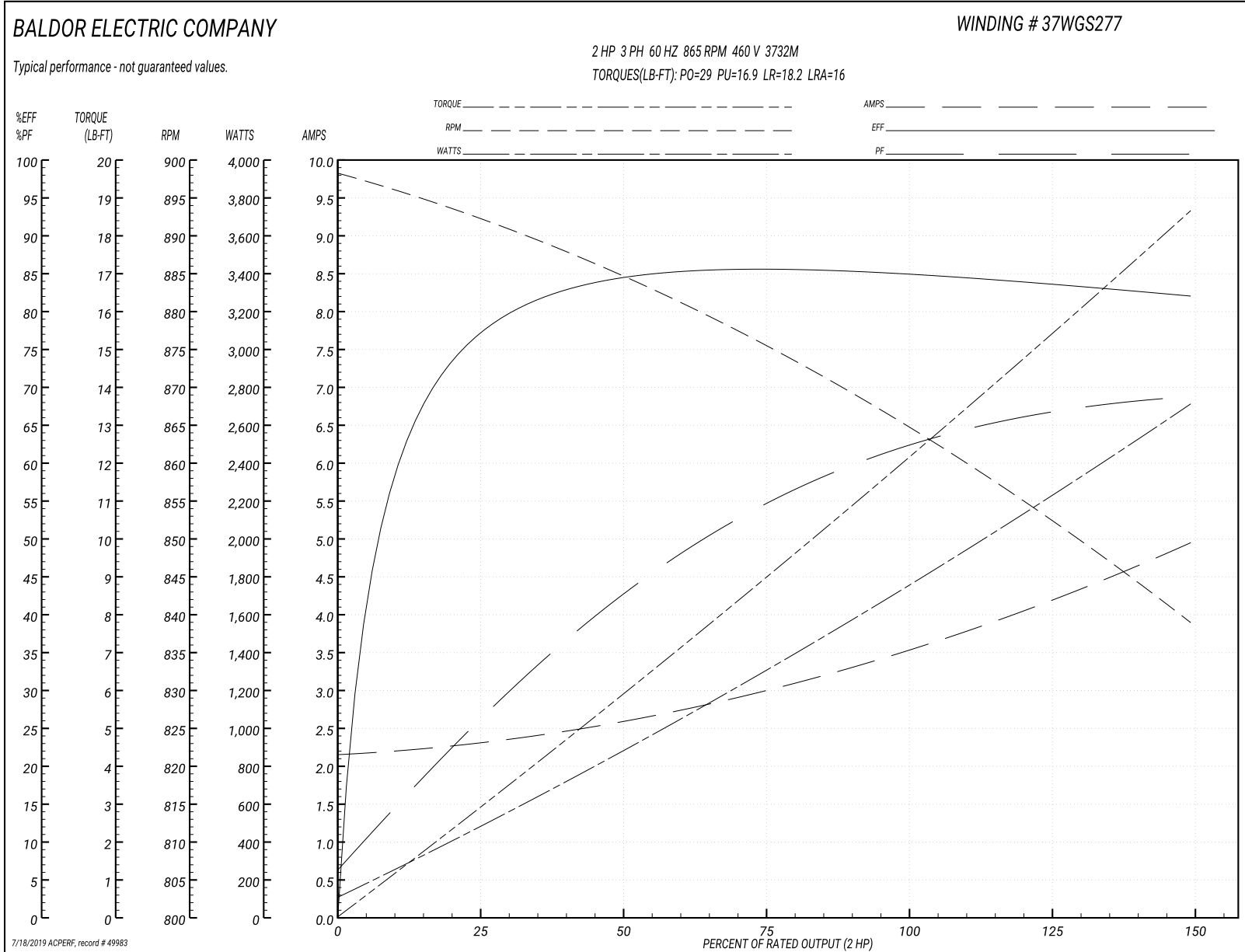
| | | |
|-------------------------------|--------------------|------------------------|
| Winding: 37WGS277-R008 | Type: 3732M | Enclosure: TEFC |
|-------------------------------|--------------------|------------------------|

| Nameplate Data | | | | 460 V, 60 Hz: High Voltage Connection | |
|-----------------------|--------------|--------------|----|--|--------------------------|
| Rated Output (HP) | 2 | | | Full Load Torque | 11.9 LB-FT |
| Volts | 230/460 | | | Start Configuration | direct on line |
| Full Load Amps | 7/3.5 | | | Breakdown Torque | 29 LB-FT |
| R.P.M. | 865 | | | Pull-up Torque | 16.9 LB-FT |
| Hz | 60 | Phase | 3 | Locked-rotor Torque | 18.2 LB-FT |
| NEMA Design Code | B | KVA Code | H | Starting Current | 16 A |
| Service Factor (S.F.) | 1.15 | | | No-load Current | 2.17 A |
| NEMA Nom. Eff. | 84 | Power Factor | 62 | Line-line Res. @ 25°C | 5.9 Ω |
| Rating - Duty | 40C AMB-CONT | | | Temp. Rise @ Rated Load | 36°C |
| S.F. Amps | | | | Temp. Rise @ S.F. Load | 43°C |
| | | | | Locked-rotor Power Factor | 34.8 |
| | | | | Rotor inertia | 0.796 LB-FT ² |

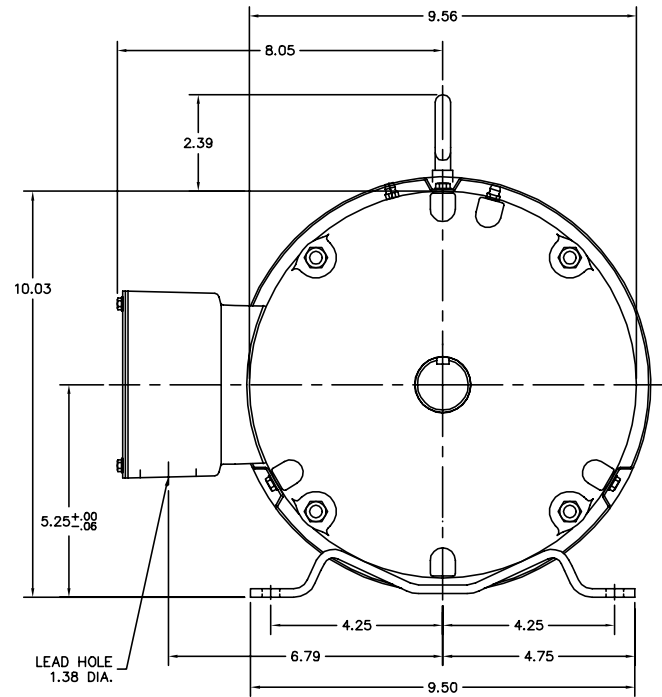
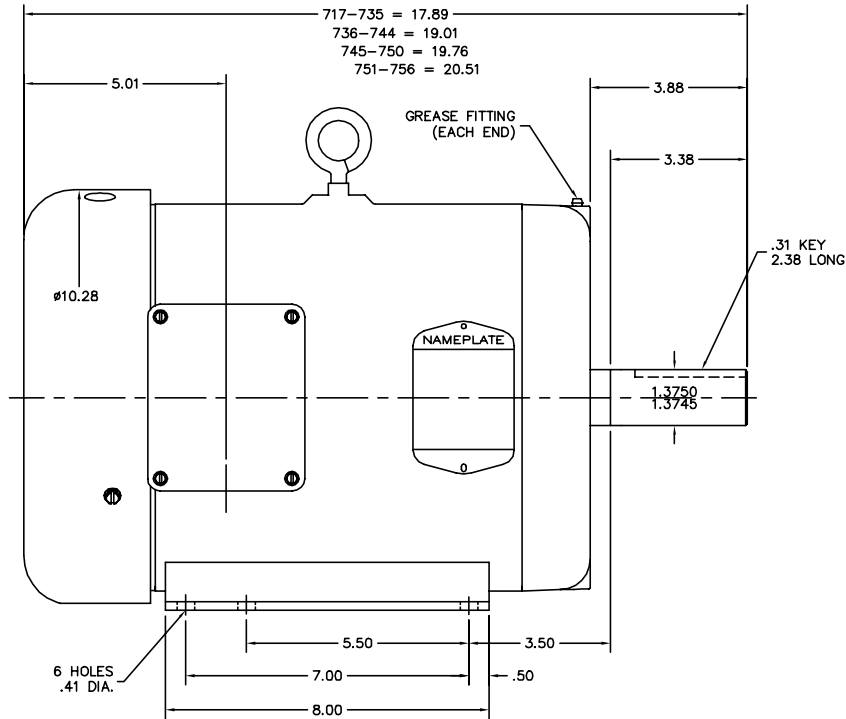
Load Characteristics 460 V, 60 Hz, 2 HP

| % of Rated Load | 25 | 50 | 75 | 100 | 125 | 150 | S.F. |
|-----------------|------|------|------|------|------|------|------|
| Power Factor | 26 | 43 | 54 | 62 | 66 | 69 | 64 |
| Efficiency | 75.5 | 83.7 | 85.9 | 85 | 84.1 | 81.8 | 84.5 |
| Speed | 892 | 884 | 876 | 866 | 854 | 838 | 859 |
| Line amperes | 2.28 | 2.57 | 2.98 | 3.51 | 4.18 | 4.94 | 3.91 |

Performance Graph at 460V, 60Hz, 2.0HP Typical performance - Not guaranteed values



37LYG813



CUSTOMER IS RESPONSIBLE FOR DETERMINING THAT MOTOR PERFORMANCE IS SUITABLE IN THE APPLICATION.

| | | | |
|-------------------------------------|---------|------------------------------|-------------|
| REV. DESC: ADDED KOBX LEAD HOLE DIM | | | |
| REV. LTR: F | BY: RMP | REVISED: 16:06:08 09/08/2004 | TDR: 342766 |
| FILE: AAA00050966 | | REF: 37LYG813 | |
| MTL: - | | | |

BALDOR ELECTRIC Co.

HORZ 213-5T TEFC 37M W/EPACT SHOVE

37LYG813

CD0005

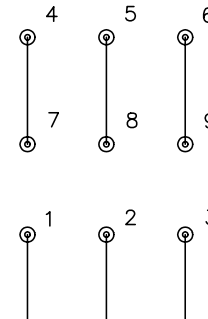


LOW VOLTAGE
(2Y)



LINE

HIGH VOLTAGE
(1Y)



LINE

NOTES:

1. INTERCHANGE ANY TWO LINE LEADS TO REVERSE ROTATION.
2. OPTIONAL THERMOSTATS ARE PROVIDED WHEN SPECIFIED.
3. ACTUAL NUMBER OF INTERNAL PARALLEL CIRCUITS MAY BE A MULTIPLE OF THOSE SHOWN ABOVE.
4. LEAD COLORS ARE OPTIONAL. LEADS MUST ALWAYS BE NUMBERED AS SHOWN.

| | | | |
|---|---------|-------------------------|--------------|
| REV. DESC: REVISE TO SHOW OPTIONAL COLORS | | | |
| REV. LTR: E | BY: JLP | REVISED: 01/19/99 10:15 | TDR: 0171435 |
| 900000 | | FILE: AAA00005140 | MDL: - |
| | | MTL: - | |

BALDOR ELECTRIC Co.

3PH, DV, 9 LEADS

CD0005