

**BALDOR® • RELIANCE** 

**Product Information Packet**

**M3460**

**.5HP,3450RPM,3PH,60HZ,48,3410M,TEFC,F1**

| Part Detail |        |             |            |             |        |               |    |
|-------------|--------|-------------|------------|-------------|--------|---------------|----|
| Revision:   | R      | Status:     | PRD/A      | Change #:   |        | Proprietary:  | No |
| Type:       | AC     | Elec. Spec: | 34WG0232   | CD Diagram: | CD0005 | Mfg Plant:    |    |
| Mech. Spec: | 34A051 | Layout:     | 34LYA051   | Poles:      | 02     | Created Date: |    |
| Base:       | RG     | Eff. Date:  | 06-14-2018 | Leads:      | 9#18   |               |    |

| Specs                           |                         |                                |                    |
|---------------------------------|-------------------------|--------------------------------|--------------------|
| Catalog Number:                 | M3460                   | Insulation Class:              | B                  |
| Enclosure:                      | TEFC                    | Inverter Code:                 | Not Inverter       |
| Frame:                          | 48                      | KVA Code:                      | L                  |
| Frame Material:                 | Steel                   | Lifting Lugs:                  | No Lifting Lugs    |
| Output @ Frequency:             | .500 HP @ 60 HZ         | Locked Bearing Indicator:      | No Locked Bearing  |
| Synchronous Speed @ Frequency:  | 3600 RPM @ 60 HZ        | Motor Lead Quantity/Wire Size: | 9 @ 18 AWG         |
| Voltage @ Frequency:            | 460.0 V @ 60 HZ         | Motor Lead Exit:               | Ko Box             |
|                                 | 230.0 V @ 60 HZ         | Motor Lead Termination:        | Flying Leads       |
| XP Class and Group:             | None                    | Motor Type:                    | 3410M              |
| XP Division:                    | Not Applicable          | Mounting Arrangement:          | F1                 |
| Agency Approvals:               | CSA                     | Power Factor:                  | 63                 |
|                                 | UR                      | Product Family:                | General Purpose    |
| Auxillary Box:                  | No Auxillary Box        | Pulley End Bearing Type:       | Ball               |
| Auxillary Box Lead Termination: | None                    | Pulley Face Code:              | Standard           |
| Base Indicator:                 | Rigid                   | Pulley Shaft Indicator:        | Standard           |
| Bearing Grease Type:            | Polyrex EM (-20F +300F) | Rodent Screen:                 | None               |
| Blower:                         | None                    | Shaft Extension Location:      | Pulley End         |
| Current @ Voltage:              | 1.000 A @ 460.0 V       | Shaft Ground Indicator:        | No Shaft Grounding |

|                                       |                           |                                    |                     |
|---------------------------------------|---------------------------|------------------------------------|---------------------|
|                                       | 2.000 A @ 230.0 V         | <b>Shaft Rotation:</b>             | Reversible          |
|                                       | 2.600 A @ 208.0 V         | <b>Shaft Slinger Indicator:</b>    | No Slinger          |
| <b>Design Code:</b>                   | B                         | <b>Speed Code:</b>                 | Single Speed        |
| <b>Drip Cover:</b>                    | No Drip Cover             | <b>Motor Standards:</b>            | NEMA                |
| <b>Duty Rating:</b>                   | CONT                      | <b>Starting Method:</b>            | Direct on line      |
| <b>Electrically Isolated Bearing:</b> | Not Electrically Isolated | <b>Thermal Device - Bearing:</b>   | None                |
| <b>Feedback Device:</b>               | NO FEEDBACK               | <b>Thermal Device - Winding:</b>   | None                |
| <b>Front Face Code:</b>               | Standard                  | <b>Vibration Sensor Indicator:</b> | No Vibration Sensor |
| <b>Front Shaft Indicator:</b>         | None                      | <b>Winding Thermal 1:</b>          | None                |
| <b>Heater Indicator:</b>              | No Heater                 | <b>Winding Thermal 2:</b>          | None                |

| Nameplate NP1256L |              |  |      |    |     |      |  |                |     |   |
|-------------------|--------------|--|------|----|-----|------|--|----------------|-----|---|
| CAT.NO.           | M3460        |  |      |    |     |      |  |                |     |   |
| SPEC.             | 34A51-232    |  |      |    |     |      |  |                |     |   |
| HP                | .5           |  |      |    |     |      |  |                |     |   |
| VOLTS             | 230/460      |  |      |    |     |      |  |                |     |   |
| AMP               | 2/1          |  |      |    |     |      |  |                |     |   |
| RPM               | 3450         |  |      |    |     |      |  |                |     |   |
| FRAME             | 48           |  |      |    | HZ  | 60   |  |                | PH  | 3 |
| SER.F.            | 1.25         |  | CODE | L  | DES | B    |  | CLASS          | B   |   |
| NEMA-NOM-EFF      | 68           |  | PF   | 63 |     |      |  |                |     |   |
| RATING            | 40C AMB-CONT |  |      |    |     |      |  |                |     |   |
| CC                |              |  |      |    |     |      |  | USABLE AT 208V | 2.6 |   |
| DE                | 6203         |  |      |    | ODE | 6203 |  |                |     |   |
| ENCL              | TEFC         |  | SN   |    |     |      |  |                |     |   |
|                   | SFA 2.4/1.2  |  |      |    |     |      |  |                |     |   |

| Parts List    |  |          |
|---------------|--|----------|
| Part Number   | Description                              | Quantity |
| SA009746      | SA 34A51-232                             | 1.000 EA |
| RA006191      | RA 34A51-232                             | 1.000 EA |
| NS2512A01     | INSULATOR, CONDUIT BOX X                 | 1.000 EA |
| 34CB3002A     | CB CAST W/.88 DIA HOLE                   | 1.000 EA |
| 34GS1029A01   | GASKET, CONDUIT BOX                      | 1.000 EA |
| 51XB1016A07   | 10-16 X 7/16 HXWSSLD SERTYB              | 2.000 EA |
| 11XW1032G06   | 10-32 X .38, TAPTITE II, HEX WSHR SLTD U | 1.000 EA |
| 34EP3102A01SP | FR ENDPLATE, MACH                        | 1.000 EA |
| HW5100A03     | WAVY WASHER (W1543-017)                  | 1.000 EA |
| 34EP3102A02SP | FR/PU ENDPLATE, MACH                     | 1.000 EA |
| XY1032A02     | 10-32 HEX NUT DIRECTIONAL SERRATION      | 4.000 EA |
| 34FN3002A01SP | EXTERNAL FAN, PLASTIC, .637/.639 HUB W/  | 1.000 EA |
| 34FH4002A01SP | IEC FH NO GREASER PRIMED                 | 1.000 EA |
| 51XW1032A06   | 10-32 X .38, TAPTITE II, HEX WSHR SLTD S | 3.000 EA |
| 34CB4517      | CB LID 4 MTG HOLES .22 DIA STAMPED, FOR  | 1.000 EA |
| 34GS1031A01   | GASKET, FLAT CONDUIT BOX LID (LEXIDE)    | 1.000 EA |
| 51XW0832A07   | 8-32 X .44, TAPTITE II, HEX WSHR SLTD SE | 4.000 EA |
| MG1000G27     | MED CHARCOAL METALLIC GREY 400-0096      | 0.014 GA |
| 85XU0407S04   | 4X1/4 U DRIVE PIN STAINLESS              | 2.000 EA |
| HA3100A12     | THRUBOLT 10-32 X 7.375                   | 4.000 EA |
| LC0005E01     | CONN.DIA./WARNING LABEL (LC0005/LB1119N) | 1.000 EA |
| NP1256L       | ALUM UL CSA CC INDUSTRIAL MOTOR A60      | 1.000 EA |
| 34PA1002      | PKG GRP, PRINT PK1001A01                 | 1.000 EA |

| <b>Accessories</b> |                    |                   |
|--------------------|--------------------|-------------------|
| <b>Part Number</b> | <b>Description</b> | <b>Multiplier</b> |
| 34-3900T           | C-FACE KIT         | A8                |

**AC Induction Motor Performance Data**

Record # 6559 - Typical performance - not guaranteed values

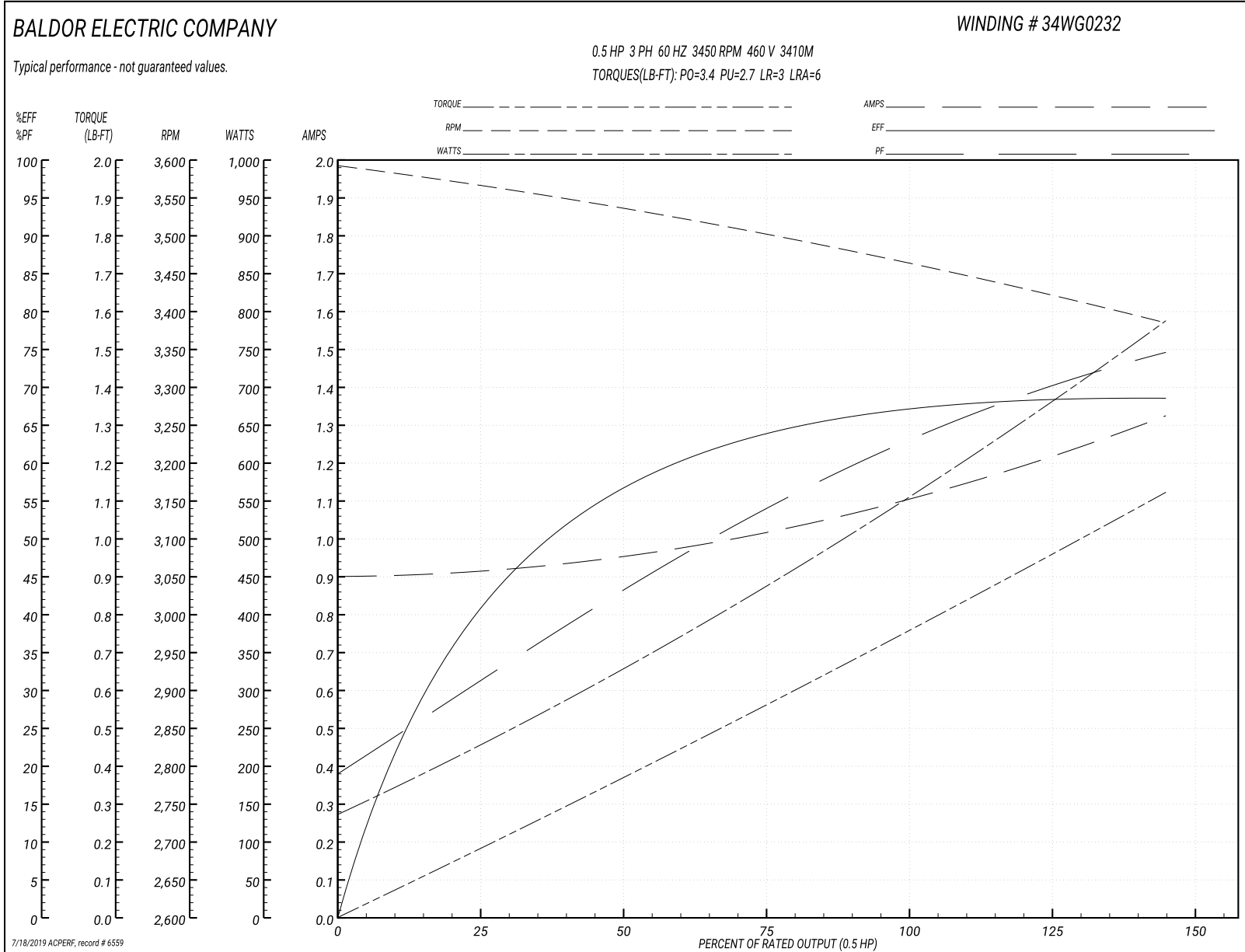
|                               |                    |                        |
|-------------------------------|--------------------|------------------------|
| <b>Winding:</b> 34WG0232-R001 | <b>Type:</b> 3410M | <b>Enclosure:</b> TEFC |
|-------------------------------|--------------------|------------------------|

| Nameplate Data        |              |              |    | 460 V, 60 Hz:<br>High Voltage Connection |                           |
|-----------------------|--------------|--------------|----|--|---------------------------|
| Rated Output (HP)     | .5           |              |    | Full Load Torque                         | 0.75 LB-FT                |
| Volts                 | 230/460      |              |    | Start Configuration                      | direct on line            |
| Full Load Amps        | 2/1          |              |    | Breakdown Torque                         | 3.4 LB-FT                 |
| R.P.M.                | 3450         |              |    | Pull-up Torque                           | 2.7 LB-FT                 |
| Hz                    | 60           | Phase        | 3  | Locked-rotor Torque                      | 3 LB-FT                   |
| NEMA Design Code      | B            | KVA Code     | L  | Starting Current                         | 6 A                       |
| Service Factor (S.F.) | 1.25         |              |    | No-load Current                          | 0.9 A                     |
| NEMA Nom. Eff.        | 68           | Power Factor | 63 | Line-line Res. @ 25°C                    | 35.1 Ω                    |
| Rating - Duty         | 40C AMB-CONT |              |    | Temp. Rise @ Rated Load                  | 58°C                      |
| S.F. Amps             | 2.4/1.2      |              |    | Temp. Rise @ S.F. Load                   | 69°C                      |
|                       |              |              |    | Locked-rotor Power Factor                | 78                        |
|                       |              |              |    | Rotor inertia                            | 0.0093 LB-FT <sup>2</sup> |

Load Characteristics 460 V, 60 Hz, 0.5 HP

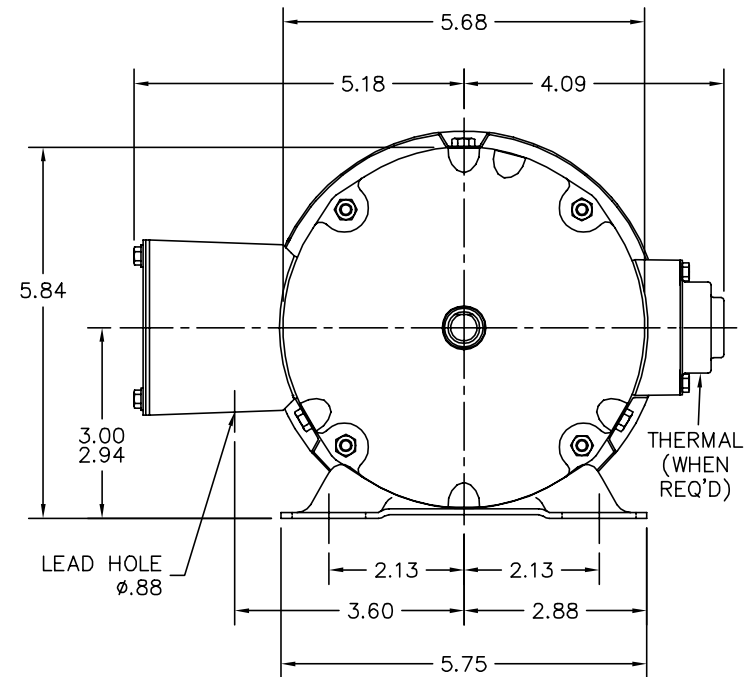
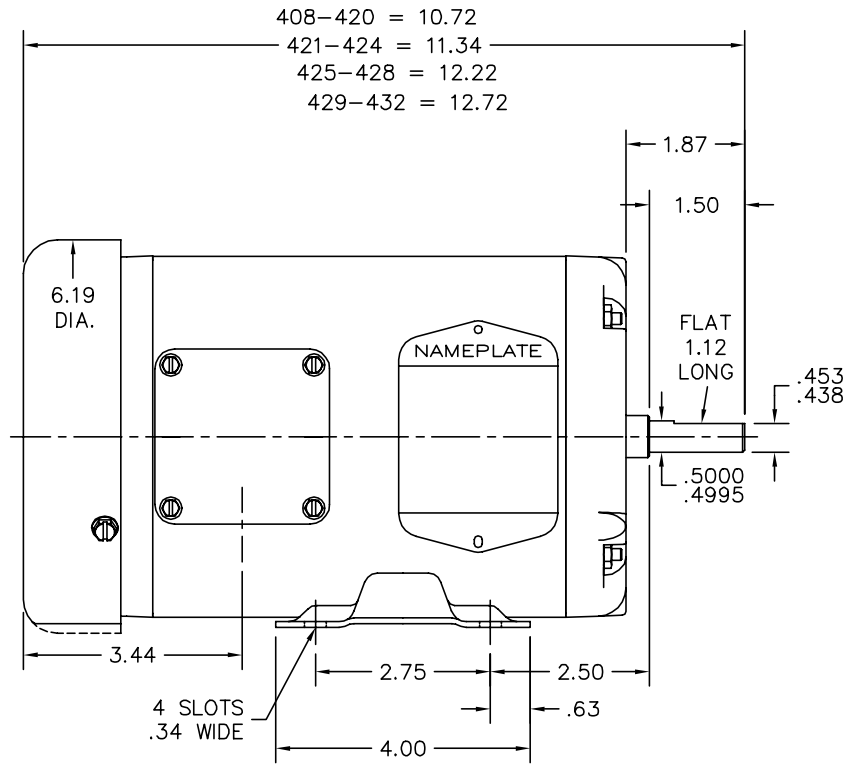
| % of Rated Load | 25   | 50   | 75   | 100  | 125  | 150  | S.F. |
|-----------------|------|------|------|------|------|------|------|
| Power Factor    | 33   | 44   | 56   | 64   | 70   | 77   | 70   |
| Efficiency      | 41.4 | 56.3 | 64   | 67.2 | 68.4 | 68.5 | 68.4 |
| Speed           | 3563 | 3535 | 3501 | 3466 | 3432 | 3381 | 3432 |
| Line amperes    | 0.91 | 0.97 | 1.01 | 1.1  | 1.2  | 1.33 | 1.2  |

Performance Graph at 460V, 60Hz, 0.5HP Typical performance - Not guaranteed values





34LYA051



CUSTOMER IS RESPONSIBLE FOR DETERMINING THAT BALDOR'S PRODUCT WILL PERFORM SUITABLY IN THE INTENDED APPLICATION.

|                                      |                               |                   |
|--------------------------------------|-------------------------------|-------------------|
| REV. DESC: CHG 34SH1174- TO 34SH1174 |                               |                   |
| REV. LTR: L                          | VERSION: 04                   | TDR: 000001004283 |
| FILE: \AAA\00006\622                 | REVISED: 02: 45:12 11/09/2016 | BY: ENBENBO       |
| MTL: -                               | © □                           |                   |

**BALDOR**

STD HORZ 34M NEMA 48 TEFC

SH 1 of 1

34LYA051

CD0005



LOW VOLTAGE  
(2Y)



LINE

HIGH VOLTAGE  
(1Y)



LINE

NOTES:

1. INTERCHANGE ANY TWO LINE LEADS TO REVERSE ROTATION.
2. OPTIONAL THERMOSTATS ARE PROVIDED WHEN SPECIFIED.
3. ACTUAL NUMBER OF INTERNAL PARALLEL CIRCUITS MAY BE A MULTIPLE OF THOSE SHOWN ABOVE.
4. LEAD COLORS ARE OPTIONAL. LEADS MUST ALWAYS BE NUMBERED AS SHOWN.

|   |         |                         |              |
|---|---------|-------------------------|--------------|
| REV. DESC: REVISE TO SHOW OPTIONAL COLORS |         |                         |              |
| REV. LTR: E                               | BY: JLP | REVISED: 01/19/99 10:15 | TDR: 0171435 |
| 900000                                    |         | FILE: AAA00005140       | MDL: -       |
|   |         | MTL: -                  |              |

**BALDOR ELECTRIC Co.**

3PH, DV, 9 LEADS

CD0005