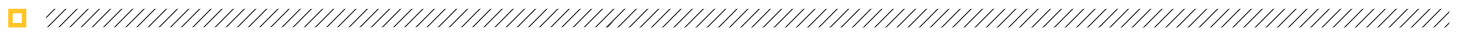


BAFCon

Technical Specifications

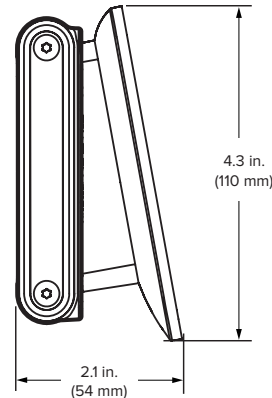
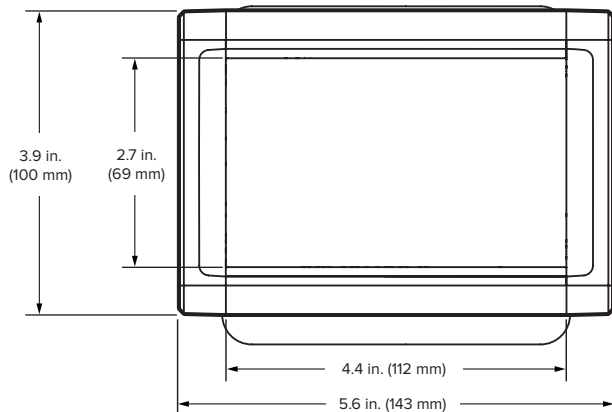
With automatic fan recognition and an intuitive touchscreen interface, setup and control of your Big Ass Fans is a breeze in any space. Operate your fans manually, or use integrated SmartSense technology to automatically match the speed of your fan to seasonal conditions for maximum energy savings and 24/7 comfort.



VERSATILE SMART CONTROLLER

- **Touchscreen Interface** — 24-bit color LCD display with resistive touchscreen protected in sleek metal and ABS housing.
- **SmartSense Technology** — Automatically adjusts fan speed based on seasonal conditions to minimize ceiling-to-floor temperature differential for enhanced destratification in winter and automatic cooling in summer.
- **Safety and Protection** — Multi-level password protection ensures fans run efficiently while preventing unauthorized personnel from freely adjusting settings.
- **Simple Installation** — RJ45 connection from controller to fan drive; 0–10 V output for light control.
- **Mounting** — Mounts to wall or standard outlet box.
- **Power Supply** — Powered by fan drive with preassembled cable.
- **Accessories** — Remote power supply kit.

Technical Specifications						
Ordering	Power Supply	Operating Temperature	Fan Controls	Light Controls	Communication Protocol	Display
Included with every Powerful X3.0 fan	Powered by fan drive	32° to 122° F (0° to 50° C)	On/Off Speed Fan Direction Control up to 8 fans (individually or as a group)	0–10 V Dimming	RJ45 connection between fan drive and controller	Resistive touchscreen 24-bit RGB interface LED backlight



Lead times may vary.
See fan warranty for coverage information.
Specifications subject to change without notice.



USA
BIGASSFANS.COM
877-244-3267

CANADA
BIGASSFANS.COM
844-924-4277

AUSTRALIA
BIGASSFANS.COM/AU
1-300-244-277

SINGAPORE
BIGASSFANS.COM/SG
+65 6709 8500