

BLACK JACK[®]

With an unrivaled balance of airflow and mobility, Black Jack belongs in every facility. Offering a fully assembled steel frame and 25-foot (7.6-meter) power cord that fits any standard outlet, it's the durable and convenient choice for your dynamic airflow needs. Best of all, Black Jack's powerful IPX5-rated motor runs quietly and efficiently, keeping your people comfortable without distraction.



KEY FEATURES

- ▶ **Six aluminum airfoils** with winglets in an OSHA-compliant cage
- ▶ **Powerful airflow** provides coverage up to 120 feet (37 meters) away
- ▶ **Quiet, efficient EC motor** with variable speed control
- ▶ **Perfectly sized** to fit through standard interior doorways
- ▶ **Maneuvers indoors or out** with durable rubber wheels and handles
- ▶ **Arrives pre-assembled** and ready for operation

DIAMETER

6.5 FEET
(2 METERS)

FRAME

OSHA-COMPLIANT STEEL CAGE
WITH ALL-TERRAIN RUBBER WHEELS

VOLTAGE

110-125 OR 200-240
SINGLE PHASE VAC

WARRANTY

UP TO
5 YEARS



BIG ASS FANS
EXCEPTIONALLY
ENGINEERED

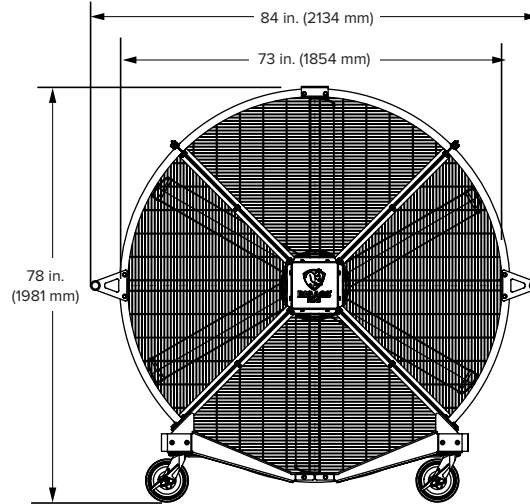
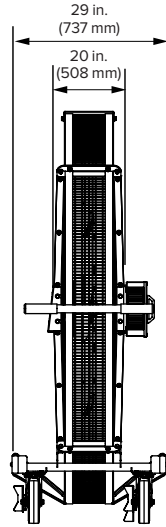
Distributed by



www.cisco-eagle.com
1-888-877-3865

BLACK JACK



POWERFUL AIRFLOW THAT'S A BREEZE TO MANEUVER.



Technical Specifications

Input power and required breaker	Amperage	Wattage	Operating Temperature	Sound at max speed ¹	Weight
110–125 VAC, 50/60 Hz, 1 Φ, 15 A	7.8–7.1 A	473 W	-4°F to 131°F (-20°C to 55°C)	78.2 dBA	310 lb (141 kg)
200–240 VAC, 50/60 Hz, 1 Φ, 10 A	5.6–4.6 A	466 W			

Construction Features

Cage and Frame	Motor and Controller	Power Supply	Environment ²	Certifications	Colors	Accessories
Preassembled 6.5 ft (2 m) steel frame OSHA-compliant cage All-terrain wheels with rubber treads	Direct drive ECM motor Variable speed control	25 ft (7.6 m) cord with plug fits standard power outlet Optional 10 ft (3 m) cord available	IPX5 for indoor or outdoor use Washdown construction	 UL Standard 507 and CSA Standard 22.2 No. 113 	Black Custom colors available	Protective cover



¹ Fans are sound tested at maximum speed in a laboratory environment. Actual results in field conditions may vary due to sound reflecting surfaces and environmental conditions.

² Not suitable for salt air environments. Do not leave fan outdoors for extended periods of time or in anticipation of inclement weather.

Lead times may vary. See full warranty for coverage information.

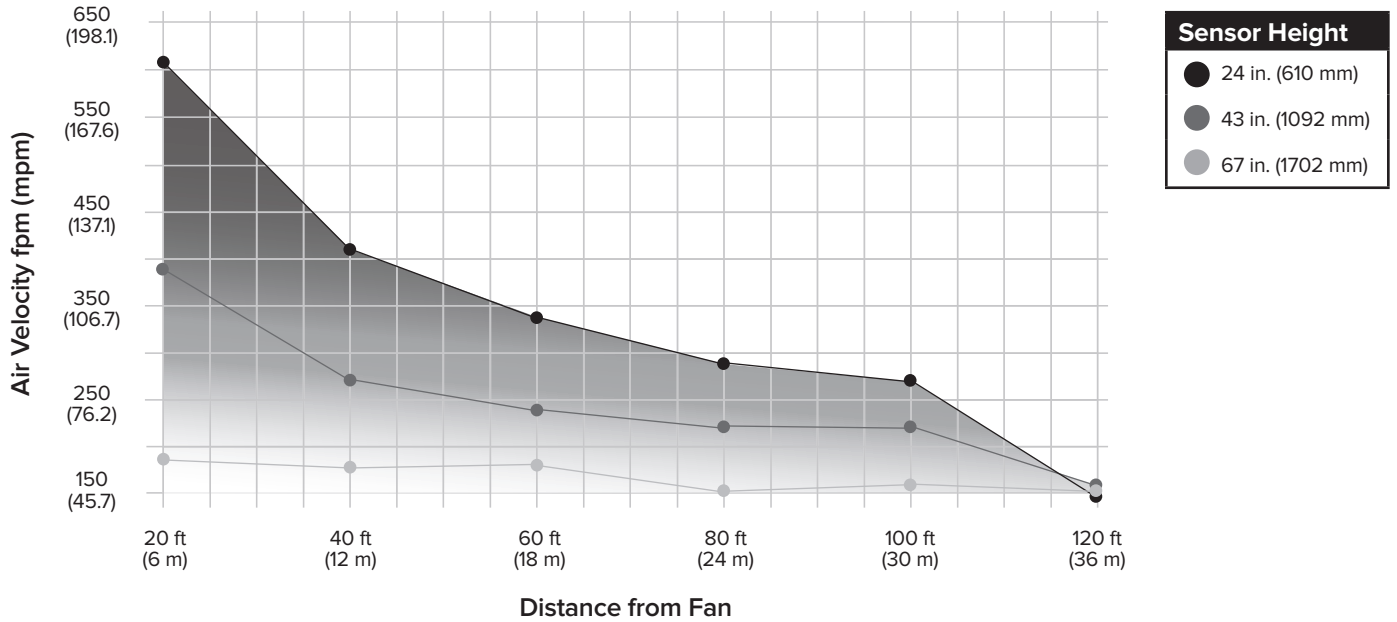
BLACK JACK



AIRFLOW

AIRFLOW VELOCITY

The three lines show air velocity from the center of the fan at three sensors of varying height.



AIRFLOW DISTANCE

Shaded areas represent cooling up to 120 feet (36.6 meters). That's one-third the length of a football field! Darker shading indicates faster air velocity.

