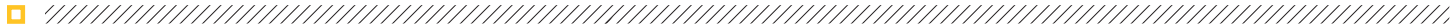


ShopFan

Technical Specifications



Lightweight and pre-wired for easy installation, ShopFan by Big Ass Fans® is an impressive and economical fan package for workshops, small manufacturing facilities, and industrial spaces. Easy installation, superb performance and year-round energy savings — just what you'd expect from Big Ass Fans.



EASY INSATLLATION FOR SMALLER SHOPS

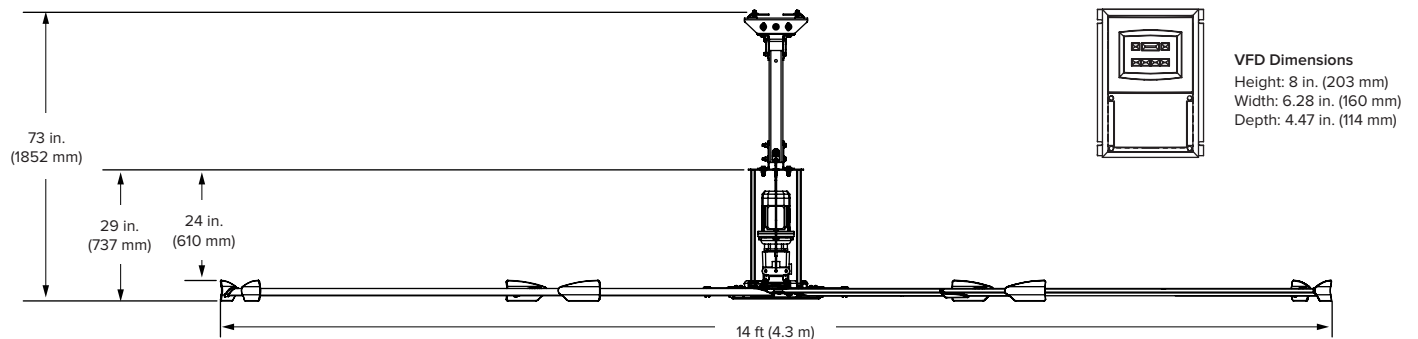
- **Convenient Installation** — Lightweight and pre-wired for easier, faster installation; plug and play in any 110–125 V, 20 A receptacle
- **Airfoils** — Six patented aluminum airfoils (mill finish)
- **Winglets** — Cuffed winglets eliminate wind noise (safety yellow)
- **Motor and Gearbox** — Industrial-grade motor and gearbox feature inline helical-cut gears for efficient, durable, and reliable operation; lubricated for life with synthetic oil
- **Hub System** — Machine-cut precision components for uniform load distribution
- **Controller** — NEMA 4X variable speed drive is pre-wired to the motor with a 50 ft (15.2 m) cord and includes a 10 ft (3 m) AC supply power cord
- **Mounting** — Standard mount with 36 in. (914 mm) extension tube install to I-beams and angle iron; optional kits allow for mounting to large I-beams, solid beams, Z-purlins, and pitched roofs
- **Safety Features** — Airfoil retainers, hub retainer clips, safety cables, Grade 8 bolts, fire relay (must be wired if required by local code)
- **Efficiency** — Moves more air than 70 standard ceiling fans at just a fraction of the operating cost



The unique aerodynamic design eliminates vortex formation at the airfoil tips.

Technical Specifications							
Diameter (A)	Weight ¹	Max speed	Airfoil clearances ²	Input power and required breaker	Max amps	Motor	Sound at max speed ³
14 ft (4.3 m)	145 lb (65.8 kg)	101 RPM	10 ft (3 m) above floor 2 ft (0.6 m) on sides 5 ft (1.5 m) below ceiling deck	100–125 VAC, 50/60 Hz, 1 Φ, 20 A	11 A	1.0 hp (0.75 kW)	< 55 dBA

¹ Weight does not include mount or extension tube.
² Measure the distance from the tip of the winglet to the ceiling or major obstruction.
³ Fans are sound tested at maximum speed in a laboratory environment. Actual results in field conditions may vary due to sound reflecting surfaces and environmental conditions.



Certified to UL 507 and CSA C22.2

Lead times may vary.
 See full warranty for coverage information.
 Specifications subject to change without notice.



USA
 BIGASSFANS.COM
 877-244-3267

CANADA
 BIGASSFANS.COM
 844-924-4277

AUSTRALIA
 BIGASSFANS.COM/AU
 1300 244 277

SINGAPORE
 BIGASSFANS.COM/SG
 65 6709 8500

MALAYSIA
 BIGASSFANS.COM/SG
 603 5565 0888