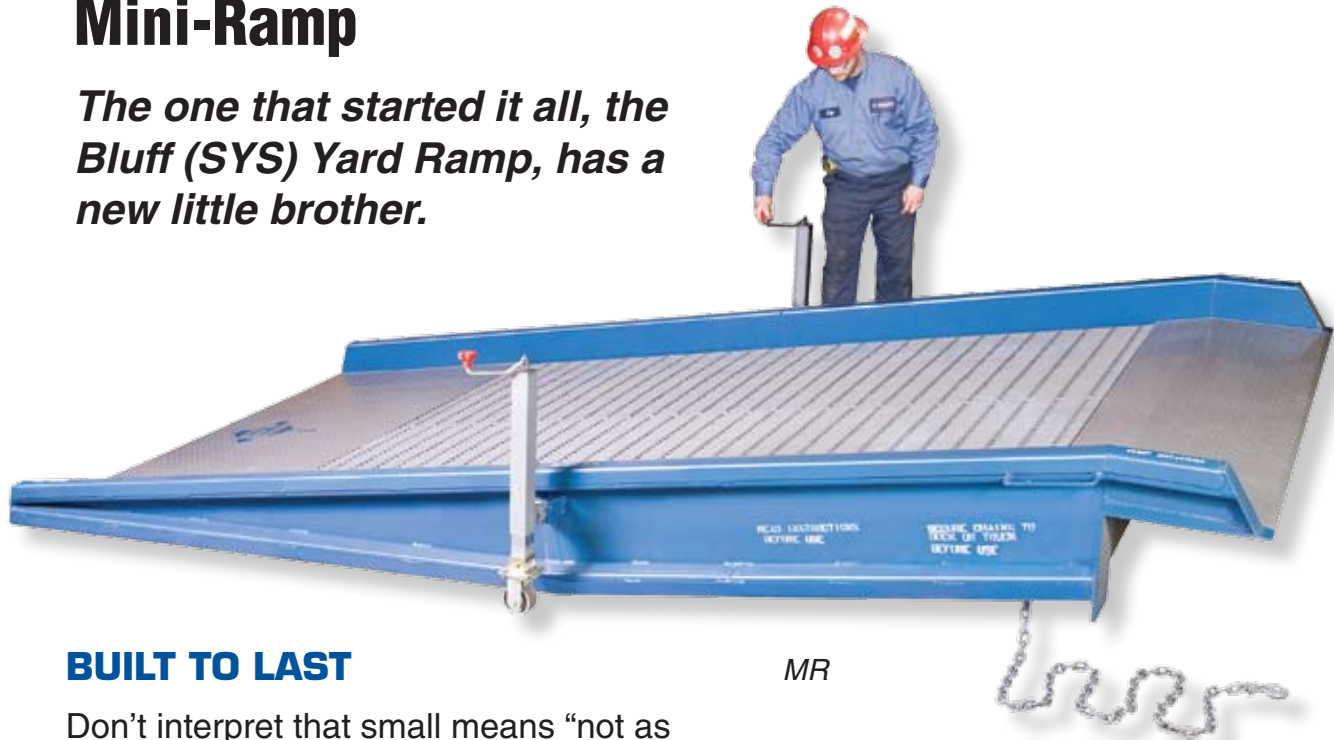




**BLUFF**  
MANUFACTURING, INC.

## Mini-Ramp

*The one that started it all, the Bluff (SYS) Yard Ramp, has a new little brother.*



### **BUILT TO LAST**

Don't interpret that small means "not as tough." There are a world of applications that have a target height that is one-half or less of normal dock height. Mini-Ramp will service heights from 16" to 33".

With the optional mobility package the Mini does not need the hydraulic actuated undercarriage to move it to the work. Two screw jacks with rigid steel casters are mounted at the balance point and a couple of people can move it on a hard surface. Floor plate approach both top and bottom ensure a long life on the grating whether you are using manual equipment or forklift trucks.

MR

Capacities start at 12,000 lb. and go up from there. Widths of 70" and 84" and lengths at 15'.

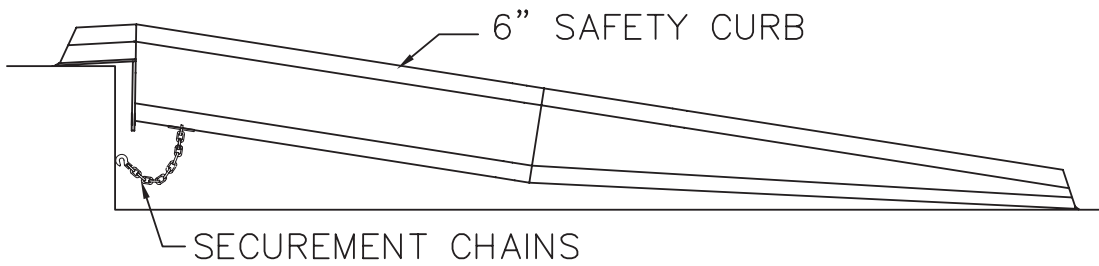
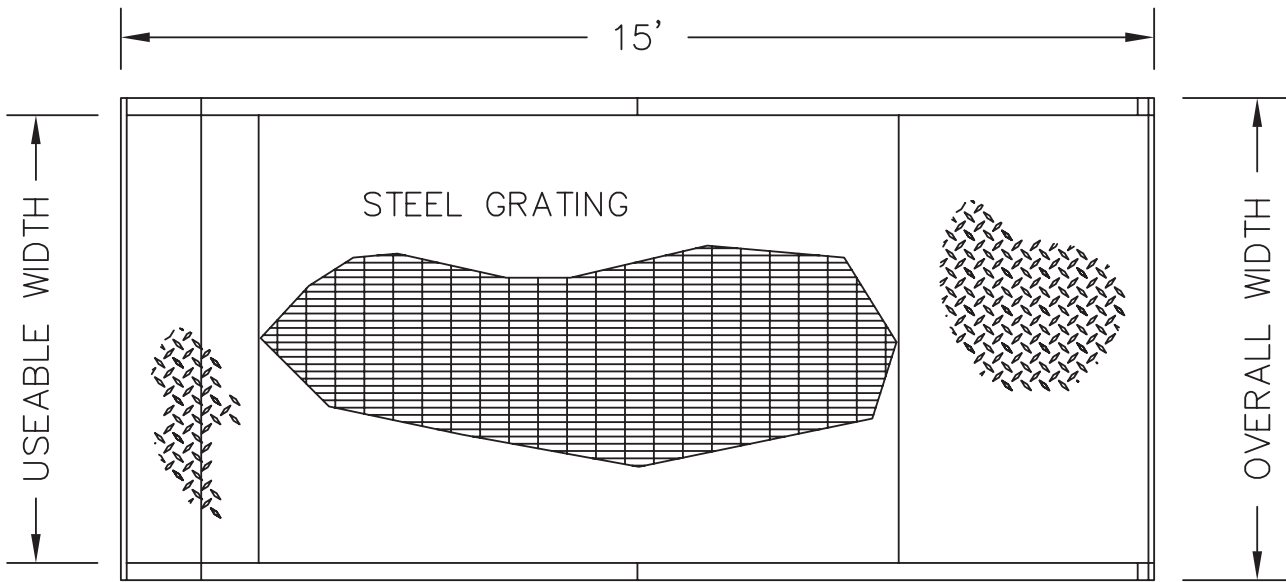
Call for special sizes and capacities.

- **RUGGED**
- **EASY INSTALLATION**
- **SAFETY**
- **ECONOMICAL**

### **SERVICE YOU CAN STAND ON**

(800) 433-2212 • [www.bluffmanufacturing.com](http://www.bluffmanufacturing.com) • Fax 817-293-7570  
1400 Everman Parkway • Suite 156 • Fort Worth, TX 76140

STEEL MINI RAMP  
MODEL MR



12MR8415

— LENGTH  
— WIDTH (USEABLE IS 6" LESS)  
— MODEL  
— CAPACITY

LIP HEIGHT	% GRADE
18"	11
24"	14
28"	17
32"	19

OPTIONAL EQUIPMENT
MRSJ— CASTER SCREW JACK
YRACB— CHAIN BRACKETS

FOR INFORMATION ON OTHER MODELS, CONTACT BLUFF CUSTOMER SERVICE.