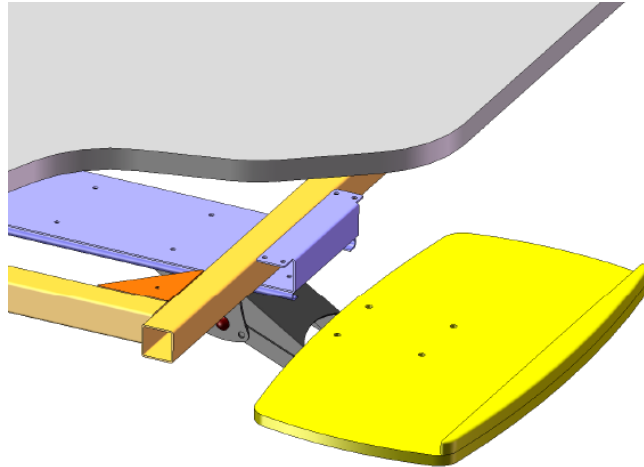
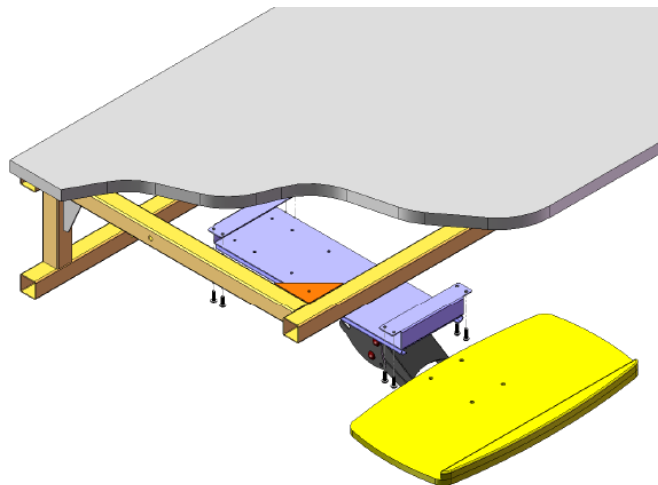


The under work surface keyboard tray is mounted by positioning the inside face of the mounting bracket flange tight to the front face of the front deck tube (See *fig - 1*). Once the mounting bracket is in position, secure it to the underside of the work surface using the #12 - 3/4" Phillips Wood Screws provided (See *fig - 2*).

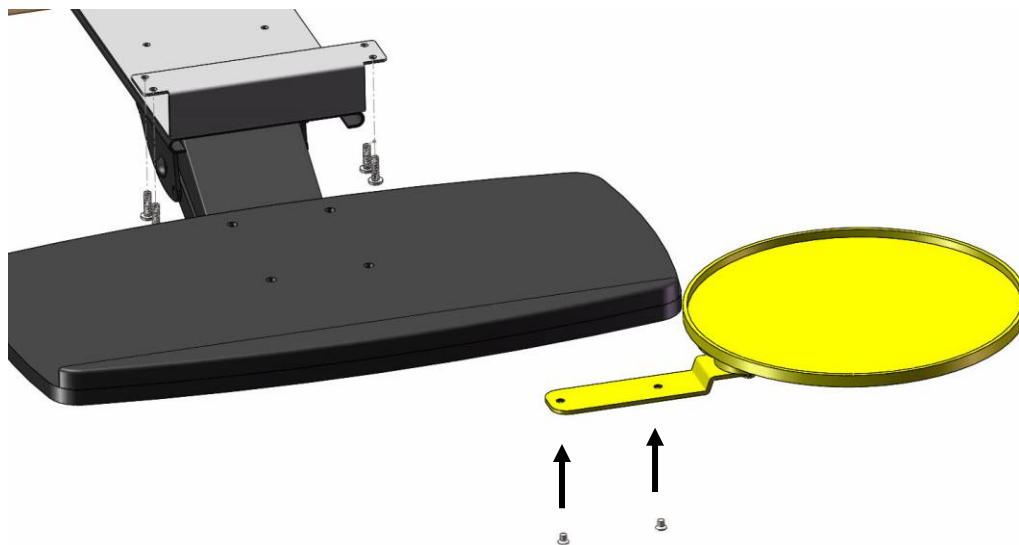


*fig - 1*



*fig - 2*

If you have the UWKTM or UWMP models you will follow the same keyboard assembly shown on page #1 to get the keyboard mounted to your table. The mouse pad mounts to the underside of the keyboard tray on either the left or right side. Using the two provided screws attach the mouse pad arm to the keyboard in the existing holes and tighten securely (see *Fig-3*). Lay the mouse soft pad with wrist support on the mouse tray.



*Fig-3*