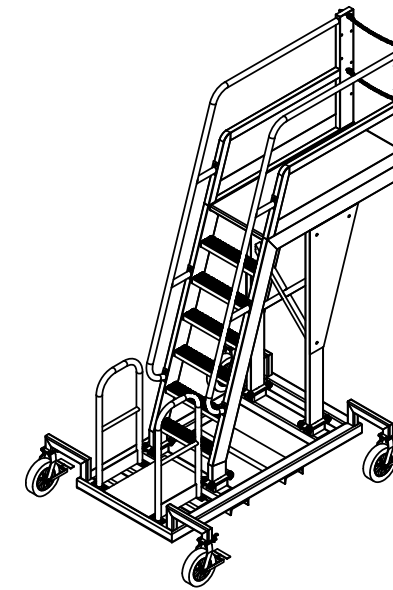
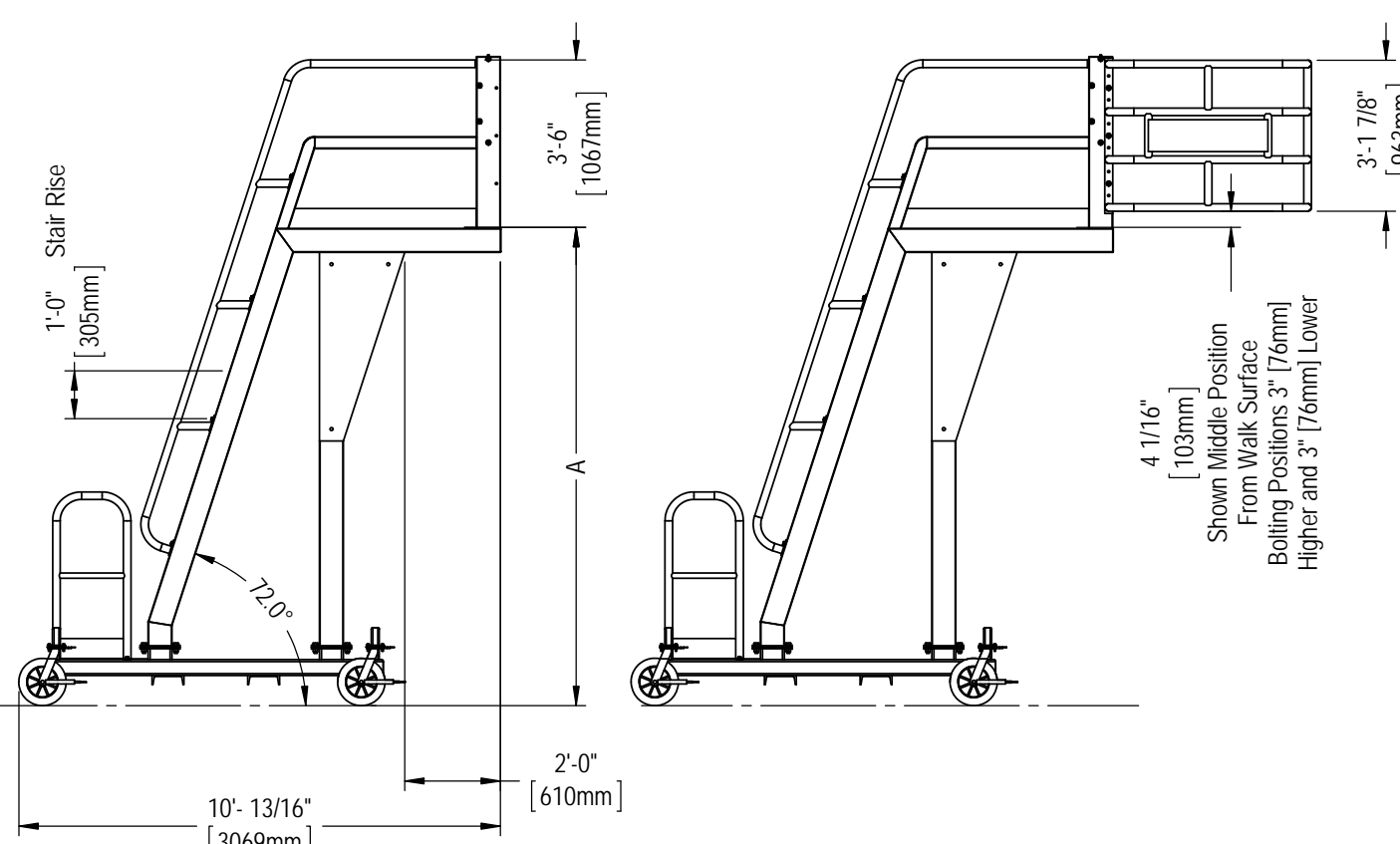
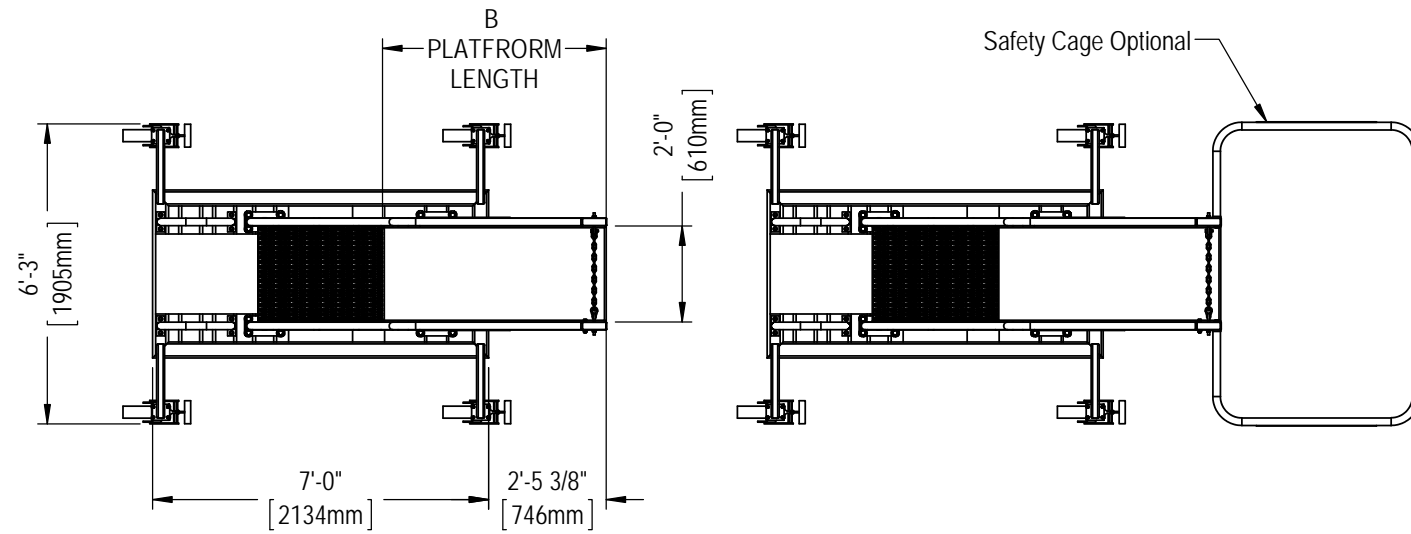
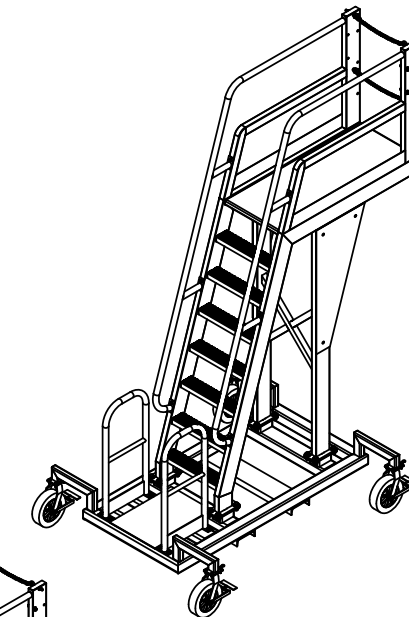


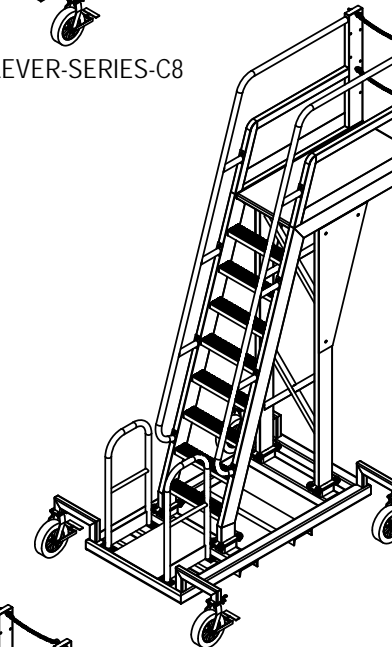
SERIES NAME	A	B
RS-CANTILEVER-SERIES-C8	8 FT (2438 mm)	5'-3 11/16" (1618 mm)
RS-CANTILEVER-SERIES-C9	9 FT (2743 mm)	4'-11 13/16" (1519 mm)
RS-CANTILEVER-SERIES-C10	10 FT (3048 mm)	4'-7 7/8" (1420 mm)
RS-CANTILEVER-SERIES-C11	11 FT (3353 mm)	4'-4" (1321 mm)
RS-CANTILEVER-SERIES-C12	12 FT (3658 mm)	4'-1/8" (1222 mm)



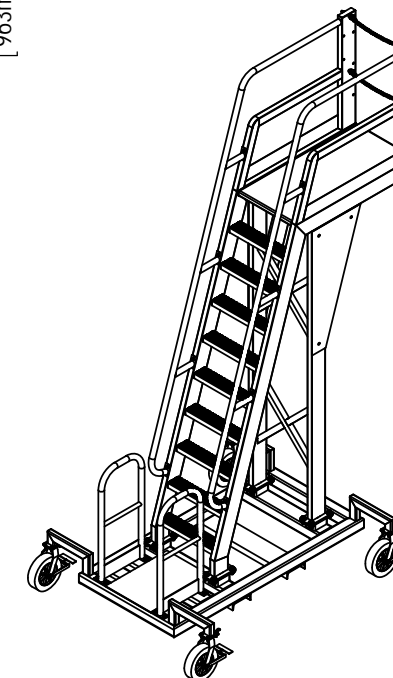
RS-CANTILEVER-SERIES-C8



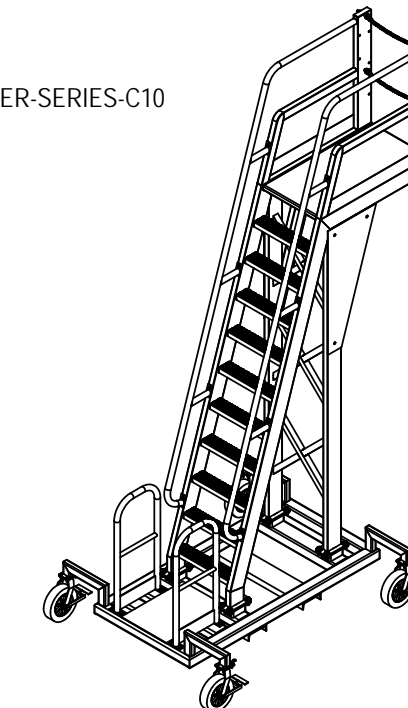
RS-CANTILEVER-SERIES-C9



RS-CANTILEVER-SERIES-C10



RS-CANTILEVER-SERIES-C11



RS-CANTILEVER-SERIES-C12

ROLLASTEP WELDING STANDARDS		SEAL WELD UNLESS OTHERWISE NOTED		USE FILETS LISTED BELOW UNLESS OTHERWISE NOTED	
Material Thickness of Throat Per Joint (mm)	Minimum Fillet Size (mm)	Material Thickness of Throat Per Joint (mm)	Minimum Fillet Size (mm)	Material Thickness of Throat Per Joint (mm)	Minimum Fillet Size (mm)
1/4" (6)	1/4" (6)	1/4" (6) to 1/2" (13)	3/16" (5)	1/2" (13) to 3/4" (19)	1/4" (6)
3/8" (10)	3/8" (10)	3/8" (10) to 1" (25)	1/2" (13)	1" (25) and higher	3/8" (10)

BATCH	DATE	REV	DESCRIPTION
2	3/8/12	2	UPDATED WELD SPECS FOR ENGLISH/METRIC DIMENSIONS
1	2/23/12	1	SPEC SHEET CREATED (ENGLISH/METRIC)

ROLLASTEP SERIES SPEC SHEET	DATE	DATE	DATE	DATE	DATE
RS-CANTILEVER SERIES SPEC SHEET	1/3/12	1/3/12	1/3/12	1/3/12	1/3/12

PRIME:	MODELED BY:	DRAWN BY:	CHECKED BY:	PROGRAMMED BY:	PROGRAMMED/CHECKED BY:
TK	TK	TK	TK	TK	TK

FINISH	SHEET SCALE	SHEET
	1:48	1

CUSTOMER	JOB #	ABAS #
RS-CANTILEVER SERIES SPEC SHEET		

ROLLASTEP	
RS-CANTILEVER SERIES SPEC SHEET	

ALL INFORMATION CONTAINED HEREIN IS CONFIDENTIAL & PROPRIETARY AND MAY NOT BE DISCLOSED IN ANY FORM WITHOUT THE WRITTEN CONSENT OF ROLLASTEP
--