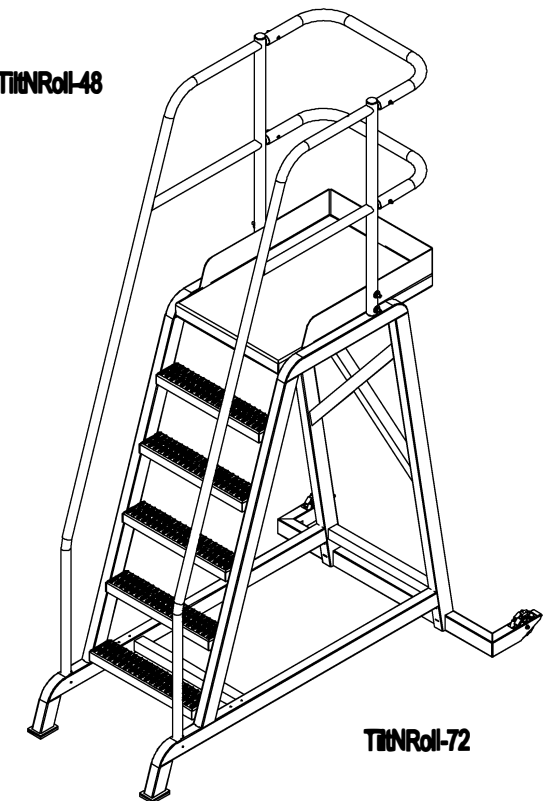
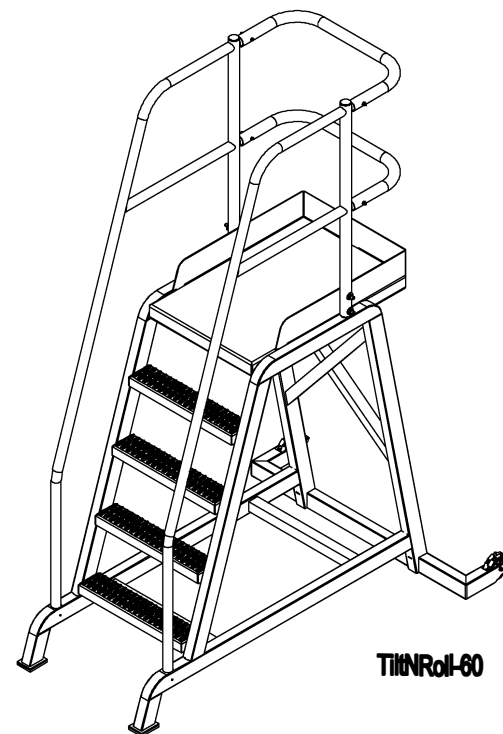
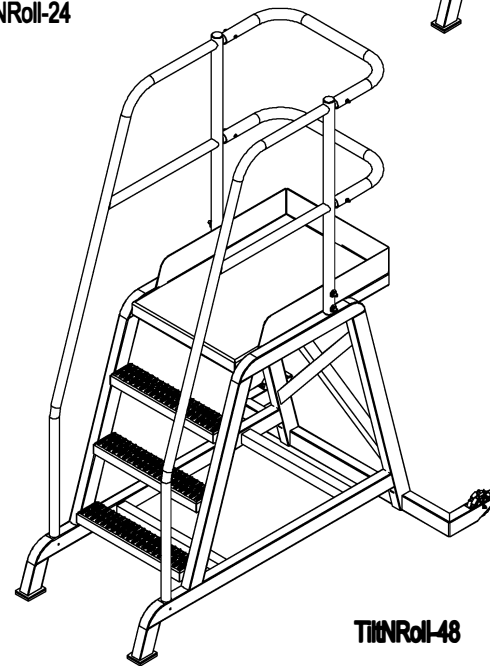
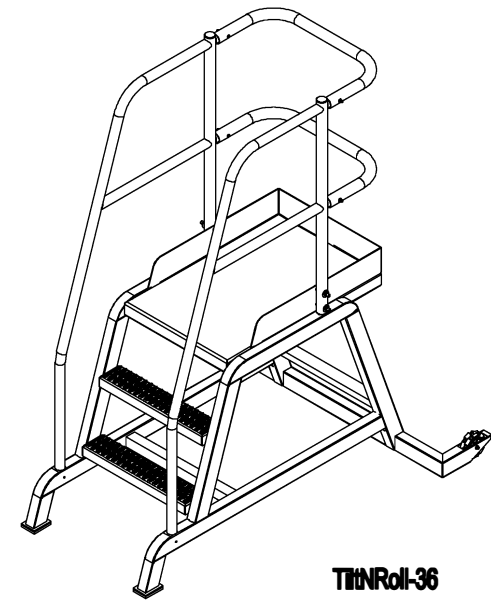
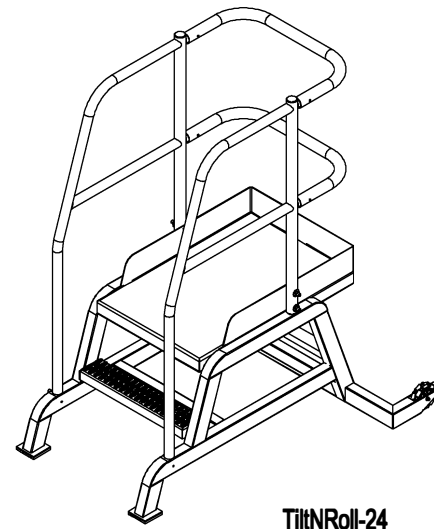
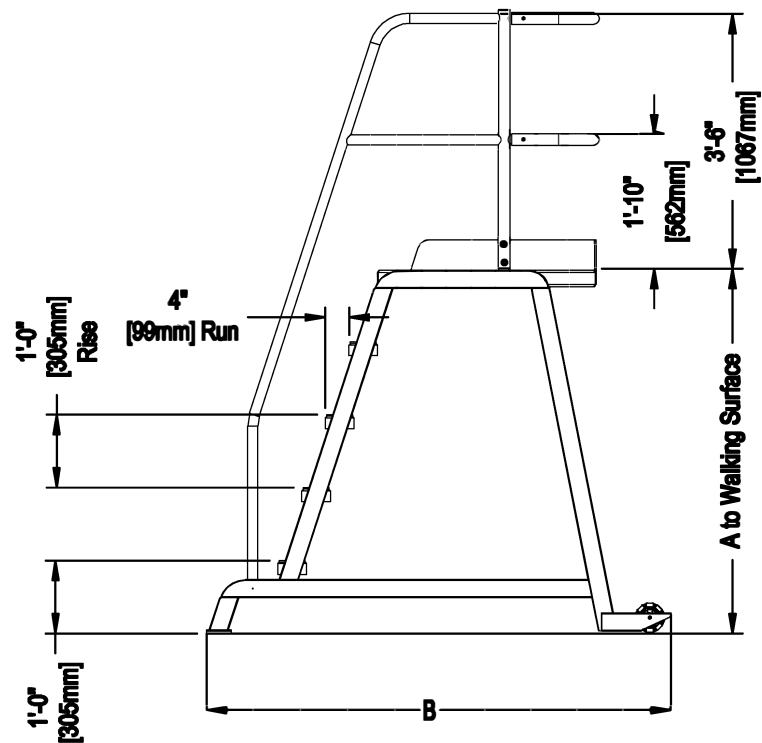
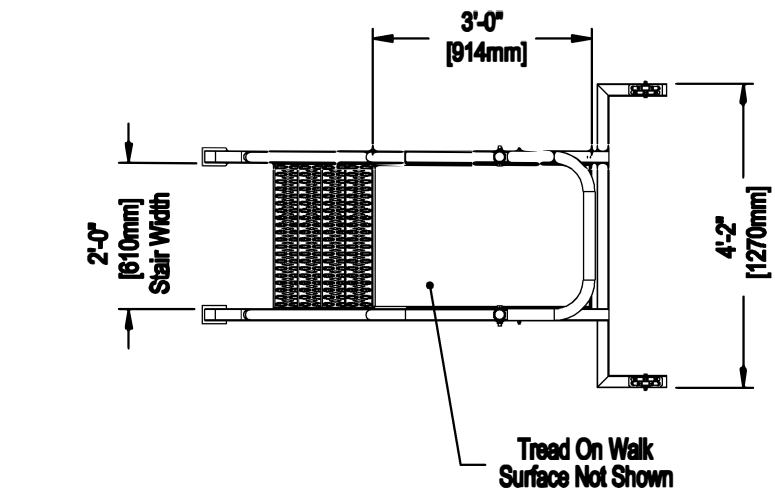
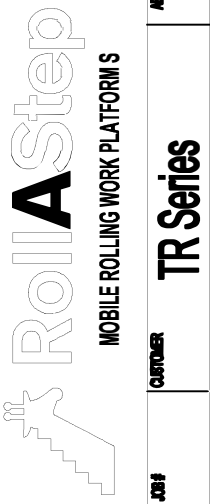


	A	B
TiltNRoll-24	24" [610mm]	66 <sup>1</sup> / <sub>16</sub> " [1678mm]
TiltNRoll-36	36" [914mm]	70" [1778mm]
TiltNRoll-48	48" [1219mm]	72 <sup>15</sup> / <sub>16</sub> " [1853mm]
TiltNRoll-60	60" [1524mm]	76 <sup>9</sup> / <sub>16</sub> " [1940mm]
TiltNRoll-72	72" [1829mm]	80 <sup>1</sup> / <sub>16</sub> " [2034mm]



ALL INFORMATION CONTAINED HEREIN IS CONFIDENTIAL AND PROPRIETARY AND SHALL NOT BE DISCLOSED IN ANY FORM OR BY ANY MEANS WITHOUT THE WRITTEN CONSENT OF ROLL A STEP.

TiltNRoll-Spec Sheet	
DATE:	8/17/11
REVISION:	TK
DATE:	8/17/11
REVISION:	TK
DATE:	8/17/11
REVISION:	TK
DATE:	
REVISION:	
DATE:	
REVISION:	
DATE:	
REVISION:	
DATE:	
REVISION:	
DATE:	
REVISION:	



ROLL A STEP WELDING STANDARDS

ERW WELD UNLESS OTHERWISE NOTED

USE FILLER UNLESS OTHERWISE NOTED

WELD TYPE	WELD SIZE	WELD TYPE	WELD SIZE
ERW	1/8"	ERW	1/8"
ERW	3/16"	ERW	3/16"
ERW	1/4"	ERW	1/4"
ERW	5/16"	ERW	5/16"
ERW	3/8"	ERW	3/8"
ERW	1/2"	ERW	1/2"

NO.	REV.	DATE	DESCRIPTION
1	1	11-11-11	ISSUED FOR PRODUCTION
2			
3			
4			
5			