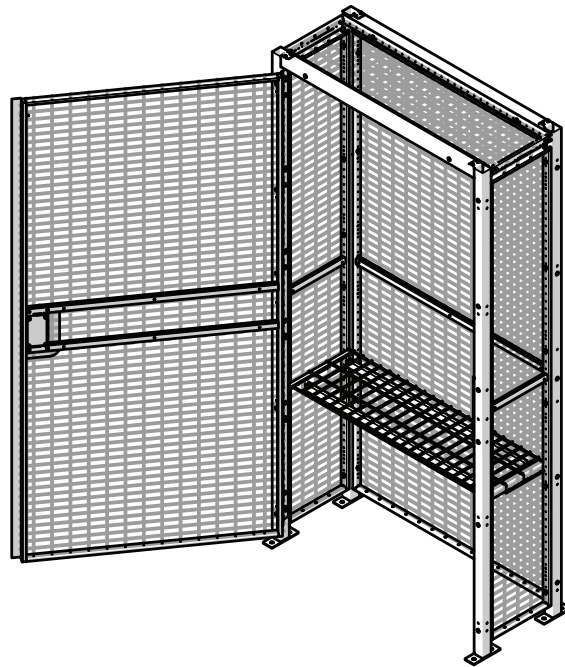


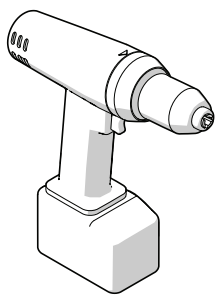
Providing Reliable Engineered Solutions

TABLE OF CONTENTS:

PAGE 1 | COVER, TOOLS REQ'D
SPECIFICATIONS
HARDWARE PROVIDED
PAGE 2 | PARTS
ASSEMBLY INSTRUCTIONS



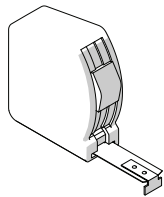
TOOLS REQUIRED:



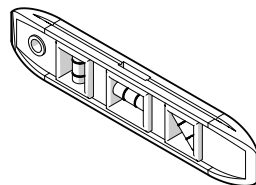
BATTERY DRILL
(ONLY REQUIRED FOR
LOCKER TOP)



5/16"
[8mm]



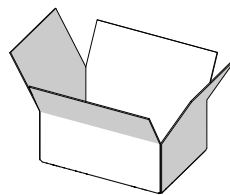
MEASURING TAPE



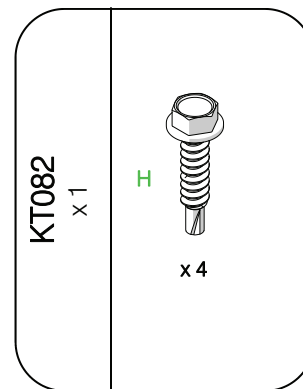
LEVEL

HARDWARE PROVIDED: KT082

HARDWARE KIT:

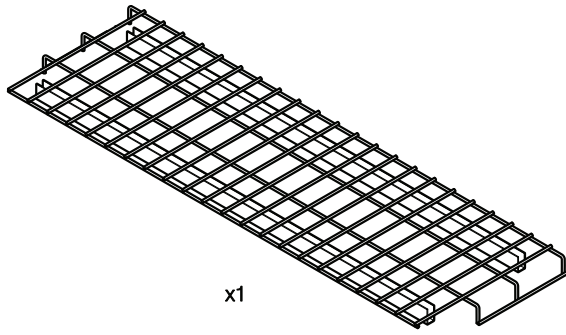


x1



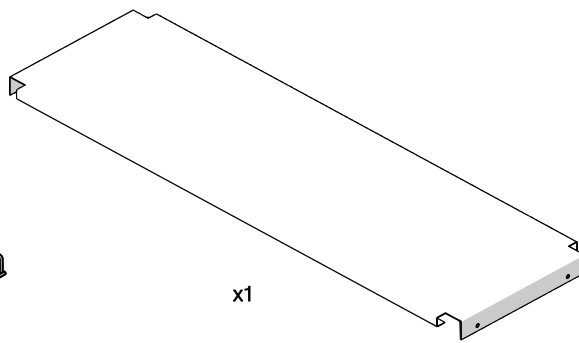
PARTS LIST:

WIRE SHELF:



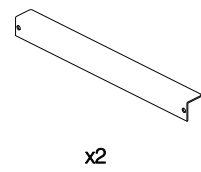
SIZE MATCHES DEPTH OF LOCKER: LPC-WS-18
LPC-WS-30
LPC-WS-40

SHEET METAL SHELF:

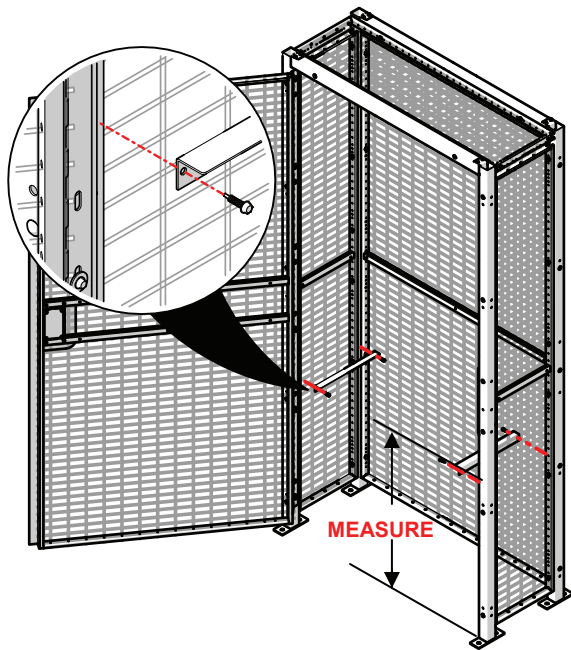


SIZE MATCHES DEPTH OF LOCKER: LPC-SS-18
LPC-SS-30
LPC-SS-40

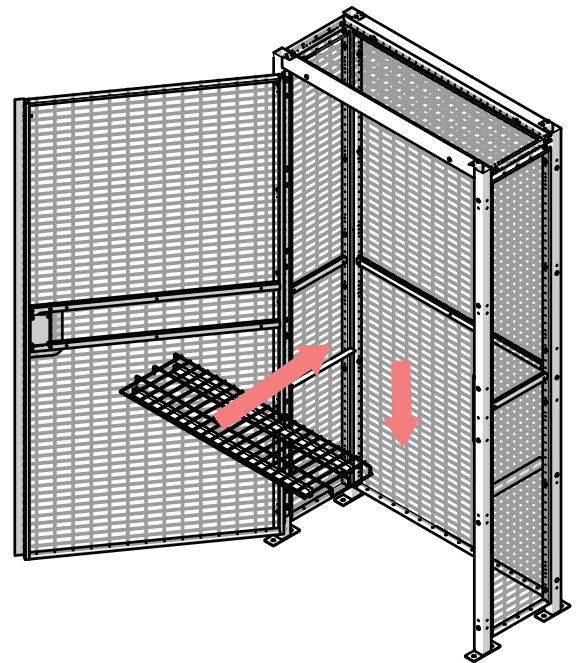
SHELF BRACKET:



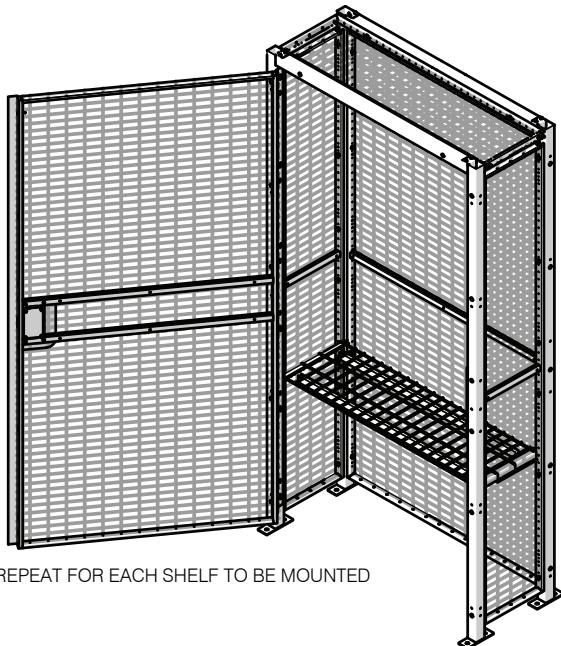
1



2



3



REPEAT FOR EACH SHELF TO BE MOUNTED