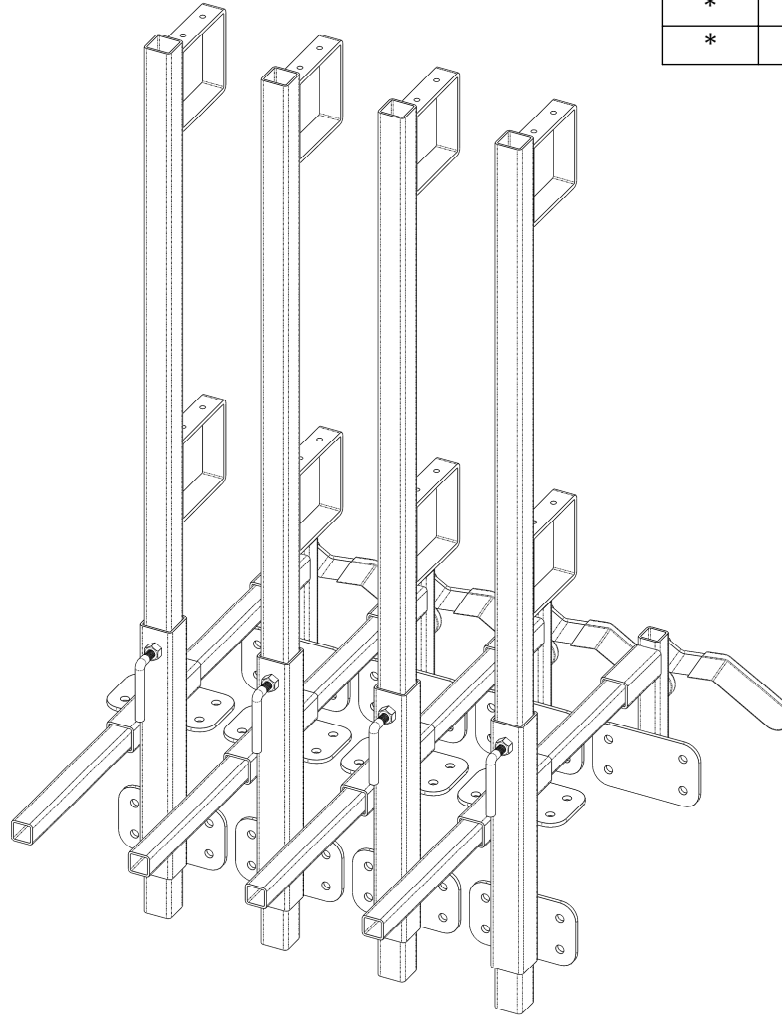


ITEM	PART NO.	DESCRIPTION	QTY.
1	301281	PERIMETER CLAMP	4
*	161512	MANUAL-PERIMETER CLAMP	1
*	161516	CHECKLIST-PERIMETER CLAMP	1
*		BOX 42" X 11" X 6" / 200LB TEST	1



REVISION BLOCK			MAT'L DESC.	GARLOCK EQUIPMENT CO. <small>REV 2014</small>
L	DESCRIPTION OF REVISION	DATE /#	DWN.	
				PERIMETER CLAMP - BOXED SET OF 4
			MAT'L NO. PART WGT. 61.01 DWN. RJO DATE 2/25/2014	THIS DOCUMENT CONTAINS CONFIDENTIAL PROPRIETARY INFORMATION OF GARLOCK EQUIPMENT CO. AND IS NOT TO BE DISCLOSED TO OTHERS
			SIZE A SCALE 1:8	TOL. U.O.S. 0.00 ±0.03 0.000 ±0.005 ANGLE ±0.50°