

DURA-TECH[®] BY

Hallowell[®]
DIV. LIST INDUSTRIES INC.

DURA-TECH SHELVING INSTRUCTION SHEET

CAUTION

IT IS THE RESPONSIBILITY OF THE PERSON ASSEMBLING THE SHELVING TO PROPERLY INSTALL ALL COMPONENTS AND HARDWARE AS SPECIFIED IN THESE INSTRUCTIONS AND ANY ACCOMPANYING DRAWINGS FOR SPECIFIC INSTALLATION.

- INSTALL ALL UNITS PLUMB
- TIGHTEN ALL HARDWARE SECURELY

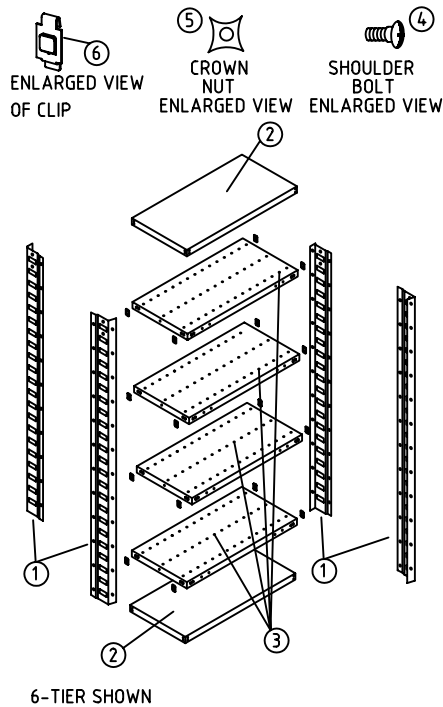
GENERAL INSTRUCTIONS

1. These instructions are for the person who will actually supervise the assembly of the equipment covered by your order. -- Please see that they get them --
2. Check material received against the packing list. First check the number of packages received and then check the contents of each package.
3. Check material received for damage. If damaged, secure a "damage notation" from the carrier.
4. Identify each part as it is unpacked and pile like parts together and as close as possible to the working area in which they are to be assembled.
5. Lay out on the floor the space that each rack of shelving is to occupy and build each rack in its proper location.
6. Be careful to use the correct hardware as specified in the assembly instructions.
7. Make sure units are plumb before tightening bolts.

2732 W Orange Blossom Trail, Plymouth, FL 32768
Phone: (866) 566-0500 Fax: (407) 464-3610
www.Hallowell-List.com

PACKAGE CONTENTS

REF. NO.	DESCRIPTION	PART NO.	QUANTITY		
			5 TIER	7 TIER	8 TIER
①	ANGLE BACK POST	5004-hh	4	4	4
②	DURA-TECH SHELF	DTSwwdd	2	2	2
x ③	HEAVY-DUTY BOX SHELF	5138-wddd	3	5	6
④	1/4" x .58 L. SHOULDER BOLT	SB1420	32	32	32
⑤	1/4 x 20 P.M. CROWN NUT	SB1420N	32	32	32
x ⑥	SHELF CLIPS	5133	12	20	24



PART NO. LEGEND:

ww = WIDTH
dd = DEPTH
hh = HEIGHT

HALLOWELL MAKES EVERY EFFORT TO ENSURE THAT ALL UNITS SHIP COMPLETE; HOWEVER, SHOULD YOUR UNIT CONTAIN MISSING OR DAMAGED PARTS, REPLACEMENTS MAY BE OBTAINED FROM HALLOWELL. TO OBTAIN PARTS, FOLLOW THESE INSTRUCTIONS.

PLEASE PROVIDE THE FOLLOW INFORMATION:

MODEL NUMBER

DESCRIPTION OF PART(S) NEEDED & PART NUMBER(S) AS SHOWN IN PARTS LIST

PURCHASE DATE

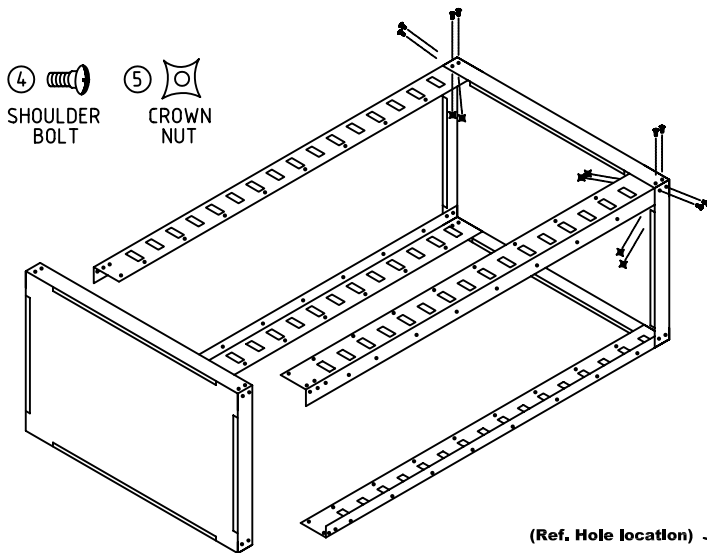
COMPANY NAME & CONTACT PERSON WHERE THE PRODUCT WAS PURCHASED FROM

IF REQUESTING PARTS BY TELEPHONE, ASK FOR CUSTOMER SERVICE & PROVIDE THE ABOVE INFORMATION.

ONE-YEAR WARRANTY

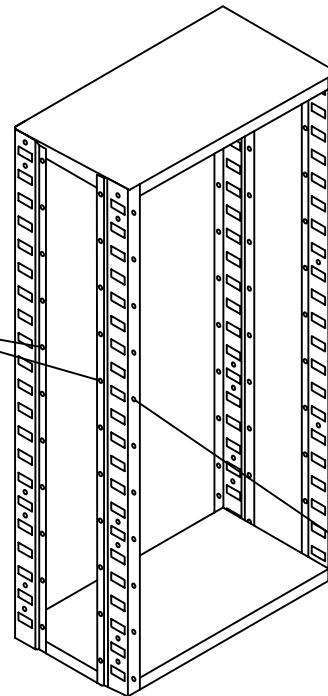
HALLOWELL SHELVING IS WARRANTED AGAINST ALL DEFECTS IN MATERIALS AND WORKMANSHIP EXCLUDING FINISH, DAMAGE RESULTING FROM DELIBERATE DESTRUCTION AND VANDALISM FOR A PERIOD OF ONE YEAR.

DURA-TECH SHELVING ASSEMBLY INSTRUCTIONS



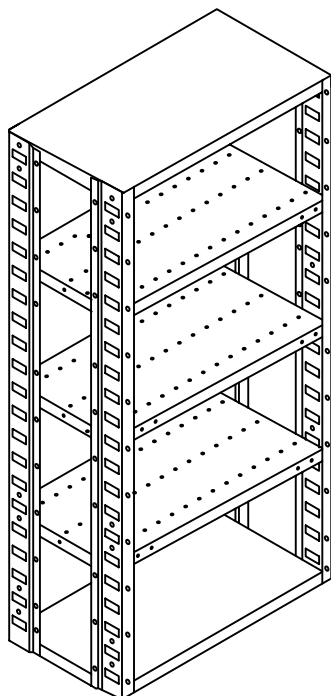
- 1. Bolt Dura-Tech top and bottom shelf (2) to angle posts. Use only the 1/4" X .58 long shoulder bolts (4) and crown nuts (5) for installation of top and bottom, 16 shoulder bolts and crown nuts are required for each top and bottom, 32 total required.**

(Ref. Hole location)
Bolt Thru for Side
to Side Units



(Ref. Hole location)
Bolt Thru for Back
to Back Units

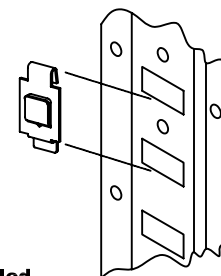
- 2. Stand unit up. Dura-Tech frames DO NOT require any bracing. Use a large handled screwdriver to tighten bolts for maximum tightness.**



SHOWN FULLY ASSEMBLED.

ENLARGED VIEW SHOWING SHELF CLIP (6)

- 3. Install four clips (6) at desired shelf height. Place each shelf on the clips and tap down to seat using a rubber mallet.**
- 4. It is suggested that all of the units be assembled, then layout the entire stockroom prior to installing all of the shelves.**





2732 W Orange Blossom Trail, Plymouth, FL 32768
Phone: (866) 566-0500 Fax: (407) 464-3610
www.Hallowell-List.com