

TCR Air Powered Hoists with Pendant and Cord Controls and Hook Suspension

Harrington's TCR Series air hoists offer the benefit of lifting heavier loads while maintaining low headroom and a continuous duty cycle. These hoists are best suited for use in foundries, assembly lines, construction sites and many other demanding applications.

Features and Benefits

- Unlimited Duty Cycle**
For continuous operation
- Spring-Loaded Multi-Vane Motor Design**
Permits very fine feathering control
- High Strength Cast Iron Housing**
Proven weather resistant and durable in harsh environments
- Airtight Hoist**
Results in efficient use of air
- Comfortable Noise Levels**
External muffler reduces noise level to 80dBA @ 1 yd. with no load
- Heavy Duty Self-Adjusting Brake**
For precise braking action
- Standard Upper & Lower Limit Stops**
Prevents over-travel of hook in either direction
- Built-in Load Limiter**
Pre-set to stop lifting when load is over rated capacity
Adjustable
- Wear Resistant Load Chain**
Grade 80, case-hardened for superior strength

Standard Hoist Specifications

- Capacity Range**
1/4 – 6 Ton
(see page 24 for 10 – 25 Ton)
- Standard Lift**
10'
(longer lifts available)
- Standard Pendant or Cord Length**
4' less than lift
(longer lengths available)
- Air Supply Requirement**
48 – 90 cfm at 60 – 90 psi
- Air Lubrication**
Minimum 10 to 15 drops of oil per minute (0.2 – 0.3 cc/min.)
- Air Filtration**
Maximum 5 micron air filter or finer required
- Air Inlet Port**
1/2" NPT
- Air Supply Hose Minimum Size**
1/4 – 2 Tons — 1/2"
3 – 6 Tons — 3/4"
- Operating Conditions**
Temperature range +14° to 140°F
Humidity 85% or less
- Chain Containers**
Optional
Canvas or Steel



TCR100P



TCR100C2

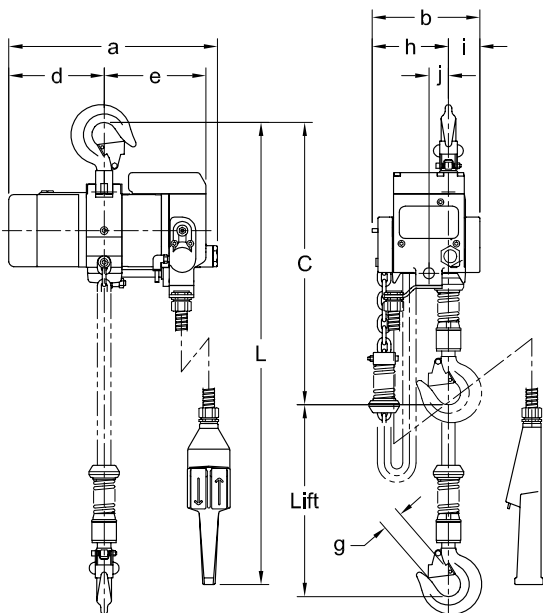
TCR Air Powered Hoists with Pendant and Cord Controls and Hook Suspension

PENDANT MODEL—SPECIFICATIONS

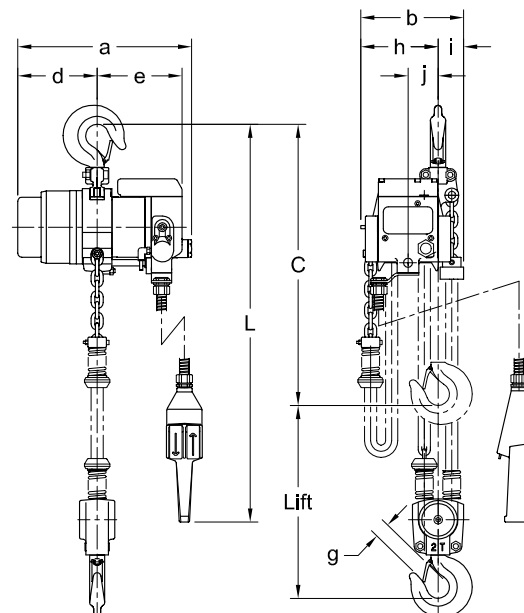
Cap. (Tons)	Product Code	Standard Lift (ft)	Push Button Hose L (ft)	Up/Down Speeds (ft/min @ 90 psi)		Up/Down Air Consumption Rates (cubic ft/min @ 90 psi)		Load Chain Diameter (mm) x Chain Fall Lines	Net Weight (lbs)	Weight for Additional One Foot of Lift (lbs)
				No Load	Full Load	No Load	Full Load			
1/4	TCR250P	10	7.5	68 / 44	52 / 51	63 / 49	48 / 57	6.3 x 1	68	0.6
1/2	TCR500P		7.5	68 / 44	37 / 57	63 / 49	48 / 57	6.3 x 1	68	0.6
1	TCR1000P2		7.5	34 / 22	19 / 29	63 / 49	48 / 57	6.3 x 2	78	1.2
1	TCR1000P		7.5	37 / 22	21 / 33	62 / 53	53 / 60	7.1 x 1	77	0.8
2	TCR2000P2		7.5	19 / 11	11 / 16	62 / 53	53 / 60	7.1 x 2	88	1.5
3	TCR3000P		8.0	18 / 11	10 / 15	90 / 65	71 / 74	11.2 x 1	152	2.0
6	TCR6000P2		8.0	9 / 5	5 / 7	90 / 65	71 / 74	11.2 x 2	198	4.0

PENDANT MODEL—DIMENSIONS

Cap. (Tons)	Product Code	Headroom C (in)	a (in)	b (in)	d (in)	e (in)	g (in)	h (in)	i (in)	j (in)
1/4	TCR250P	18.2	13.5	6.9	6.1	6.6	1.2	4.9	2.0	1.3
1/2	TCR500P	18.2	13.5	6.9	6.1	6.6	1.2	4.9	2.0	1.3
1	TCR1000P2	20.4	13.5	7.7	6.1	6.6	1.2	5.9	1.9	2.2
1	TCR1000P	18.3	13.5	6.9	6.1	6.6	1.2	4.9	2.0	1.3
2	TCR2000P2	21.8	13.5	8.0	6.1	6.6	1.2	6.0	2.0	2.3
3	TCR3000P	22.2	17.7	8.9	8.0	9.0	1.3	1.9	6.9	1.7
6	TCR6000P2	26.5	17.7	11.1	8.0	9.0	1.7	2.5	8.7	3.4



TCR500P
Single Fall Pendant Model



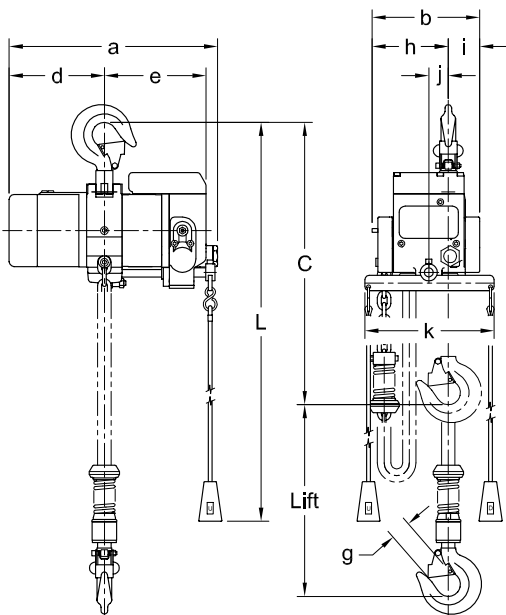
TCR2000P2
Double Fall Pendant Model

CORD MODEL—SPECIFICATIONS

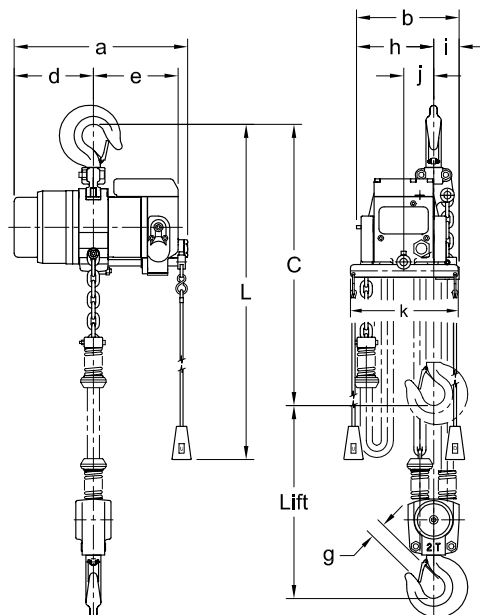
Cap. (Tons)	Product Code	Standard Lift (ft)	Cord L (ft)	Up/Down Speeds (ft/min @ 90 psi)		Up/Down Air Consumption Rates (cubic ft/min @ 90 psi)		Load Chain Diameter (mm) x Chain Fall Lines	Net Weight (lbs)	Weight for Additional One Foot of Lift (lbs)
				No Load	Full Load	No Load	Full Load			
1/4	TCR250C	10	7.5	68 / 44	52 / 51	63 / 49	48 / 57	6.3 x 1	66	0.6
1/2	TCR500C		7.5	68 / 44	37 / 57	63 / 49	48 / 57	6.3 x 1	66	0.6
1	TCR1000C2		7.5	34 / 22	19 / 29	63 / 49	48 / 57	6.3 x 2	76	1.2
1	TCR1000C		7.5	37 / 22	21 / 33	62 / 53	53 / 60	7.1 x 1	75	0.8
2	TCR2000C2		7.5	19 / 11	11 / 16	62 / 53	53 / 60	7.1 x 2	86	1.5
3	TCR3000C		8.0	18 / 11	10 / 15	90 / 65	71 / 74	11.2 x 1	150	2.0
6	TCR6000C2		8.0	9 / 5	5 / 7	90 / 65	71 / 74	11.2 x 2	196	4.0

CORD MODEL—DIMENSIONS

Cap. (Tons)	Product Code	Headroom C (in)	a (in)	b (in)	d (in)	e (in)	g (in)	h (in)	i (in)	j (in)	k (in)
1/4	TCR250C	18.2	13.5	6.9	6.1	6.6	1.2	4.9	2.0	1.3	8.3
1/2	TCR500C	18.2	13.5	6.9	6.1	6.6	1.2	4.9	2.0	1.3	8.3
1	TCR1000C2	20.4	13.5	7.7	6.1	6.6	1.2	5.9	1.9	2.2	8.3
1	TCR1000C	18.3	13.5	6.9	6.1	6.6	1.2	4.9	2.0	1.3	8.3
2	TCR2000C2	21.8	13.5	8.0	6.1	6.6	1.2	6.0	2.0	2.3	8.3
3	TCR3000C	22.2	17.7	8.9	8.0	9.0	1.3	1.9	6.9	1.7	8.3
6	TCR6000C2	26.5	17.7	11.1	8.0	9.0	1.7	2.5	8.7	3.4	8.3



TCR500C
Single Fall Cord Model



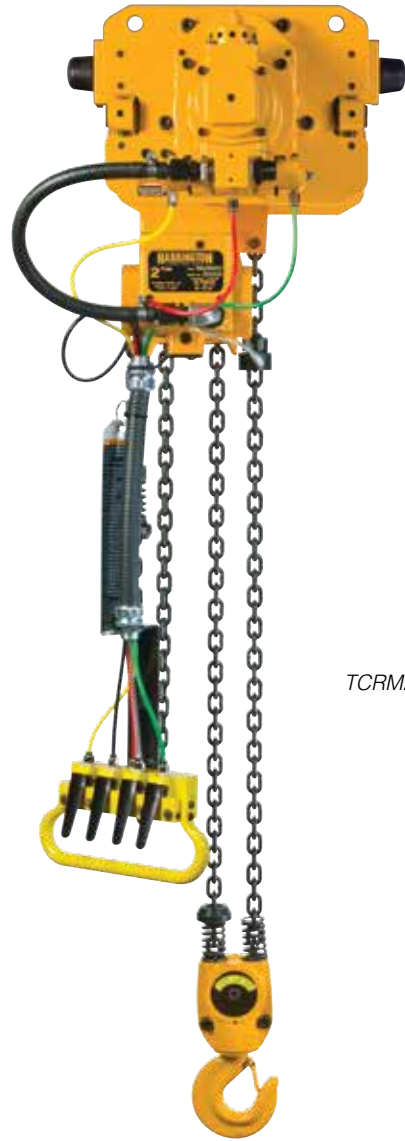
TCR2000C2
Double Fall Cord Model

TCRM, TCRP and TCRG Air Powered Hoists with Air Powered, Push and Geared Trolleys

Harrington's TCR hoists will couple with our air powered, push or geared trolleys for added mobility. The MCR air powered trolley is the ideal choice for transporting medium to heavy loads in construction and foundry applications. The economical PT or GT manual trolleys are perfect for lighter, infrequent moves and in small workshops.

Refer to page 14 for standard hoist specifications.

Features and Benefits	Standard Hoist Specifications
<p>Air Powered Trolleys</p> <p>Unlimited Duty Cycle For continuous operation</p> <p>Spring-Loaded Multi-Vane Motor Design Permits smooth operation and controlled travel</p> <p>High Strength Cast Iron Housing Proven weather resistant and durable in harsh environments</p> <p>Internal Disc Brake Protected from harsh environments</p> <p>Drop Stops & Rubber Bumpers To ensure safe operation</p> <p>Side Guide Rollers Provide additional stability and smooth travel</p> <p>Versatile Wheels Fit flat or tapered beam flange</p> <p>Trolley Muffler Produces low noise levels</p> <p>Manual Trolleys</p> <p>Shafts Standard shafts fit wide range of beams Longer shafts available for larger beams Spacers for easy adjustments</p> <p>Wheels All steel Sealed ball bearings Fit flat or tapered beam flange</p>	<p>Air Powered Trolleys</p> <p>Capacity Range 1/4 – 6 Ton</p> <p>Control Option on Trolley/Hoist Pendant control only</p> <p>Standard Pendant Length 4' less than lift (longer lengths available — maximum 30')</p> <p>Air Supply Requirement 53 cfm at 60 – 90 psi</p> <p>Air Lubrication Minimum 10 to 15 drops of oil per minute (0.2 – 0.3 cc/min.)</p> <p>Air Filtration Maximum 5 micron air filter or finer required</p> <p>Air Inlet Port 3/4" NPT</p> <p>Air Supply Hose Minimum Size 1/4 – 2 Tons — 1/2" 3 – 6 Tons — 3/4"</p> <p>Operating Conditions Temperature range +14° to 140°F Humidity 85% or less</p> <p>Manual Trolleys</p> <p>Capacity Range 1/4 – 6 Ton</p> <p>Control Option on Hoist TCRP and TCRG —Pendant and cord</p> <p>Standard Hand Chain Length On geared trolleys 2' less than lift (longer lengths available)</p>



TCRM2000P2

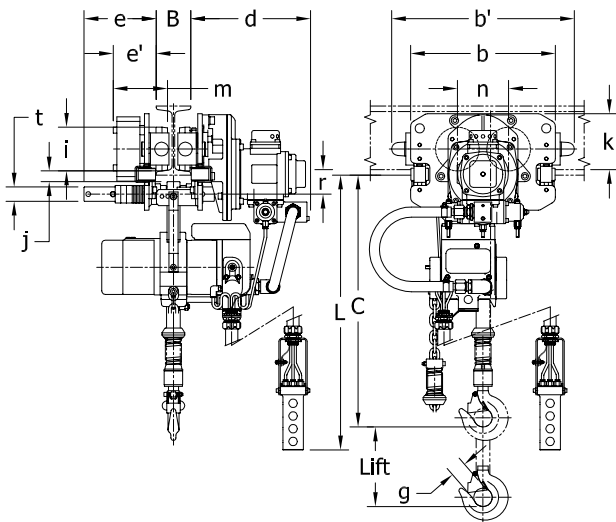
TCRM, TCRP and TCRG Air Powered Hoists with Air Powered, Push and Geared Trolleys

PENDANT MODEL WITH AIR POWERED TROLLEYS—SPECIFICATIONS

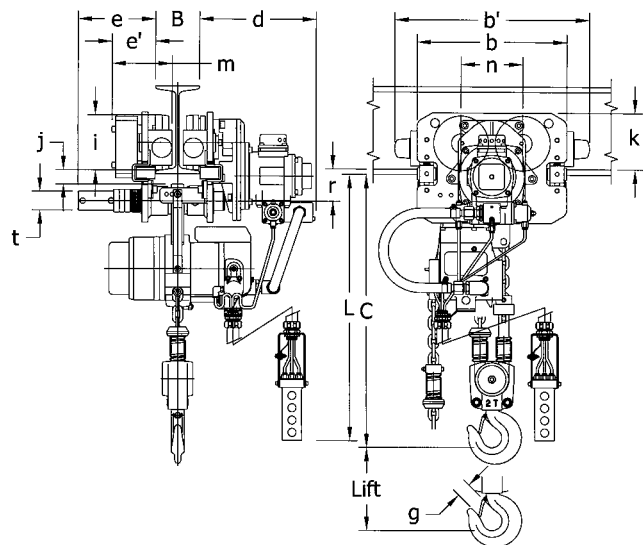
Cap. (Tons)	Product Code	Standard Lift (ft)	Push Button Hose L (ft)	Up/Down Speeds (ft/min @ 90 psi)		Traversing Speed (ft/min)	Up/Down Air Consumption Rates (cfm @ 90 psi)			Flange Width Adjustability B (in)	Minimum Allow. Radius for Curve (in)	Load Chain Diameter (mm) x Chain Fall Lines	Net Weight (lbs)	Weight for Additional One Foot of Lift (lbs)
				No Load	Full Load		TCR		MCR					
							No Load	Full Load	No Load					
1/4	TCRM250P	10	7.4	68 / 44	52 / 51	65	63 / 49	48 / 57	53	2.28 to 5.00	137.8	6.3 x 1	170	0.6
1/2	TCRM500P			68 / 44	37 / 57		63 / 49	48 / 57	53					
1	TCRM1000P2			34 / 22	19 / 29		63 / 49	48 / 57	53					
1	TCRM1000P			37 / 22	21 / 33		62 / 53	53 / 60	53					
2	TCRM2000P2			18.5 / 11	11 / 16		62 / 53	53 / 60	53	3.94 to 6.02	51.2	7.1 x 2	254	1.5
3	TCRM3000P			18 / 11	10 / 15		90 / 65	71 / 74	53					
6	TCRM6000P2			9 / 5	5 / 7		90 / 65	71 / 74	53					

PENDANT MODEL WITH AIR POWERED TROLLEYS—DIMENSIONS

Cap. (Tons)	Product Code	Headroom C (in)	b (in)	b' (in)	d (in)	e (in)	e' (in)	g (in)	i (in)	j (in)	k (in)	m (in)	n (in)	r (in)	t (in)
1/4	TCRM250P	19.3	12.4	15.6	10.3	6.2	3.7	1.2	3.7	0.9	4.8	4.6	4.4	2.0	1.2
1/2	TCRM500P	19.3	12.4	15.6	10.3	6.2	3.7	1.2	3.7	0.9	4.8	4.6	4.4	2.0	1.2
1	TCRM1000P2	21.5	12.4	15.6	10.3	6.2	3.7	1.2	3.7	0.9	4.8	4.6	4.4	2.0	1.2
1	TCRM1000P	19.5	12.4	15.6	10.3	6.2	3.7	1.2	3.7	0.9	4.8	4.6	4.4	2.0	1.2
2	TCRM2000P2	23.3	13.4	17.4	10.5	6.9	3.9	1.2	4.9	1.3	5.0	5.1	5.5	2.8	1.7
3	TCRM3000P	21.8	13.4	17.4	10.5	6.9	3.9	1.3	4.9	1.4	5.0	5.1	5.5	2.8	1.7
6	TCRM6000P2	25.9	15.7	19.8	10.8	8.1	4.3	1.7	5.5	1.4	5.5	5.7	6.1	3.9	2.3



TCRM500P



TCRM2000P2

PENDANT MODEL WITH PUSH OR GEARED TROLLEYS—SPECIFICATIONS

Cap. (Tons)	Product Code	Standard Lift (ft)	Push Button Hose L (ft)	Up/Down Speeds (ft/min @ 90 psi)		Up/Down Air Consumption Rates (cubic ft/min @ 90 psi)		Flange Width Adjustability B (in)		Minimum* Allow. Radius for Curve (in)	Load Chain Diameter (mm) x Chain Fall Lines	Net Weight (lbs)	Weight for Additional One Foot of Lift (lbs)
				No Load	Full Load	No Load	Full Load	Standard	Optional				
1/4	TCRP(TCRG)250P	10	7.5	68 / 44	52 / 51	63 / 49	48 / 57	2.28 to 4.00 (2.28 to 5.00)	4.01 to 8.00 (5.01 to 8.00) OR 8.01 to 12.00	13.8 (51.2)	6.3 x 1	76 (96)	0.6 (1.2)
1/2	TCRP(TCRG)500P		7.5	68 / 44	37 / 57	63 / 49	48 / 57				6.3 x 1	76 (96)	0.6 (1.2)
1	TCRP(TCRG)1000P2		7.5	34 / 22	19 / 29	63 / 49	48 / 57	2.28 to 5.00	5.01 to 8.00 OR 8.01 to 12.00	17.7 (51.2)	6.3 x 2	94 (108)	1.2 (1.8)
1	TCRP(TCRG)1000P		7.5	37 / 22	21 / 33	62 / 53	53 / 60				7.1 x 1	91 (105)	0.8 (1.4)
2	TCRP(TCRG)2000P2		7.5	19 / 11	11 / 16	62 / 53	53 / 60	3.23 to 6.02	6.03 to 12.00	21.7 (59.1) OR 25.6 (66.9)	7.1 x 2	113 (130)	1.5 (2.1)
3	TCRP(TCRG)3000P		8.0	18 / 11	10 / 15	90 / 65	71 / 74				11.2 x 1	190 (207)	2.0 (2.6)
6	TCRP(TCRG)6000P2		8.0	9 / 5	5 / 7	90 / 65	71 / 74	5.50 to 8.66	8.67 to 12.00	118.1	11.2 x 2	409 (444)	4.0 (4.6)

Figures in parenthesis are data for geared trolley

*Minimum flange width for curved beam: 1 Ton Push and 1/8 to 1Ton Geared = 2.87 in.
3 Ton Push and Geared = 3.50 in.

CORD MODEL WITH PUSH OR GEARED TROLLEYS—SPECIFICATIONS

Cap. (Tons)	Product Code	Standard Lift (ft)	Cord L (ft)	Up/Down Speeds (ft/min @ 90 psi)		Up/Down Air Consumption Rates (cubic ft/min @ 90 psi)		Flange Width Adjustability B (in)		Minimum* Allow. Radius for Curve (in)	Load Chain Diameter (mm) x Chain Fall Lines	Net Weight (lbs)	Weight for Additional One Foot of Lift (lbs)
				No Load	Full Load	No Load	Full Load	Standard	Optional				
1/4	TCRP(TCRG)250C	10	7.5	68 / 44	52 / 51	63 / 49	48 / 57	2.28 to 4.00 (2.28 to 5.00)	4.01 to 8.00 (5.01 to 8.00) OR 8.01 to 12.00	13.8 (51.2)	6.3 x 1	74 (94)	0.6 (1.2)
1/2	TCRP(TCRG)500C		7.5	68 / 44	37 / 57	63 / 49	48 / 57				6.3 x 1	73 (94)	0.6 (1.2)
1	TCRP(TCRG)1000C2		7.5	34 / 22	19 / 29	63 / 49	48 / 57	2.28 to 5.00	5.01 to 8.00 OR 8.01 to 12.00	17.7 (51.2)	6.3 x 2	91 (106)	1.2 (1.8)
1	TCRP(TCRG)1000C		7.5	37 / 22	21 / 33	62 / 53	53 / 60				7.1 x 1	89 (103)	0.8 (1.4)
2	TCRP(TCRG)2000C2		7.5	19 / 11	11 / 16	62 / 53	53 / 60	3.23 to 6.02	6.03 to 12.00	21.7 (59.1) OR 25.6 (66.9)	7.1 x 2	111 (128)	1.5 (2.1)
3	TCRP(TCRG)3000C		8.0	18 / 11	10 / 15	90 / 65	71 / 74				11.2 x 1	188 (205)	2.0 (2.6)
6	TCRP(TCRG)6000C2		8.0	9 / 5	5 / 7	90 / 65	71 / 74	5.50 to 8.66	8.67 to 12.00	118.1	11.2 x 2	407 (442)	4.0 (4.6)

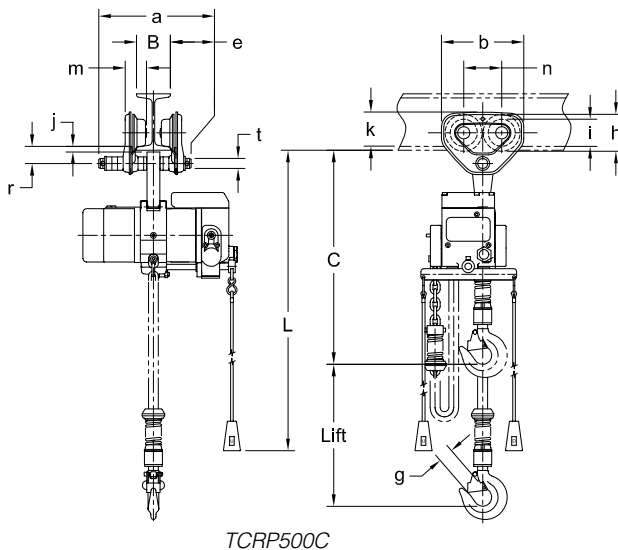
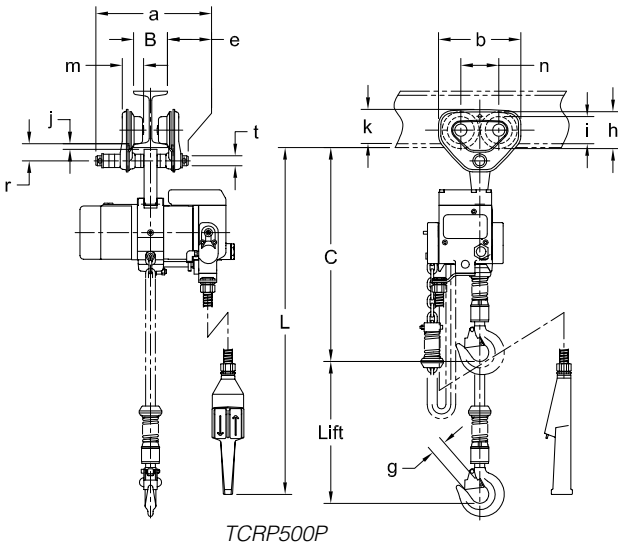
Figures in parenthesis are data for geared trolley

*Minimum flange width for curved beam: 1 Ton Push and 1/8 to 1Ton Geared = 2.87 in.
3 Ton Push and Geared = 3.50 in.

TCRM, TCRP and TCRG Air Powered Hoists with Air Powered, Push and Geared Trolleys

PENDANT AND CORD MODELS WITH PUSH TROLLEYS—DIMENSIONS

Cap. (Tons)	Product Code	Headroom C (in)	a (in)	b (in)	e (in)	g (in)	h (in)	i (in)	j (in)	k (in)	m (in)	n (in)	r (in)	t (in)
1/4	TCRP250C/P	18.6	8.0	7.2	1.8	1.1	3.2	2.36	0.5	3.0	1.9	3.3	1.5	0.87
1/2	TCRP500C/P	18.6	8.0	7.2	1.8	1.1	3.2	2.36	0.5	3.0	1.9	3.3	1.5	0.87
1	TCRP1000C2/P2	21.3	9.8	9.3	2.2	1.1	4.2	2.80	0.9	3.7	2.2	4.4	2.0	0.98
1	TCRP1000C/P	19.2	9.8	9.3	2.2	1.1	4.2	2.80	1.0	3.7	2.2	4.4	2.0	0.98
2	TCRP2000C2/P2	21.9	11.8	11.0	2.7	1.1	5.0	3.35	1.0	4.4	2.8	5.2	2.4	1.26
3	TCRP3000C/P	21.6	12.6	12.8	3.1	1.3	5.8	3.94	1.5	5.3	3.1	6.0	2.7	1.42
6	TCRP6000C2/P2	29.0	17.6	18.9	4.1	1.7	7.3	6.10	3.8	6.7	3.4	7.7	6.0	2.76



PENDANT AND CORD MODELS WITH GEARED TROLLEYS—DIMENSIONS

Cap. (Tons)	Product Code	Headroom C (in)	E (ft)	a (in)	b (in)	e (in)	g (in)	h (in)	i (in)	j (in)	k (in)	k' (in)	m (in)	n (in)	r (in)	t (in)	u (in)
1/4	TCRG250C/P	19.0	10.5	20.9	9.3	13.3	1.1	4.2	2.80	1.0	3.7	4.2	2.2	4.4	2.0	0.98	7.2
1/2	TCRG500C/P	19.0	10.5	20.9	9.3	13.3	1.1	4.2	2.80	1.0	3.7	4.2	2.2	4.4	2.0	0.98	7.2
1	TCRG1000C2/P2	21.3	10.5	20.9	9.3	13.3	1.1	4.2	2.80	0.9	3.7	4.2	2.2	4.4	2.0	0.98	7.2
1	TCRG1000C/P	19.2	10.5	20.9	9.3	13.3	1.1	4.2	2.80	1.0	3.7	4.2	2.2	4.4	2.0	0.98	7.2
2	TCRG2000C2/P2	21.9	10.5	24.8	11.0	13.3	1.1	5.0	3.35	1.0	4.4	4.3	2.8	5.2	2.4	1.26	7.2
3	TCRG3000C/P	21.6	11.0	25.4	12.8	15.9	1.3	5.8	3.94	1.5	5.3	4.5	3.1	6.0	2.7	1.42	7.2
6	TCRG6000C2/P2	29.0	11.4	20.6	18.9	7.0	1.7	7.3	6.10	3.8	6.7	6.5	10.6	7.7	6.0	2.76	8.4

