

# DCEZD-83

The Model DCEZD-83 is a three strand drag chain conveyor designed to handle pallets. With EZLogic® Zone Controller, pallets are accumulated with zero pressure, reducing the possibility of collision that may result in product damage.

## Drag Chain Conveyor

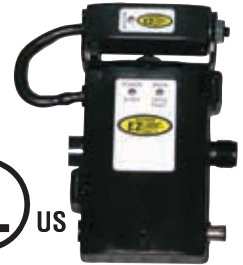
- 3 Strand Design
- EZDrive™ System (Individual zone drive)
- EZLogic® Accumulation System
- Shaft Mounted Drives
- Adjustable DCS-Type Floor Supports Available



OVERALL LENGTH "A"	FRAME WIDTH STRAND CENTERS	50 1/2"	56 1/2"	62 1/2"	68 1/2"	74 1/2"	80 1/2"	86 1/2"	92 1/2"	98 1/2"	104 1/2"
10'	WEIGHTS	1255	1305	1355	1405	1455	1505	1555	1605	1655	1705
Per Foot Weight		77	80	83	86	89	92	95	98	101	104

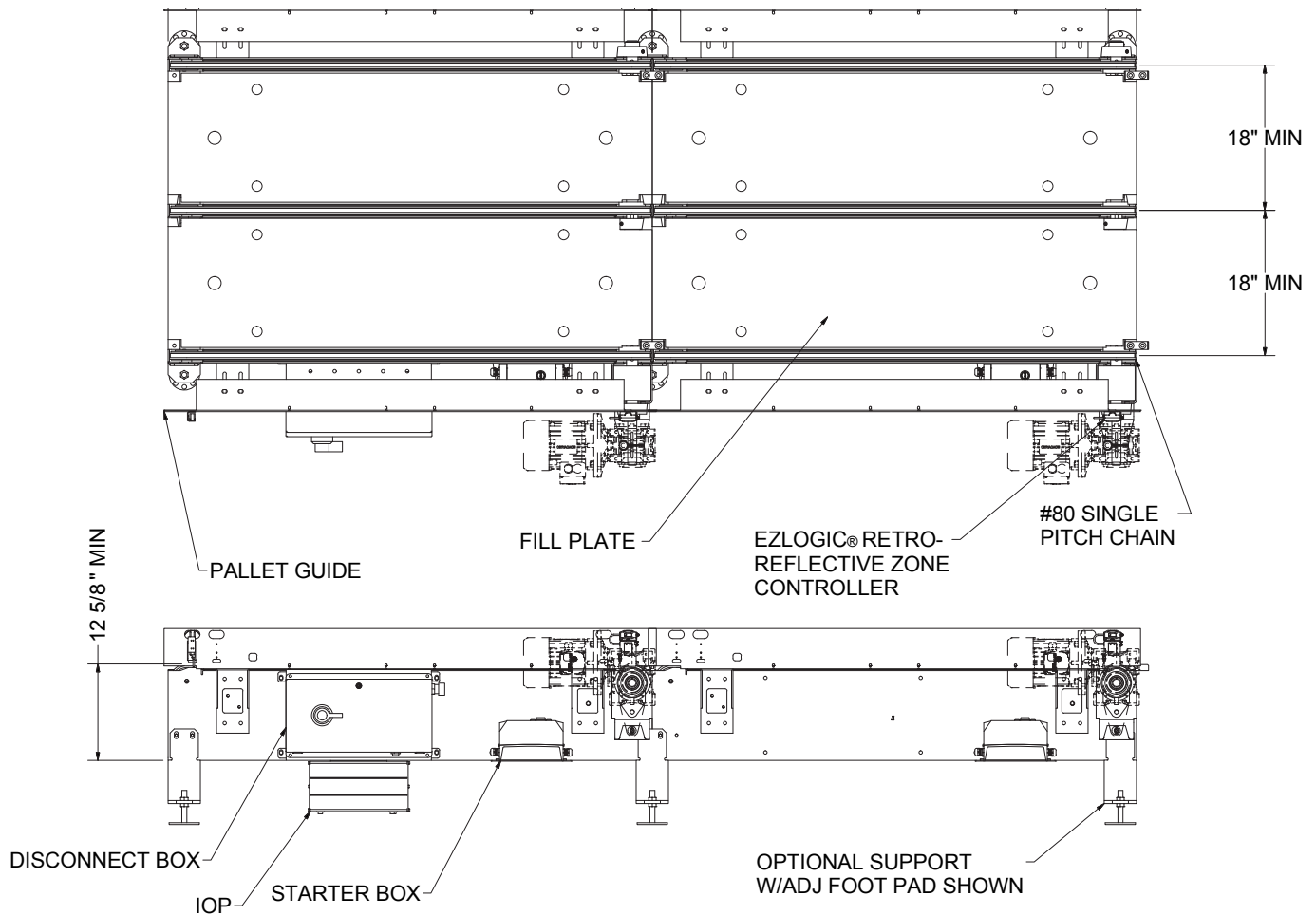


U.S. Patent Numbers  
7,243,781 • 7,591,366  
7,905,345 • 6,860,381  
Other Patents Pending.



## HOW IT WORKS

The conveyor is made up of accumulation zones. Each zone contains an individual zone drive interfaced to Hytrol's EZLogic® Zone Controllers which sense product presence and control the accumulation and release of the zones by starting and stopping the zone drives.



## • STANDARD SPECIFICATIONS

**CHAIN** – #80 single pitch conveyor chain (straight sidebar).

**CHAIN GUIDE** – UHMW polyethylene.

**FRAME** – 12 in. x 4 ga. powder painted formed steel angle. 4 ga. formed coupling channels located at infeed and discharge ends of each module.

**DRIVE SPROCKETS** – Hardened #80 with 1 1/16 in. dia. steel shaft.

**BEARINGS** – Sealed, pre-lubricated, self aligning, ball bearings on drive.

**EZLogic® ZONE CONTROLLER** – Located in each zone. NEMA 1, 2, IP62. UL Approved.

**ACCUMULATION ZONES** – 60 in. long sections with EZLogic® Accumulation.

**IOP** – Provides 27VDC, 100 watt power for EZLogic® accumulation system - contains slots for 4 input/output boards. Requires 120VAC or 230VAC single phase input.

**MOTOR** – 1 HP – 230/460/575V – 3 PH. 60 HZ. gearmotor, shaft mounted at discharge end of zone.

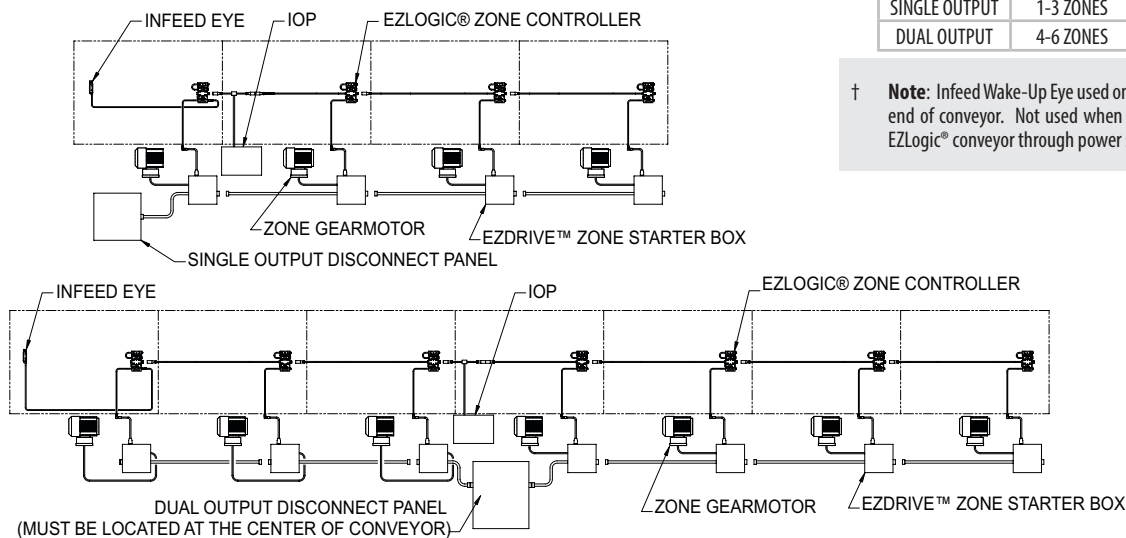
**CONVEYING SPEED** – 30 FPM.

**CAPACITY** – 4,000 lbs. maximum per zone at 30 FPM.

**FLOOR SUPPORTS** – Now supplied as optional equipment.

DISCONNECT PANEL	230V	460V
	3 Ph. 60 Hz	3 Ph. 60 Hz
SINGLE OUTPUT	1-3 ZONES	1-6 ZONES
DUAL OUTPUT	4-6 ZONES	7-12 ZONES

† **Note:** Infeed Wake-Up Eye used only on terminating infeed end of conveyor. Not used when connecting to upstream EZLogic® conveyor through power supply isolation cable.



### EZLOGIC® ACCUMULATION SYSTEM

Hytrol's EZLogic®, or "Electronic Zero-pressure Logic" Accumulation System, combines the sensing accuracy of photo-electronics with discrete electronic logic control without the use of a PLC or pneumatic logic components. The EZLogic® Accumulation System provides many features including:

Zero-Pressure Accumulation of Product

Zone Stop - Function is built in. Any zone may be transformed into a workstation by connecting a dry contact switching device to the auxiliary port of the EZLogic® Zone Controller. This feature is always used at the discharge end of the conveyor line, and may be used at any other location where a zone stop is required.

Dynamic Zone Allocation – Automatically adjusts the conveyor's zone length to accommodate the length of the product being conveyed. Improves conveyor efficiency and system flexibility.

Sleep Feature – Stops chains from running when no product is present, reducing noise, reducing energy consumption and extending chain life.

Unloading Zone Feature - Zone On Delay – Timer delays the zone immediately upstream from a removed load, preventing it from driving for a set time. This feature is ideal where loads are routinely removed from the conveyor with a lift truck.

Loading Zone Feature – Zone detects load being placed onto the conveyor with a fork truck and stops the zone from driving and automatically prevents any loads in zones upstream from entering loading area.

## • OPTIONAL EQUIPMENT

**FLOOR SUPPORTS** – DC835 Type floor supports are available with a wide range of adjustment. Specify top of chain elevation. One support required at every bed joint and ends of conveyor. Holes in feet for lagging to floor.

**ACCUMULATION ZONES** – 48 in., 54 in., and 66 in. intermediate sections with EZLogic® Accumulation. Contact factory for other lengths.

**CONVEYING SPEED** – Speeds other than 30 FPM will require gearmotor change (contact factory).

**EZDrive™ System** – Variable Frequency Drive for adjusting conveying speed or adjusting acceleration and deceleration time.

**EZLogic®** – See EZLogic® Components Page.