

19GSRS/199SRS

Medium-Duty Gravity Roller Spur Conveyor

Gravity Roller Spurs are used to transfer products from one conveying line to another. They can be used in merging or diverging applications. Ideally used where numerous lines must transfer onto a main conveyor line.

- 12 Widths
- 30-, 45-, and 90-Degree Spurs Available
- Right- or Left-Hand Units

90-degree spur shown in photo.



Overall Width	Between Rail Width	30° Spur				
		Model No. 1.9 in. Roller (Unplated)		"A"	Weights (lbs.)	
		16 Ga. - Galvanized	9 Ga. - Unplated		16 Ga.	9 Ga.
16"	13"	19GSRS-13-30	199SRS-13-30	36"	113	135
18"	15"	19GSRS-15-30	199SRS-15-30	39"	121	146
20"	17"	19GSRS-17-30	199SRS-17-30	45"	128	156
22"	19"	19GSRS-19-30	199SRS-19-30	48"	135	165
24"	21"	19GSRS-21-30	199SRS-21-30	51"	137	169
26"	23"	19GSRS-23-30	199SRS-23-30	54"	143	177
28"	25"	19GSRS-25-30	199SRS-25-30	60"	150	187
30"	27"	19GSRS-27-30	199SRS-27-30	63"	156	194
34"	31"	19GSRS-31-30	199SRS-31-30	72"	159	202
36"	33"	19GSRS-33-30	199SRS-33-30	75"	162	204
40"	37"	19GSRS-37-30	199SRS-37-30	84"	169	213
42"	39"	19GSRS-39-30	199SRS-39-30	87"	172	217

Overall Width	Between Rail Width	45° Spur				
		Model No. 1.9 in. Roller (Unplated)		"B"	Weights (lbs.)	
		16 Ga. - Galvanized	9 Ga. - Unplated		16 Ga.	9 Ga.
16"	13"	19GSRS-13-45	199SRS-13-45	27"	88	108
18"	15"	19GSRS-15-45	199SRS-15-45	30"	96	116
20"	17"	19GSRS-17-45	199SRS-17-45	33"	102	124
22"	19"	19GSRS-19-45	199SRS-19-45	36"	109	132
24"	21"	19GSRS-21-45	199SRS-21-45	39"	114	140
26"	23"	19GSRS-23-45	199SRS-23-45	42"	119	147
28"	25"	19GSRS-25-45	199SRS-25-45	45"	127	156
30"	27"	19GSRS-27-45	199SRS-27-45	48"	132	163
34"	31"	19GSRS-31-45	199SRS-31-45	54"	136	170
36"	33"	19GSRS-33-45	199SRS-33-45	57"	140	175
40"	37"	19GSRS-37-45	199SRS-37-45	63"	148	185
42"	39"	19GSRS-39-45	199SRS-39-45	66"	151	193

Overall Width	Between Rail Width	90° Spur						
		Model No. 1.9 in. Roller (Unplated)		"C"	"D"	Inside Radius	Weights (lbs.)	
		16 Ga. - Galvanized	9 Ga. - Unplated				16 Ga.	9 Ga.
16"	13"	19GSRS-13-90	199SRS-13-90	42"			112	108
18"	15"	19GSRS-15-90	199SRS-15-90	42"			120	116
20"	17"	19GSRS-17-90	199SRS-17-90	48"			131	124
22"	19"	19GSRS-19-90	199SRS-19-90	48"	33"	32 1/2"	140	132
24"	21"	19GSRS-21-90	199SRS-21-90	48"			152	140
26"	23"	19GSRS-23-90	199SRS-23-90	54"			184	147
28"	25"	19GSRS-25-90	199SRS-25-90	54"			193	156
30"	27"	19GSRS-27-90	199SRS-27-90	54"			203	163
34"	31"	19GSRS-31-90	199SRS-31-90	66"			240	170
36"	33"	19GSRS-33-90	199SRS-33-90	78"	48 1/2"	48"	250	175
40"	37"	19GSRS-37-90	199SRS-37-90	78"			270	185
42"	39"	19GSRS-39-90	199SRS-39-90	78"			284	193

All weights in catalog are conveyor weights only. Accessories, crating, etc., are not included.



19GSRS/199SRS

Standard Specifications

WIDTHS – Between rail width: 13 in., 15 in., 17 in., 19 in., 21 in., 23 in., 25 in., 27 in., 31 in., 33 in., 37 in., and 39 in.

FRAME – 3 1/2 in. deep x 1 1/2 in. flange x 10 ga. powder-painted, formed steel channel with bolt-in cross members on 30- and 45-degree spurs; welded cross members on 90-degree spurs.

BUTT COUPLINGS – Bolt-on type for bolting sections together.

SPUR ANGLE – 30, 45, and 90 degree. Right- or left-hand applications, specify.

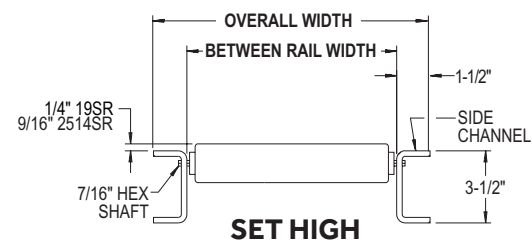
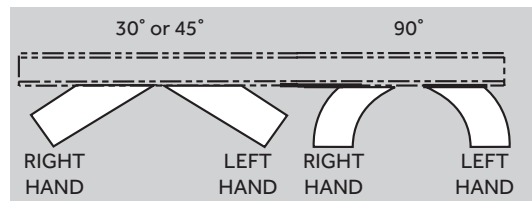
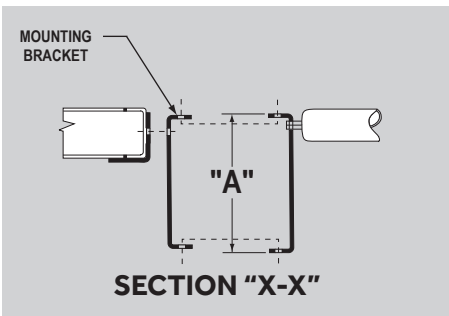
ROLLERS – 19GSRS utilizes 1.9 in. dia. x 16 ga. galvanized rollers. 199SRS utilizes 1.9 in. dia. x 9 ga. unplated steel tubing. Bearings are labyrinth sealed and grease packed.

AXLES – 7/16 in. hex shaft, spring loaded.

MOUNTING BRACKET – Bracket is supplied to attach spur to side channels of other conveyors, specify.

CAPACITY – Same per foot capacity as straight sections. See Gravity Roller Conveyor (1.9 in dia. x 9 and 16 ga.) charts.

For Conveyor Channel SIZE "A"	Order By Mounting Bracket No.	Drawing Number
3 1/2" x 10 Ga.	K-2	G-571-2
6 1/2" x 12 Ga.	K-4	G-571-4



Note:
When Between Rail Widths exceed 21 in., double rollers are supplied standard on 90-degree spurs.

