

1/4" BOLLARD COVER SPECS

Product Details:

Design: Dome Top Bollard Cover

PPH: 1/4" High-Density Polyethylene Thermoplastic with Ultra-Violet and Anti-Static additives

BPD: 1/4" Low-Density Polyethylene Thermoplastic with Ultra-Violet and Anti-Static additives

PPH Color: Yellow, Red, Blue, Brown, Gray, Black, White, 402 Gray, Green and Orange

BPD Color: Yellow, Red, Black

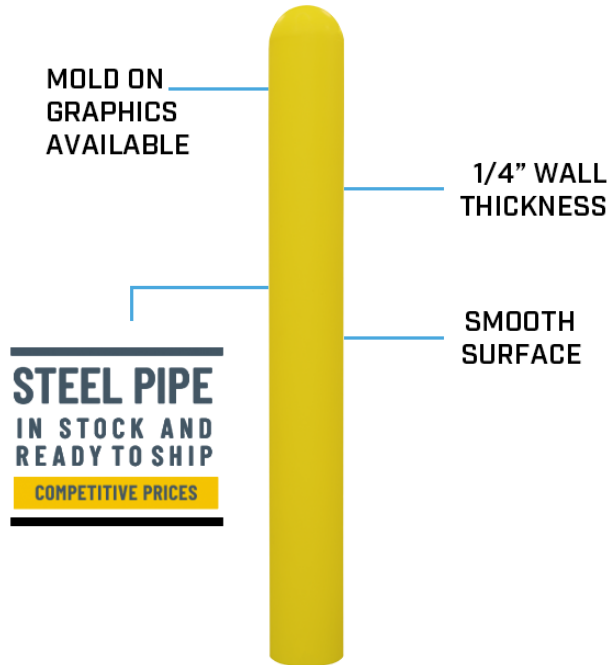
Standard Bollard Sizes: Fits 3"-12" (diameter) pipe sizes

Standard Height: 52"- 84"

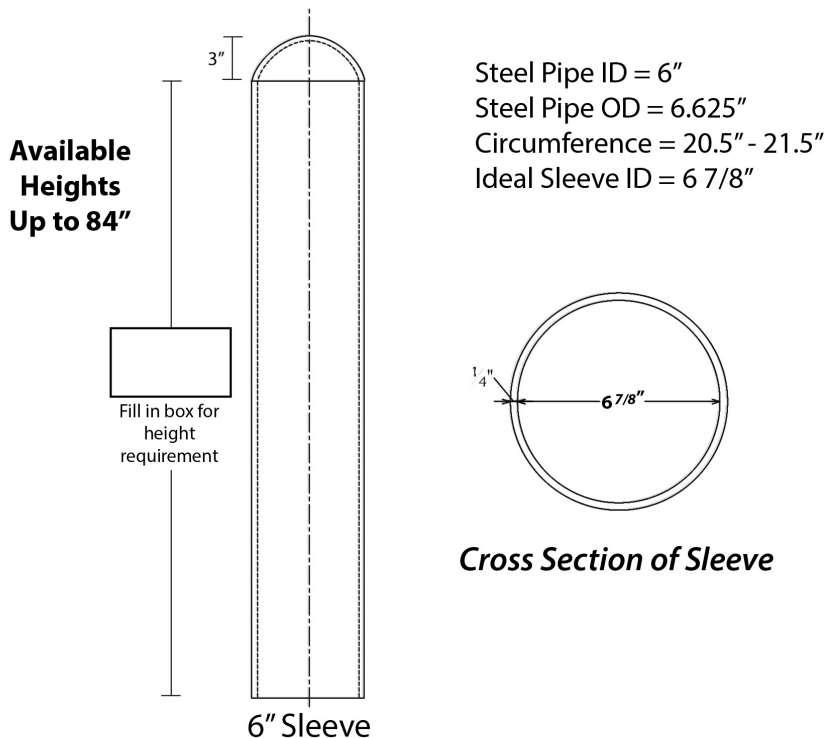
Installation: Install with neoprene adhesive tape

*Installation tape included

Pipe OD	Ideal Sleeve Size	Sleeve ID	Pipe Circumference	Pipe Size
3 1/2"	3"	3 5/8"	11"	3"
4"	3 1/2"	4 1/8"	12 1/2"	3 1/2"
4 1/2"	4"	5"	14"-15"	4"
5 1/2"	5 1/2"	6"	17 1/2"	5"
6 5/8"	6"	7"	20 1/2"-21 1/2"	6"
7 1/2"	7 1/2"	8"	24"	7"
8 5/8"	8"	9"	27"-27 1/2"	8"
10 3/4"	10"	11"	34"-34 1/2"	10"
12 3/4"	12"	13"	37 5/8"	12"



Example - 6" Pipe



Distributed by
Cisco-Eagle
 www.cisco-eagle.com
 888-877-3861