

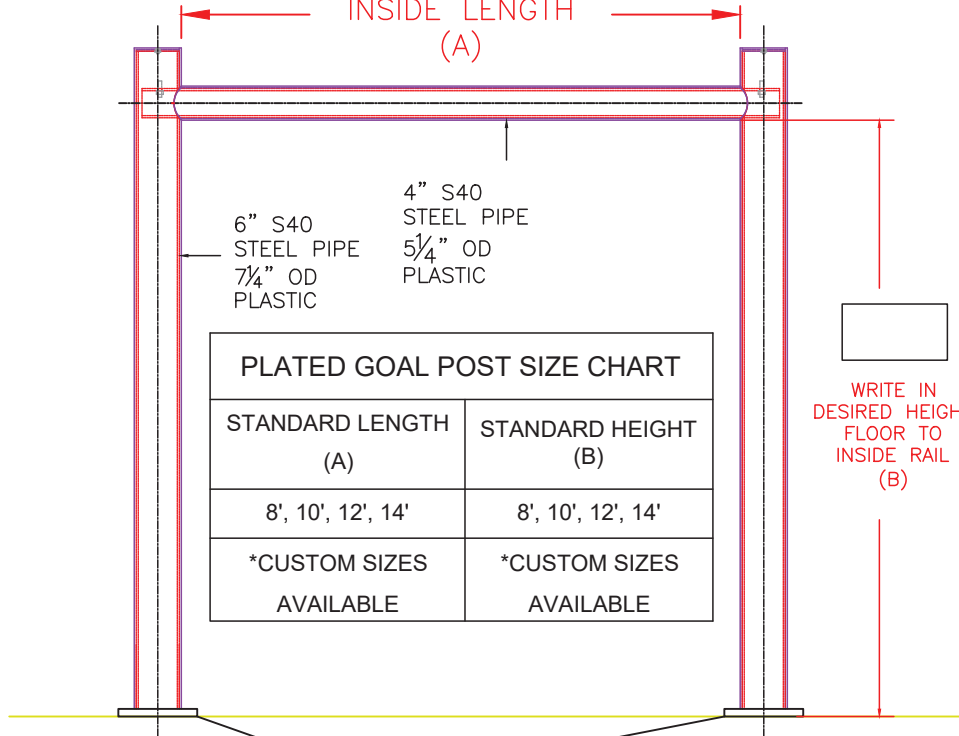


**IDEAL SHIELD
PLATED GOAL POST
PART# GP-YL-WIDTH-HEIGHT-PLATED**

*COLOR CODE



WRITE IN DESIRED
INSIDE LENGTH
(A)



6" S40
STEEL PIPE
7 1/4" OD
PLASTIC

4" S40
STEEL PIPE
5 1/4" OD
PLASTIC

PLATED GOAL POST SIZE CHART	
STANDARD LENGTH (A)	STANDARD HEIGHT (B)
8', 10', 12', 14'	8', 10', 12', 14'
*CUSTOM SIZES AVAILABLE	*CUSTOM SIZES AVAILABLE

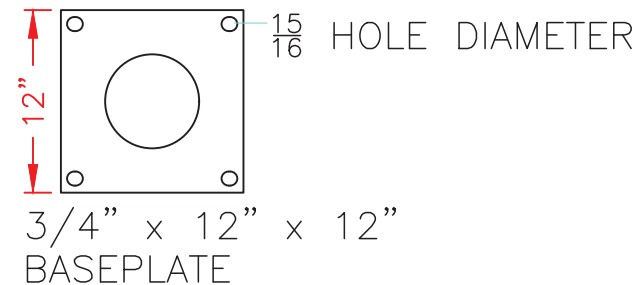
WRITE IN
DESIRED HEIGHT
FLOOR TO
INSIDE RAIL
(B)

3/4" x
12" x 12"
FLANGE
DETAIL 1

QTY.

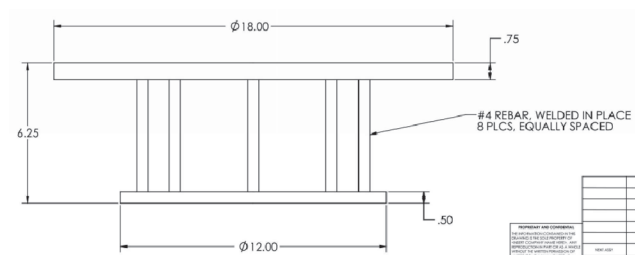


DETAIL 1



SPECIAL INSTRUCTIONS:

YES SPOOL OPTION
NO



THIS DRAWING AND ALL THE INFORMATION THEREON IS THE PROPERTY OF THE IDEAL SHIELD. IS CONFIDENTIAL AND MUST NOT BE MADE PUBLIC, NOR COPIED, NOR USED, TO THE DISADVANTAGE OF SAID IDEAL SHIELD AND IS SUBJECT TO RETURN ON DEMAND.

COPYRIGHT 2003 IDEAL SHIELD

NO.	REVISIONS	DATE	APPROVED

ideal shield
2525 Clark St.
Detroit, MI 48209

PROJECT	CUSTOMER	DESCRIPTION	DESIGNED BY	APPROVED BY	DATE
		PLATED GOAL POST	D.P.		
			PROJECT NO.		SCALE: NA
			DRAWN		DRAWING NO.
			MATERIAL: PIPE & PLASTIC		SHEET 1 OF 1