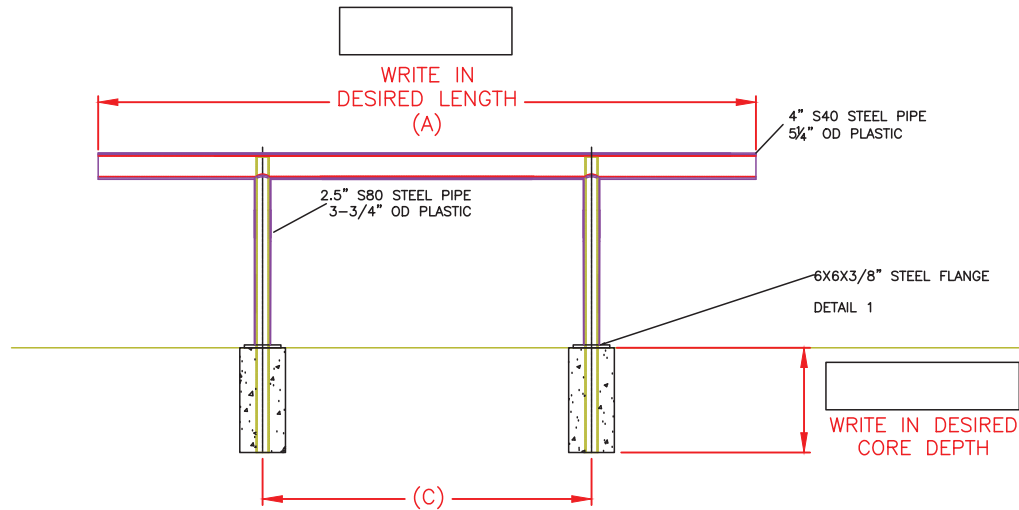


IDEAL SHIELD  
 CORED ONE LINE STANDARD GUARDRAIL  
 PART#: SGR-1-LENGTH-HEIGHT-CORED

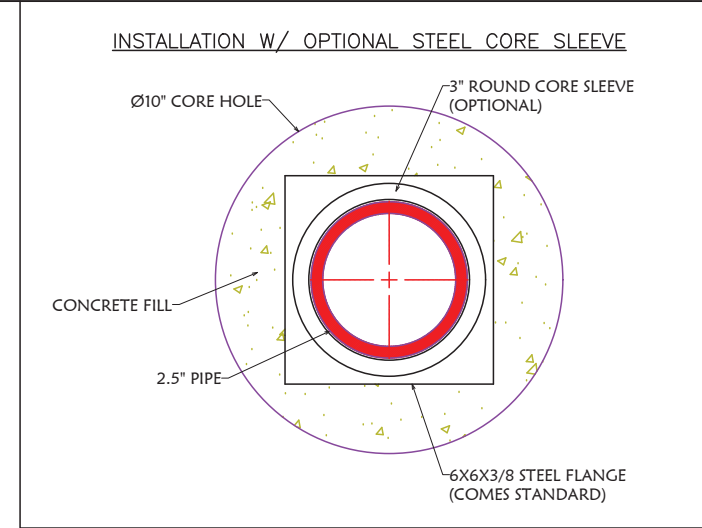
ONE LINE STANDARD GUARDRAIL SIZE CHART		
STANDARD LENGTH (A)	STANDARD HEIGHT (B)	POST TO POST LENGTH (C)
4'-0"	14.75", 27", 36", 42"	2'-0"
6'-0"	14.75", 27", 36", 42"	3'-0"
8'-0"	14.75", 27", 36", 42"	4'-0"
10'-0"	14.75", 27", 36", 42"	5'-0"
12'-0"	14.75", 27", 36", 42"	6'-0"
CUSTOM	CUSTOM	(C)=(A)/2



TOP VIEW

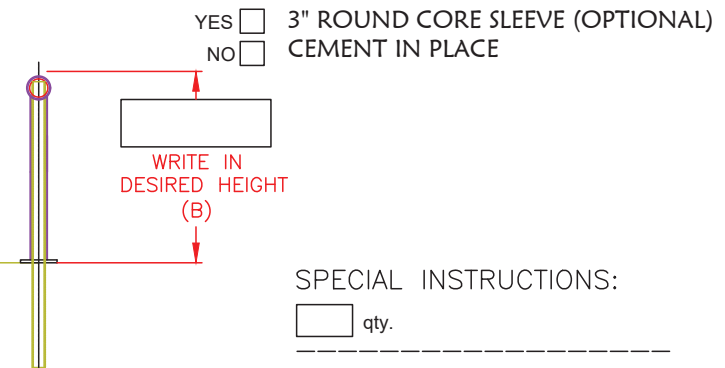


FRONT VIEW



INSTALLATION:  
 FOR INSTALLATION SET PRODUCT IN AT LEAST 12"  
 INCH DEEP HOLE AND FILL WITH CONCRETE

DETAIL 1



SPECIAL INSTRUCTIONS:

[ ] qty.  
 \_\_\_\_\_  
 \_\_\_\_\_  
 \_\_\_\_\_

SIDE VIEW

THIS DRAWING AND ALL THE INFORMATION THEREON IS THE PROPERTY OF THE IDEAL SHIELD. IS CONFIDENTIAL AND MUST NOT BE MADE PUBLIC, NOR COPIED, NOR USED, TO THE DISADVANTAGE OF SAID IDEAL SHIELD AND IS SUBJECT TO RETURN ON DEMAND.  
 COPYRIGHT 2003 IDEAL SHIELD

NO.	REVISIONS	DATE	APPROVED

2525 Clark St.  
 Detroit, MI 48209

PROJECT	CUSTOMER	DESCRIPTION	DESIGNED BY	APPROVED BY	DATE
		IDEAL SHIELD STANDARD GUARDRAIL CORED	DP		
			PROJECT NO. -		SCALE
			DRAWN BY		DRAWING NO.
			MATERIAL: STEEL & HDPE PLASTIC		SHEET 1 OF 1