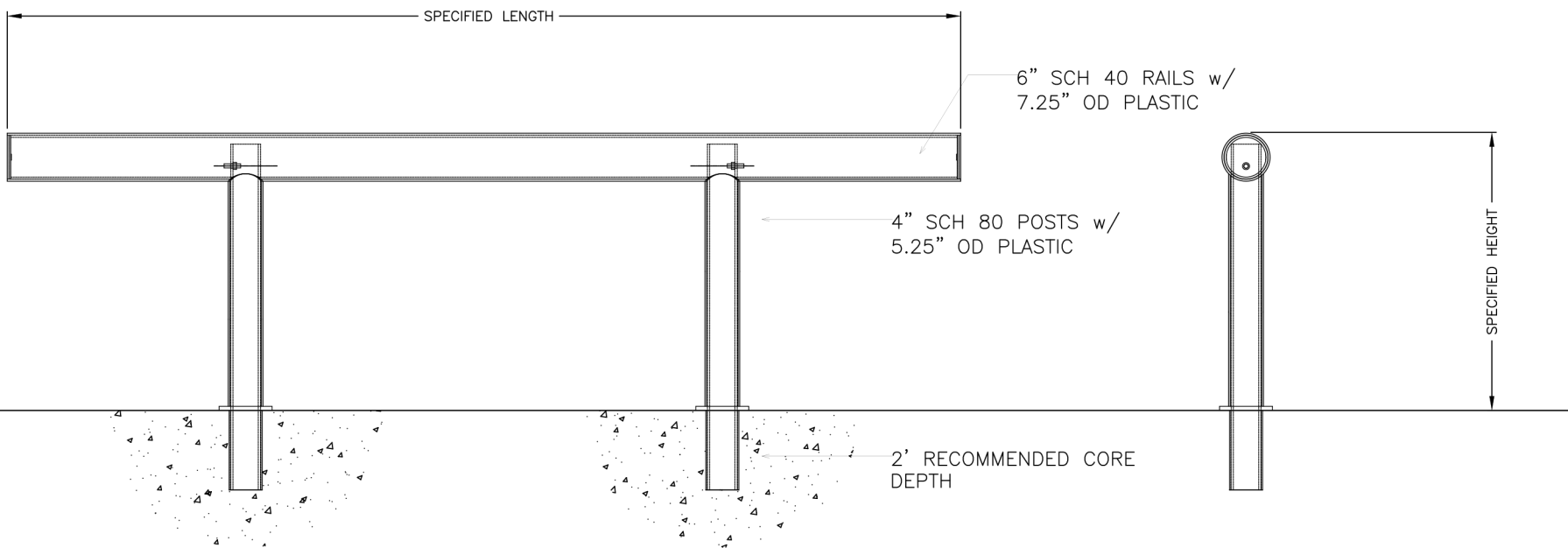
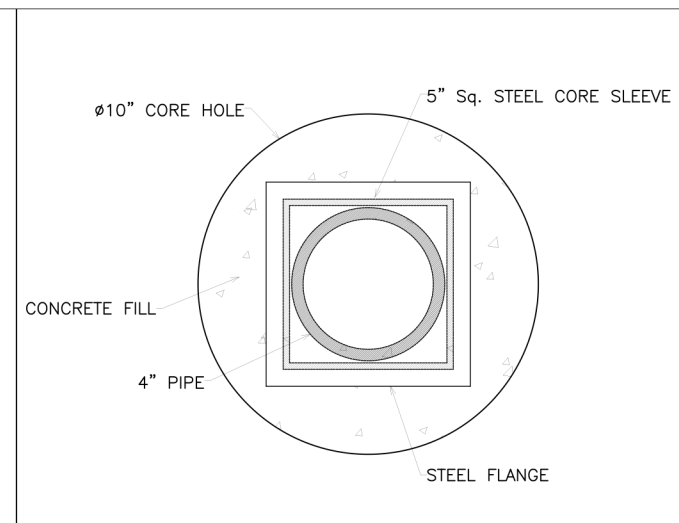


STANDARD LENGTHS	STANDARD HEIGHTS
48", 72", 96", 120", 144"	14 3/4", 27", 36", 42"



NO.	REVISIONS	DATE	APPROVED

IDEAL SHIELD
 2525 Clark St.
 Detroit, MI 48209

PROJECT
IDEAL SHIELD HEAVY GUARD RAIL

CUSTOMER

DESCRIPTION
ONE LINE CORED

DRAWN BY:	APPROVED BY:	DATE:
GCC		1/1/2019
PROJECT NO.:	HGR1	SCALE:
PANEL:	HDPE PLASTIC	DRAWING NO.:
MATERIAL:	STEEL & HDPE	1
		SHEET 1 OF 1