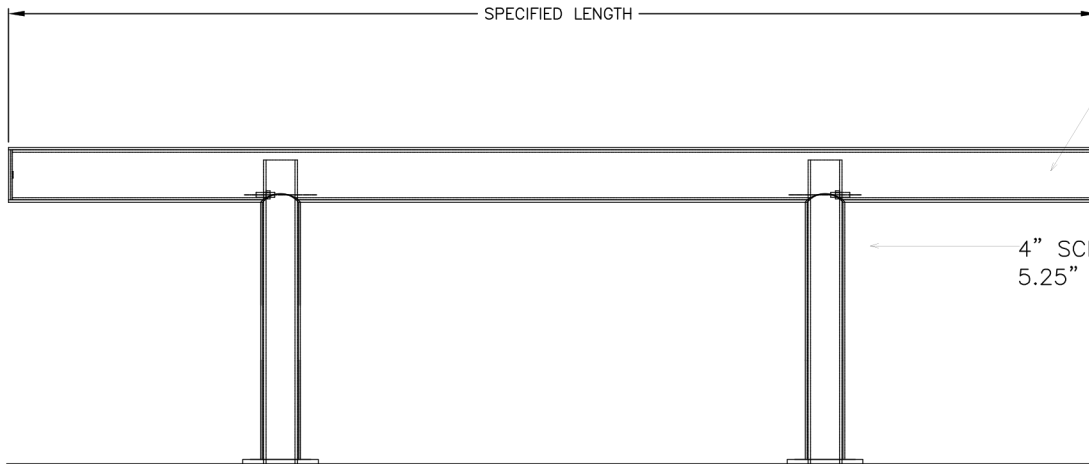
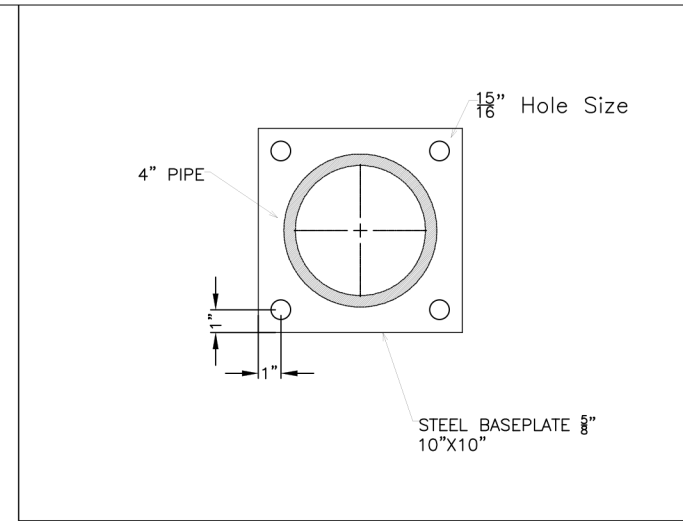
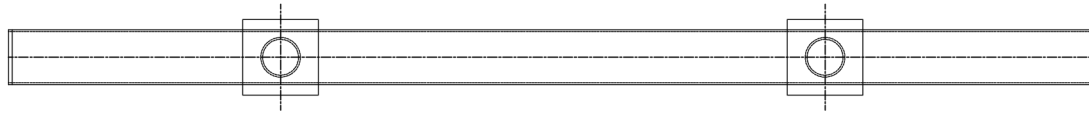
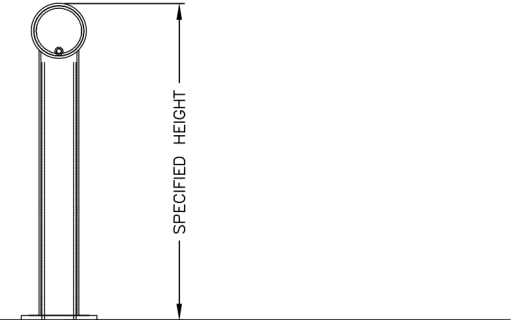


STANDARD LENGTHS	STANDARD HEIGHTS
48", 72", 96", 120", 144"	14 3/4", 27", 36", 42"



6" SCH 40 RAILS w/  
7.25" OD PLASTIC

4" SCH 80 POSTS w/  
5.25" OD PLASTIC



NO.	REVISIONS	DATE	APPROVED



PROJECT
IDEAL SHIELD HEAVY GUARDRAIL

CUSTOMER

DESCRIPTION
ONE LINE PLATED

DRAWN BY:	APPROVED BY:	DATE:
GCC		
PROJECT NO.:		SCALE:
DRAWING NO.:		
MATERIAL:		SHEET 1 OF 1
STEEL & HDPE		