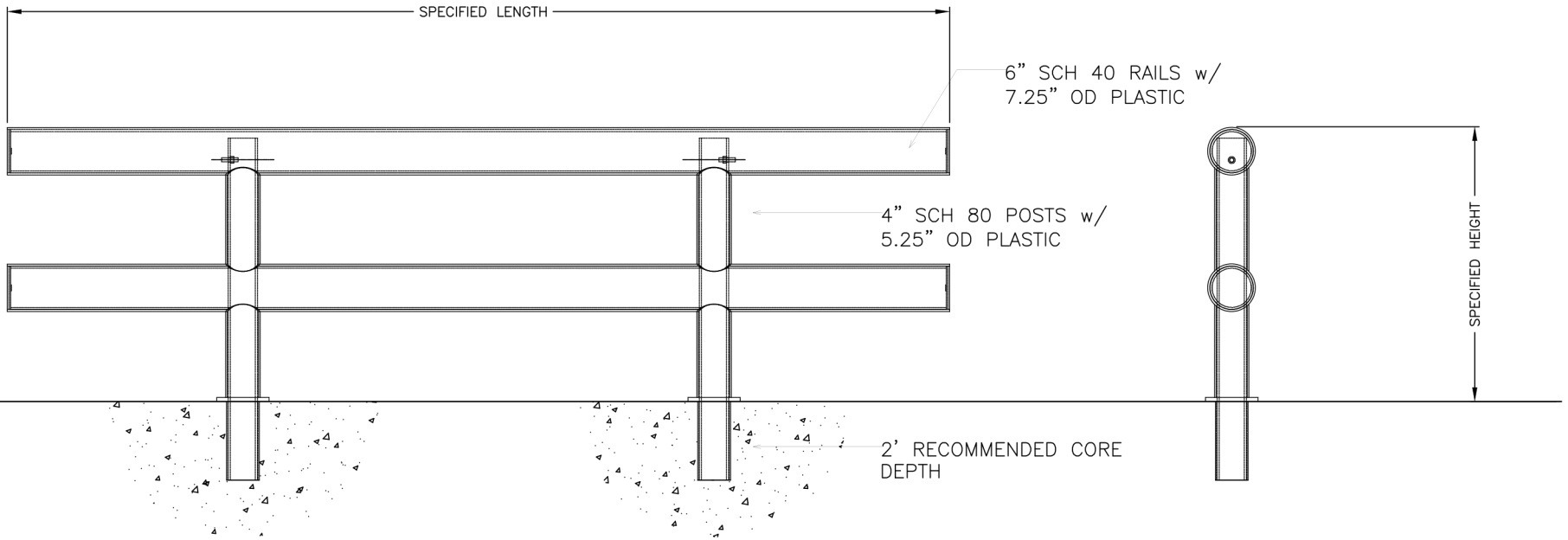
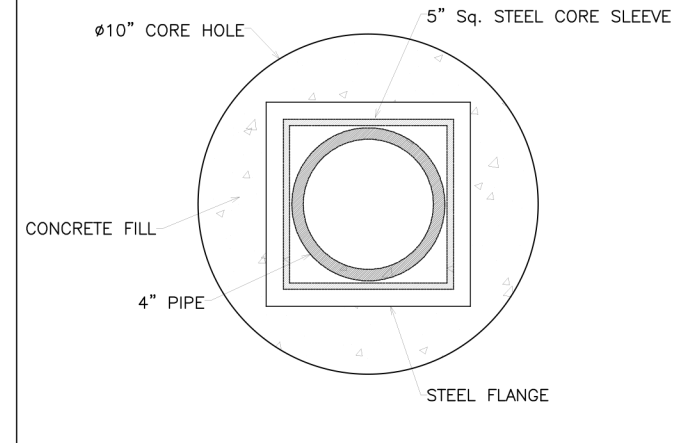
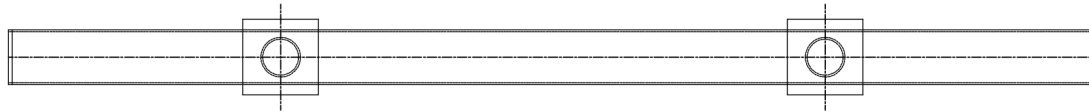


STANDARD LENGTHS	STANDARD HEIGHTS
48", 72", 96", 120", 144"	27", 36", 42"



NO.	REVISIONS	DATE	APPROVED

IDEAL SHIELD
 2525 Clark St.
 Detroit, MI 48209

PROJECT
IDEAL SHIELD HEAVY GUARDRAIL

CUSTOMER

DESCRIPTION
TWO LINE CORED

DRAWN BY:	APPROVED BY:	DATE:
GCC		1/1/2019
PROJECT NO.:	HGR2	SCALE:
PANEL:	HDPE PLASTIC	DRAWING NO.:
MATERIAL:	STEEL & HDPE	SHEET 1 OF 1