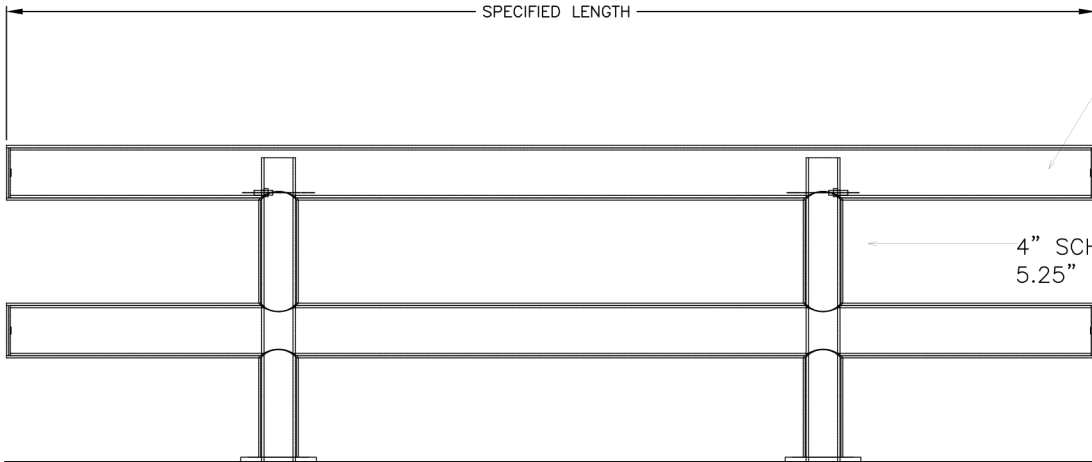
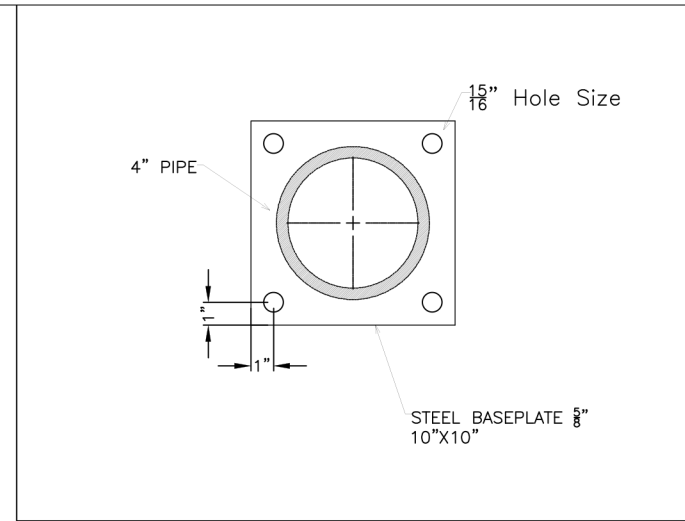
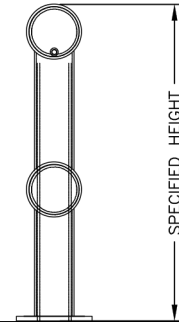


STANDARD LENGTHS	STANDARD HEIGHTS
48", 72", 96", 120", 144"	27", 36", 42"



6" SCH 40 RAILS w/
7.25" OD PLASTIC

4" SCH 80 POSTS w/
5.25" OD PLASTIC



NO.	REVISIONS	DATE	APPROVED

IDEAL SHIELD
 2525 Clark St.
 Detroit, MI 48209

PROJECT	CUSTOMER	DESCRIPTION
IDEAL SHIELD HEAVY GUARDRAIL		TWO LINE PLATED

DRWING BY:	APPROVED BY:	DATE:
GCC		
PROJECT NO.:		SCALE:
PANEL:		DRAWING NO.:
		1
MATERIAL:		SHEET 1 OF 1
STEEL & HDPE		