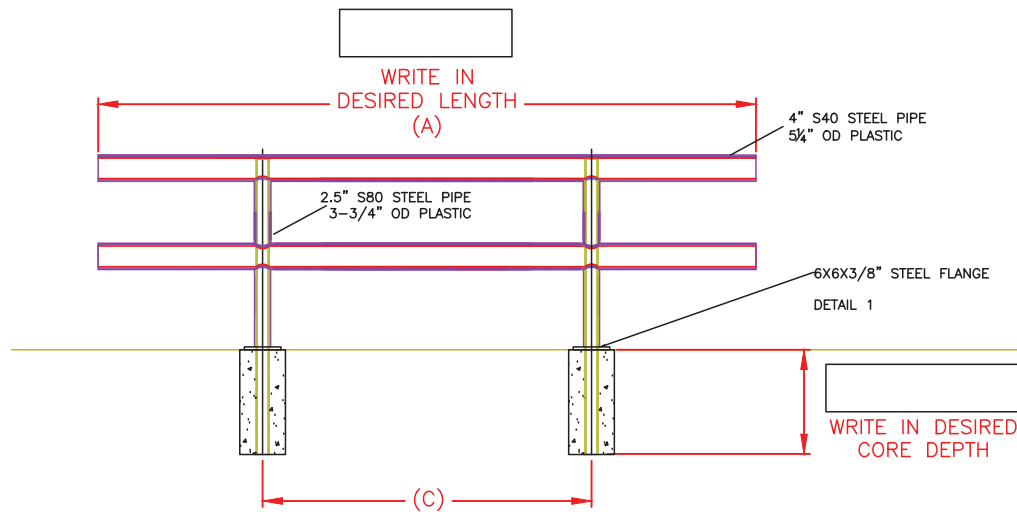


IDEAL SHIELD
 CORED TWO LINE STANDARD GUARDRAIL
 PART#: SGR-2-LENGTH-HEIGHT-CORED

TWO LINE STANDARD GUARDRAIL SIZE CHART		
STANDARD LENGTH (A)	STANDARD HEIGHT (B)	POST TO POST LENGTH (C)
4'-0"	27",36",42"	2'-0"
6'-0"	27",36",42"	3'-0"
8'-0"	27",36",42"	4'-0"
10'-0"	27",36",42"	5'-0"
12'-0"	27",36",42"	6'-0"
CUSTOM	CUSTOM	(C)=(A)/2

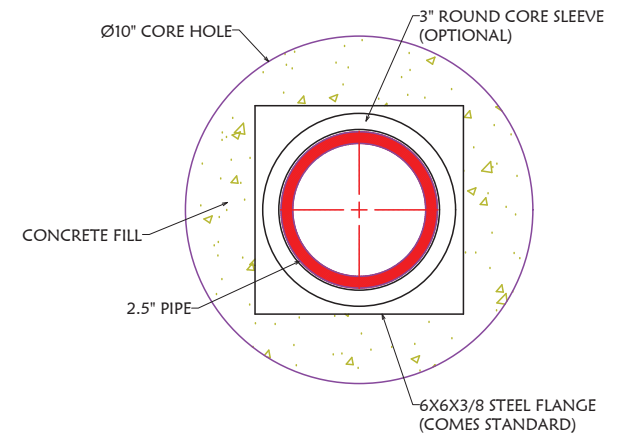


TOP VIEW



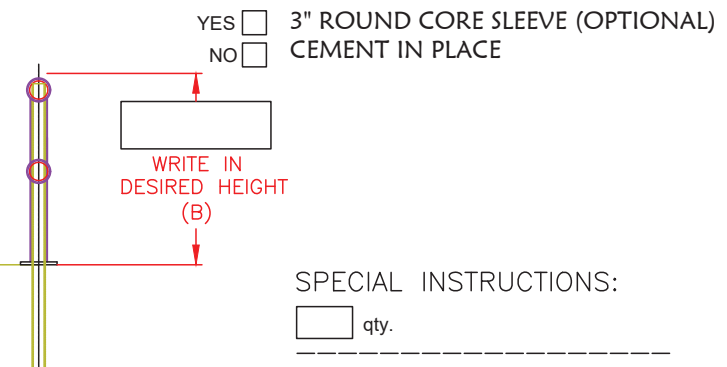
FRONT VIEW

INSTALLATION W/ OPTIONAL STEEL CORE SLEEVE



INSTALLATION:
 FOR INSTALLATION SET PRODUCT IN AT LEAST 12"
 INCH DEEP HOLE AND FILL WITH CONCRETE

DETAIL 1



SPECIAL INSTRUCTIONS:

qty.

SIDE VIEW

NO.	REVISIONS	DATE	APPROVED

PROJECT

CUSTOMER

DESCRIPTION
IDEAL SHIELD STANDARD GUARDRAIL CORED

DRAWN BY	APPROVED BY	DATE
DP		
PROJECT NO.		SCALE
DRAWING NO.		
SHEET	OF	
1	1	