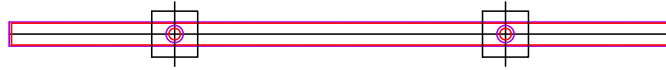
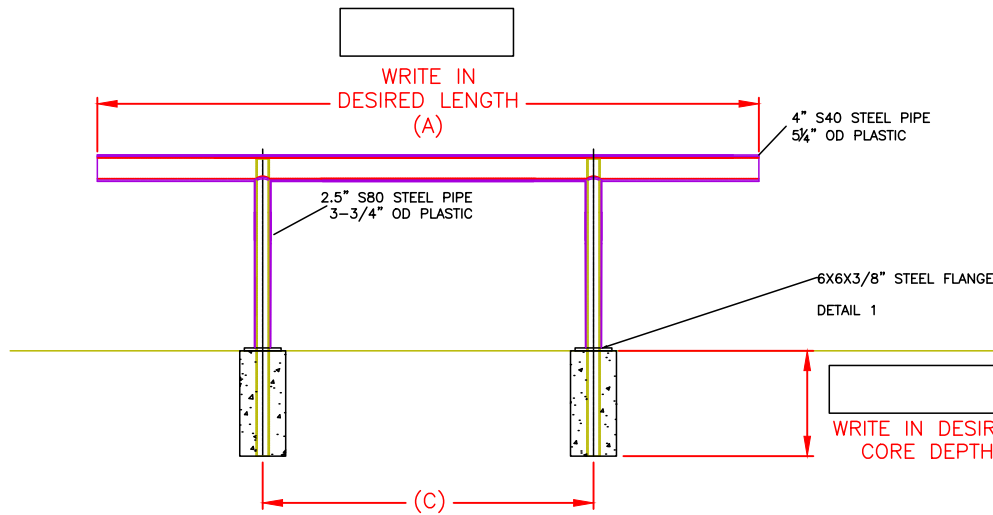


CORED ONE LINE STANDARD GUARDRAIL
 PART#: SGR-1-LENGTH-HEIGHT-CORED

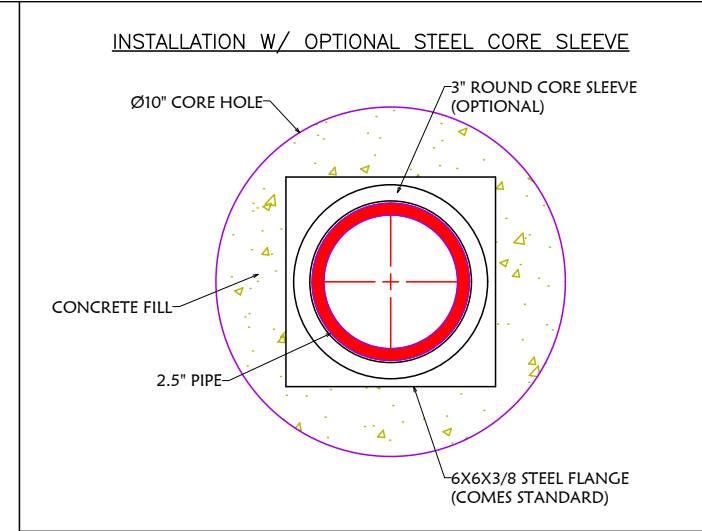
ONE LINE STANDARD GUARDRAIL SIZE CHART		
STANDARD LENGTH (A)	STANDARD HEIGHT (B)	POST TO POST LENGTH (C)
4'-0"	14.75", 27", 36", 42"	2'-0"
6'-0"	14.75", 27", 36", 42"	3'-0"
8'-0"	14.75", 27", 36", 42"	4'-0"
10'-0"	14.75", 27", 36", 42"	5'-0"
12'-0"	14.75", 27", 36", 42"	6'-0"
CUSTOM	CUSTOM	(C)=(A)/2



TOP VIEW

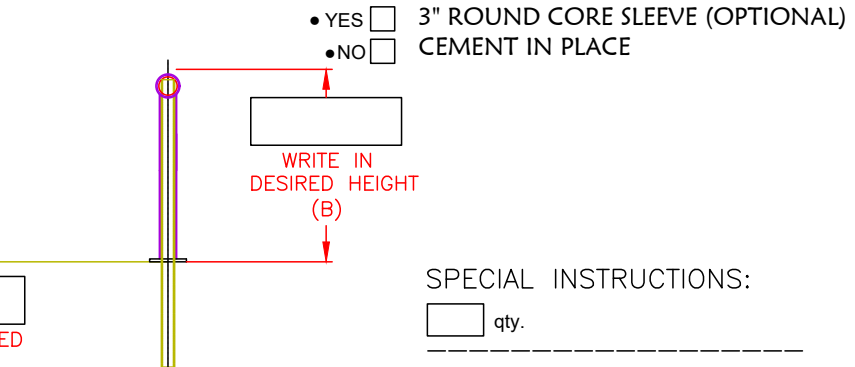


FRONT VIEW



INSTALLATION:
 FOR INSTALLATION SET PRODUCT IN AT LEAST 12"
 INCH DEEP HOLE AND FILL WITH CONCRETE

DETAIL 1



SIDE VIEW

SPECIAL INSTRUCTIONS:

qty. _____

NO.	REVISIONS	DATE	APPROVED

PROJECT

CUSTOMER

DESCRIPTION

DRAWN BY: DP	APPROVED BY:	DATE:
PROJECT NO:		SCALE:
FRG#:		DRAWING NO.:
MATERIAL: STEEL & HDPE PLASTIC	SHEET 1	OF 1

***SIGNATURE REQUIRED
 FOR SUBMITTAL**