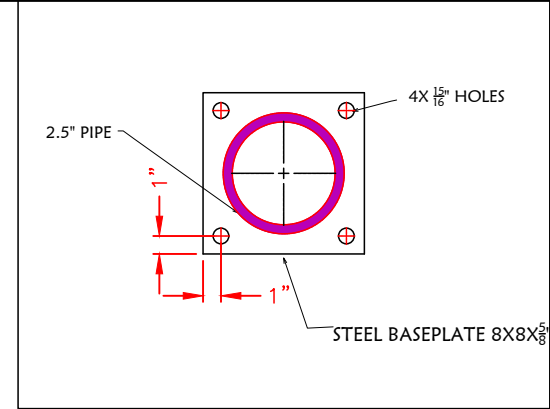
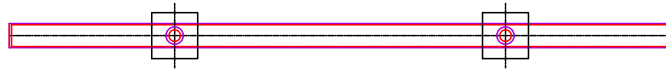


PLATED ONE LINE STANDARD GUARDRAIL
 PART#: SGR-1-LENGTH-HEIGHT-PLATED

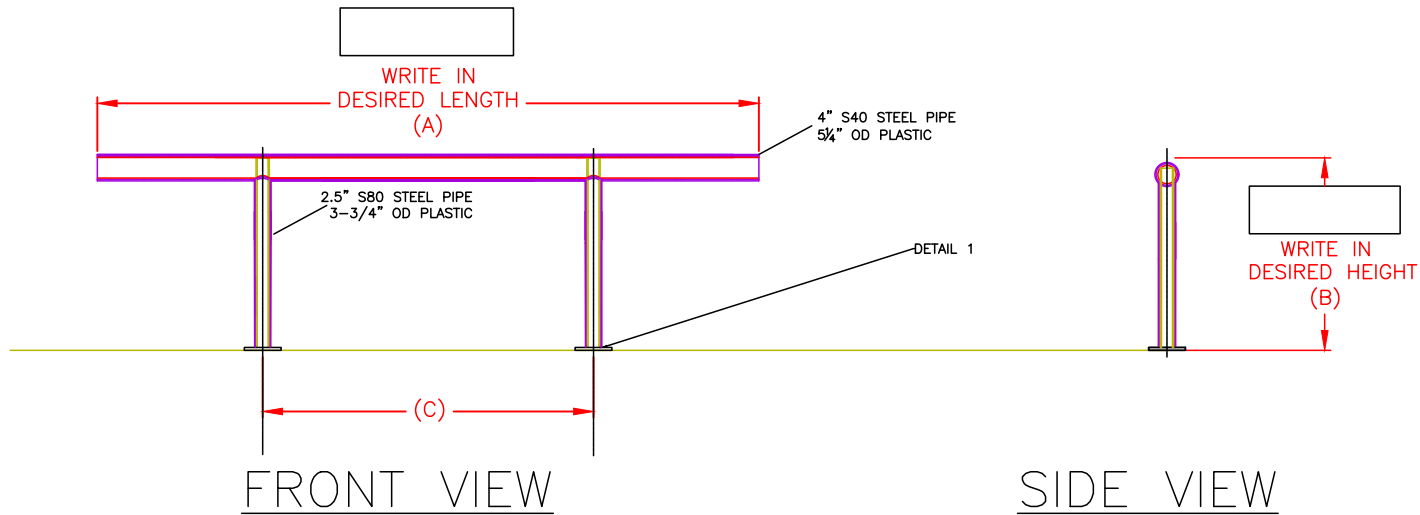
ONE LINE STANDARD GUARDRAIL SIZE CHART		
STANDARD LENGTH (A)	STANDARD HEIGHT (B)	POST TO POST LENGTH (C)
4'-0"	14.75", 27",36",42"	2'-0"
6'-0"	14.75", 27",36",42"	3'-0"
8'-0"	14.75", 27",36",42"	4'-0"
10'-0"	14.75", 27",36",42"	5'-0"
12'-0"	14.75", 27",36",42"	6'-0"
CUSTOM	CUSTOM	(C)=(A)/2



DETAIL 1



TOP VIEW



FRONT VIEW

SIDE VIEW

SPECIAL INSTRUCTIONS:

qty.

NO.	REVISIONS	DATE	APPROVED

PROJECT

CUSTOMER

DESCRIPTION

DRAWN BY: DP	APPROVED BY:	DATE:
PROJECT NO: -		SCALE:
FRG#:		DRAWING NO.:
MATERIAL: STEEL & HDPE PLASTIC		SHEET 1 OF 1

***SIGNATURE REQUIRED FOR SUBMITTAL**